

Service Manual

General Description

Panasonic **VHS**

PAL

Adjustment Procedures

Block / Schematic Diagrams

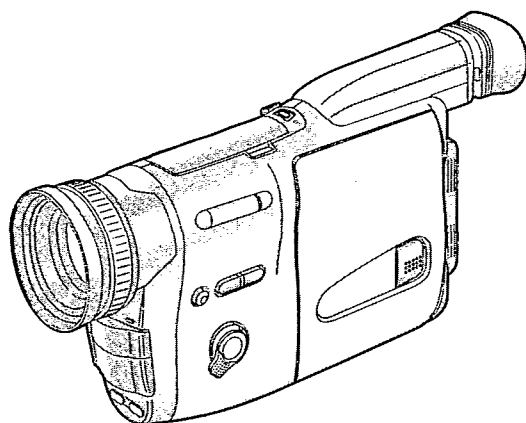
HQ

Exploded Views / Parts List

VHS-C Movie

NV-RX70 EG/B/A
EN/EE

DL-MECHANISM



SPECIFICATIONS

ITEM	SPECIFICATION	ITEM	SPECIFICATION
POWER	Source: Battery Pack, 4.8 V DC AC Adaptor; 6.0 V DC Consumption; 6.9 W (Battery operation)	VIDEO	HEADS: 4 rotary heads, 1 flying erase head
VIDEO RECORDING SYSTEM	4 rotary heads, helical scanning system PAL	AUDIO	OUTPUT: PHONO CONNECTOR; 1.0 Vp-p, 75Ω terminated
TAPE FORMAT	VHS-C Cassette Tape (Tape width 12.7 mm)	HEAD:	1 Stationary head (Normal-Mono)
TAPE SPEED	SP mode: 23.39 mm/s LP mode: 11.7 mm/s (Except NV-RX70EG) Record/ Playback Time SP mode: 60 min. with NV-EC60 LP mode: 120 min. with NV-EC60 (Except NV-RX70EG)	OUTPUT: PHONO CONNECTOR;	-6dB, 47 kΩ loaded/less than 1 kΩ
CAMERA	PICK-UP ELEMENT: CCD (Charge Coupled Device)	OPERATING TEMPERATURE	0 ~ 40°C
	STANDARD ILLUMINATION: 1,400 lux	OPERATING HUMIDITY	10 ~ 80%
	MINIMUM REQUIRED ILLUMINATION: 0.7 Lux (Low Light Mode)	WEIGHT	Approx. 770 g (without Battery Pack)
	LENS: 17 : 1 Wide-angle Power Zoom Lens with Digital AI Auto Focus, Auto Iris, Auto Focus System, F1.4 (3.9 ~ 66.3 mm), Filter Diameter 43 mm	DIMENSIONS	76 (W)×139 (H)×268 (D) mm
	IMAGE SENSOR: 1/3 inch CCD Image Sensor	STANDARD ACCESSORIES	1 pc. AC Adaptor 1 pc. Battery Pack 1 pc. Cassette Adaptor 1 pc. Shoulder Strap 1 pc. DC Input Cable 1 pc. Battery for Cassette Adaptor Operation 1 pc. AC Cable 1 pc. AV Output Cable 1 pc. Remote Controller 1 pc. Remote Controller Holder 1 pc. Battery for Remote Controller 1 pc. 21 pin Adaptor (NV-RX70EG/EN)
VIEWFINDER: 0.5 inch Colour LCD Viewfinder			

Weight and dimensions shown are approximate.
Specifications are subject to change without notice.

© 1997 Matsushita Electric Industrial Co., Ltd.
All rights reserved. Unauthorized copying and
distribution is a violation of law.

Panasonic

△ WARNING

This service information is designed for experienced repair technicians only and is not designed for use by the general public. It does not contain warnings or cautions to advise non-technical individuals of potential dangers in attempting to service a product. Products powered by electricity should be serviced or repaired only by experienced professional technicians. Any attempt to service or repair the product or products dealt with in this service information by anyone else could result in serious injury or death.

INTRODUCTION 1

This service manual contains technical information which will allow service personnel's to understand and service this model.

Section 1 Presents you with some general information of features and controls, enabling you to become familiar with each function.

Section 2 Contributes to your electrical adjustment as well disassemble and replacement procedures.

Section 3 Contain block diagrams which offers you information for checking and understanding each circuit.

Schematic diagrams which give you detailed information such as waveforms, voltage data, function e.t.c..

Section 4 Contain exploded views and parts list.

Please place orders using the parts list and not the drawing reference numbers.

If the circuit is changed or modified, this information will be followed by supplement service manual to be filed with original service manual.

Note 1 : Adjustment procedure for Mechanism-Chassis is separate volume.

Please refer to following manual for detail of adjustment procedure for Mechanism-Chassis.

Order number for adjustment procedure of Mechanism-Chassis : VMD9412M130

Note 2 : The Electric adjustment is supported only by TATSUJIN software which is uploaded on item 13 of CS-Net in Pana-Van.

Please download applicable software from CS-Net and use it.

(You can make copies freely.)

Note 3 : Thses movie camera uses AC Adaptor are VSK0317D and VSK0317E.

VSK0317D : Used by NV-RX70EG/B/EN/ENH/EE

VSK0317E : Used by NV-RX70A

The Service manual for AC Adaptor is separate volume.

Order number for AC Adaptor-----VSK0317D/E

: VMD9412M130

INTRODUCTION 2

NOTE : NV-RX70EN

NV-RX70EN series has to versions depends on countries.

Detail as follows.

Model-No(Version)	NV-RX70EN	NV-RX70ENH
PACKING CASE	VPG9015	VPG9016
AC-CABLE	VJA0998	VJA0940

CONTENTS

SERVICE INFORMATION

SECTION 1	GENERAL DESCRIPTIONS	1-1
SECTION 2	ADJUSTMENT PROCEDURES	2-1
2-1.	DISASSEMBLY PROCEDURES	2-1
2-2.	DISASSEMBLY PROCEDURES OF LENS UNIT	2-6
2-3.	ELECTRICAL ADJUSTMENT PROCEDURES FOR E.V.F. SECTION	2-7
SECTION 3	BLOCK DIAGRAMS & SCHEMATIC DIAGRAMS	3-1
3-1.	ABBREVIATIONS	3-1
3-2.	PROCESS BLOCK DIAGRAM	3-3
3-3.	SENSOR BLOCK DIAGRAM	3-6
3-4.	LENS DRIVE BLOCK DIAGRAM	3-8
3-5.	POWER BLOCK DIAGRAM	3-10
3-6.	LUMINANCE/CHROMINANCE BLOCK DIAGRAM	3-12
3-7.	SYSTEM CONTROL & SERVO BLOCK DIAGRAM	3-14
3-8.	EVF BLOCK DIAGRAM	3-18
3-9.	LENS DRIVE SCHEMATIC DIAGRAM	3-19
3-10.	PROCESS SCHEMATIC DIAGRAM	3-22
3-11.	SENSOR SCHEMATIC DIAGRAM	3-26
3-12.	POWER SCHEMATIC DIAGRAM	3-28
3-13.	SYSTEM CONTROL & SERVO SCHEMATIC DIAGRAM	3-30
3-14.	SUB SERVO SCHEMATIC DIAGRAM	3-36
3-15.	LUMINANCE/CHROMINANCE SCHEMATIC DIAGRAM	3-38
3-16.	AUDIO SCHEMATIC DIAGRAM	3-42
3-17.	MAIN [Lens Drive, Process, Sensor, Power, System Control & Servo, Sub Servo, Luminance/Chrominance, Audio Section] C.B.A.	3-44
	MAIN C.B.A. ADDRESS INFORMATION	3-48
3-18.	AV JACK C.B.A.	3-51
3-19.	MF SENSOR C.B.A.	3-51
3-20.	MIC/FRONT, FRONT FLEXIBLE CARD, AV JACK, MF SENSOR SCHEMATIC DIAGRAM	3-52
3-21.	MIC/FRONT C.B.A.	3-54
3-22.	CCD FLEXIBLE CARD SCHEMATIC DIAGRAM	3-56
3-23.	CCD FLEXIBLE CARD C.B.A.	3-56
3-24.	DC JACK SCHEMATIC DIAGRAM	3-57
3-25.	EVF (A) SCHEMATIC DIAGRAM	3-58
3-26.	EVF (A) [EVF, DC JACK] C.B.A.	3-60
3-27.	EVF (B)(C) SCHEMATIC DIGRAM	3-62
3-28.	EVF (C) C.B.A.	3-62
3-29.	EVF (B) C.B.A.	3-63
SECTION 4	EXPLODED VIEWS & PARTS LIST	4-1
4-1.	EXPLODED VIEWS & MECHANICAL REPLACEMENT PARTS LIST	4-1
	1. VTR MECHANISM SECTION (1)	4-1
	2. VTR MECHANISM SECTION (2)	4-3
	3. VTR MECHANISM SECTION (3)	4-4
	4. CAMERA LENS SECTION	4-5
	5. FRAME & CASING PARTS SECTION	4-6
	6. PACKING PARTS & ACCESSORIES SECTION	4-8
4-2.	ELECTRICAL REPLACEMENT PARTS LIST	4-10

SERVICE CAUTION

Preparation to make the service position

1. Remove the all connections on the main C.B.A.
2. Remove the following parts from the side case(L).
 - a. AV-Jack b. Power SW c. Zoom SW d. Camera/VTR Operation
3. To make the service position, use the following the extension cables list.
 (During repair and adjustment, it is not necessary to connect FP301 which connects the digital operation assembly.)

1-1. Service Extension Cables.

Use the following extension cables when checking or adjusting individual circuit boards.

Ref.	Part No.	PIN	Part name	Connection	Q'ty	Remarks
(a)	VFK0670	18	Flat Cable	FP6001 - Mech.Chassis	1	
(b)	VFK0670	18	Flat Cable	FP2002 - Capstan Motor	1	
(c)	VFK0978	6	Flat Cable	FP6002 - Mech.Chassis	1	
(d)	VFK0929	12	Flat Cable	PP201 - CCD	1	
(e)	VFK0980	9	Flat Cable	FP4001 - A/C HEAD	1	
(f)	VFK0913	18	Flat Cable	FP701 - LENS UNIT	1	
(g)	VFKW0F0139	7	Attachment Connector	FP2001 - CYLINDER	1	Included in Tatsujin-Kit
	VFKW0F0140	7	Attachment Connector		1	
	VFKW0F0001	28	Common Cable		1	
(h)	VFK0668	24	Extension Cable	PS1001 - PP1601	1	

How to use extension cables.

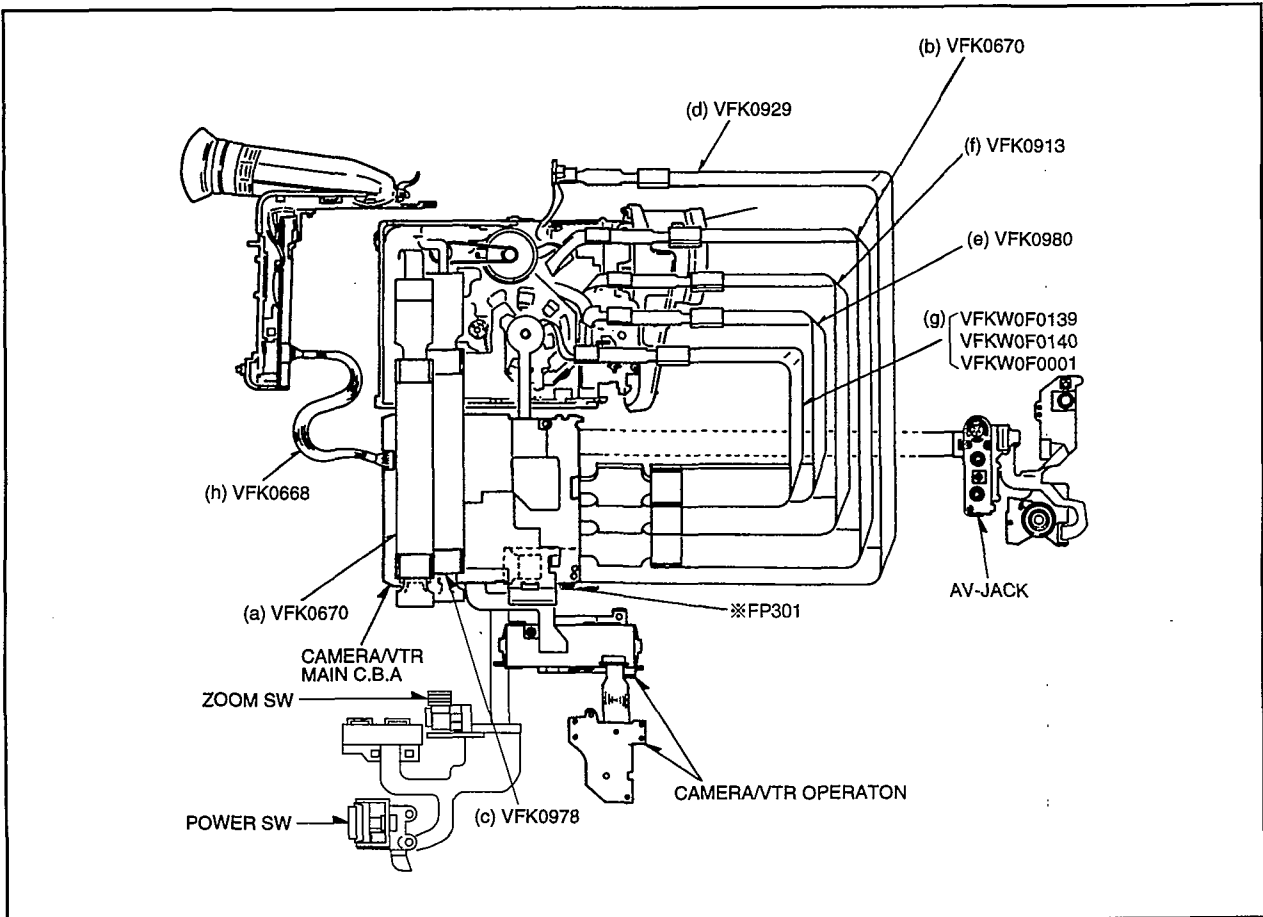


Fig.T1

1-2. Service Extension Cables. (In case of Tatsujin Cable)

Use the following extension cables when checking or adjusting individual circuit boards.

Ref.	Part No.	PIN	Part name	Connection	Q'ty	Remarks
(a)	VFKW0F0033	18	Attachment Connector	FP6001 - Mech.Chassis	1	Included in Tatsujin-Kit
	VFKW0F0055	18	Attachment Connector		1	
	VFKW0F0001	28	Common Cable		1	
(b)	VFKW0F0033	18	Attachment Connector	FP2002 - Capstan Motor	1	
	VFKW0F0055	18	Attachment Connector		1	
	VFKW0F0001	28	Common Cable		1	
(c)	VFKW0F0128	6	Attachment Connector	FP6002 - Mech.Chassis	1	
	VFKW0F0127	6	Attachment Connector		1	
	VFKW0F0001	28	Common Cable		1	
(d)	VFKW0F0118	12	Attachment Connector	PP201 - CCD	1	
	VFKW0F0117	12	Attachment Connector		1	
	VFKW0F0001	28	Common Cable		1	
(e)	VFKW0F0132	9	Attachment Connector	FP4001 - A/C HEAD	1	
	VFKW0F0131	9	Attachment Connector		1	
	VFKW0F0001	28	Common Cable		1	
(f)	VFKW0F0111	18	Attachment Connector	FP701 - LENS UNIT	1	
	VFKW0F0112	18	Attachment Connector		1	
	VFKW0F0001	28	Common Cable		1	
(g)	VFKW0F0139	7	Attachment Connector	FP2001 - CYLINDER	1	
	VFKW0F0140	7	Attachment Connector		1	
	VFKW0F0001	28	Common Cable		1	
(h)	VFK0668	24	Extension Cable	PS1001 - PP1601	1	

How to use extension cables.

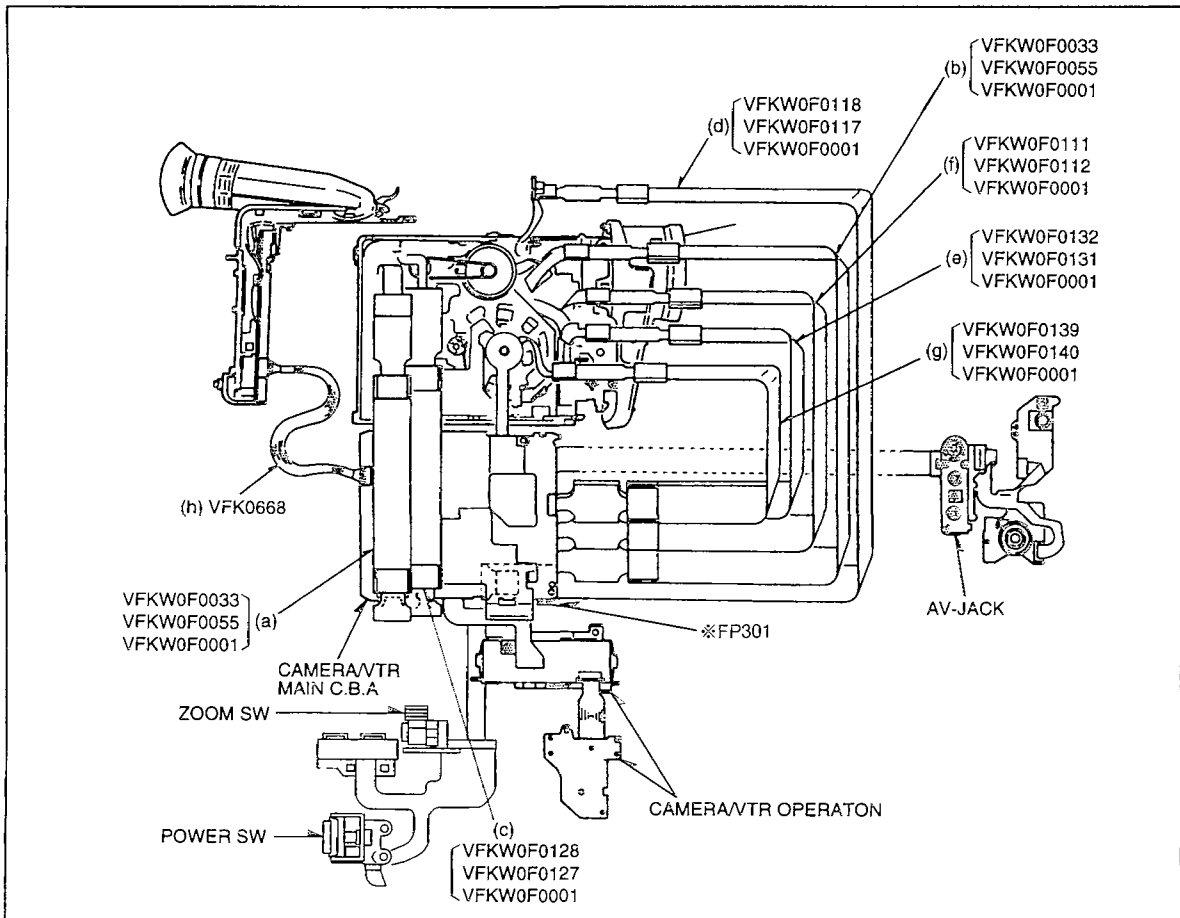


Fig.T2

1-3. Service Extension Cables. (Service Position for Movement of Mechanism)

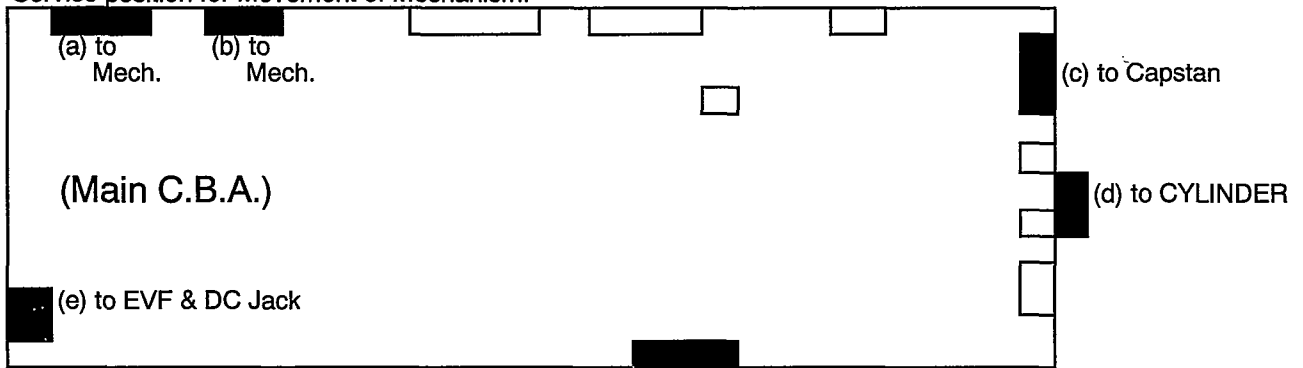
Use the following extension cables when checking the Mechanism.

Ref.	Part No.	PIN	Part name	Connection	Q'ty	Remarks
(a)	VFK0670	18	Flat Cable	FP6001 - Mech.Chassis	1	
(b)	VFK0978	6	Flat Cable	FP6002 - Mech.Chassis	1	
(c)	VFK0670	18	Flat Cable	FP2002 - Capstan Motor	1	
(d)	VFKW0F0139	7	Attachment Connector	FP2001 - CYLINDER	1	Included in Tatsujin-Kit
	VFKW0F0140	7	Attachment Connector		1	
	VFKW0F0001	28	Common Cable		1	
(e)	VFK0668	24	Extension Cable	PS1001 - PP1601	1	

In case of Tatsujin Cable.

Ref.	Part No.	PIN	Part name	Connection	Q'ty	Remarks
(a)	VFKW0F0033	18	Attachment Connector	FP6001 - Mech.Chassis	1	Included in Tatsujin-Kit
	VFKW0F0055	18	Attachment Connector		1	
	VFKW0F0001	28	Common Cable		1	
(b)	VFKW0F0128	6	Attachment Connector	FP6002 - Mech.Chassis	1	
	VFKW0F0127	6	Attachment Connector		1	
	VFKW0F0001	28	Common Cable		1	
(c)	VFKW0F0033	18	Attachment Connector	FP2002 - Capstan Motor	1	
	VFKW0F0055	18	Attachment Connector		1	
	VFKW0F0001	28	Common Cable		1	
(d)	VFKW0F0139	7	Attachment Connector	FP2001 - CYLINDER	1	
	VFKW0F0140	7	Attachment Connector		1	
	VFKW0F0001	28	Common Cable		1	
(e)	VFK0668	24	Extension Cable	PS1001 - PP1601	1	

Service position for Movement of Mechanism.



The Built-in Lithium Battery

Charging the Built-in Lithium Battery

The internal clock works even when the Movie Camera is turned off, and it consumes power from the built-in lithium battery. When the Movie Camera is in operation, it automatically charges this battery. However, if the Movie Camera is not used for a very long time, the lithium battery can become discharged. The discharged battery can be charged in the following way:

■ Determining Whether the Built-in Lithium Battery Is Discharged

Turn out the [POWER] Switch to turn the Movie Camera on.

- If the [] indication in the Finder flashes, the built-in lithium battery is discharged.

■ Charging the Built-in Lithium Battery and Other Required Operations

- 1 Connect the AC Adaptor to the Movie Camera.
- 2 Leave the Movie Camera in this condition for approximately 4 hours. Power is supplied for charging even with the [POWER] Switch turned in.
 - The Charging Lamp on the AC Adaptor does not flash or light. After charging for 4 hours, the built-in lithium battery can power the clock for approximately 3 months.
- 3 Set the clock to the current date and time.

When you charge the built-in lithium battery, we recommend that you turn the Movie Camera off to conserve energy.

3. HOW TO REPLACE THE LITHIUM BATTERY (PROCEDURE)

1. Remove the EVF C.B.A. from Rear Case.
(Remove the 4 Screw from Rear Frame)
2. Unsolder the Lithium battery "VLF2020/1HF" and then replace the new one. (See Fig.B1)

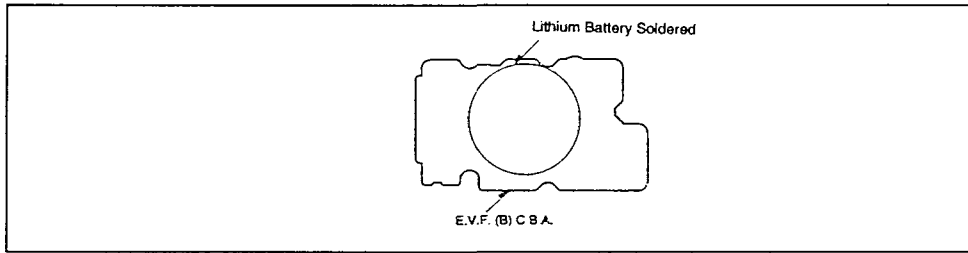


Fig.B1

NOTE:

The lithium battery is a critical component (Type No.: VL2020/1HF Manufactured by Panasonic.)

It must never be subjected to excessive heat or discharge.

It must therefore only be fitted in equipment designed specifically for its use.

Replacement batteries must be of the same type and manufacture.

They must be fitted in the same manner and location as the original battery, with the correct polarity contacts observed.

Do not attempt to re-charge the old battery or re-use it for any other purpose.

It should be disposed of in waste products destined for burial rather than incineration.

CAUTION

Danger of explosion if battery is incorrectly replaced.

Replace only with the same or equivalent type recommended by the equipment manufacturer.

Discard used batteries according to manufacturer's instructions.

VARNING

Explosionsfara vid felaktigt batteribyte.

Använd samma batterityp eller en ekvivalent typ som rekommenderas av apparattillverkaren.

Kassera använt batteri enligt fabrikantens instruktion.

ADVARSEL!

Lithiumbatteri - Eksplosionsfare ved fejlagtig håndtering.

Udskiftning må kun ske med batteri

af samme fabrikat og type.

Levér det brugte batteri tilbage til leverandøren.

VAROITUS

Paristo voi räjähtää, jos se on virheellisesti asennettu.

Vaihda paristo ainoastaan laitevalmistajan suosittelemaan tyyppiin. Hävitä käytetty paristo valmistajan ohjeiden mukaisesti.

New System 1 : Motion Detector

1.General Discretion

This movie camera has new function, it is motion sensor.

The camcorder detect the motion of object by IC301, IC301 is SIS(Super Image stabilizer)

When detect the motion of object, Rec start/Stop is operated automatically. (Under the Camera mode)

2.Operation

- ① Push the Motion Sensor Switch. (Under the Camera Mode).
- ② Camera unit turn to Motion Detect Standby Mode. (Cylinder was stop)

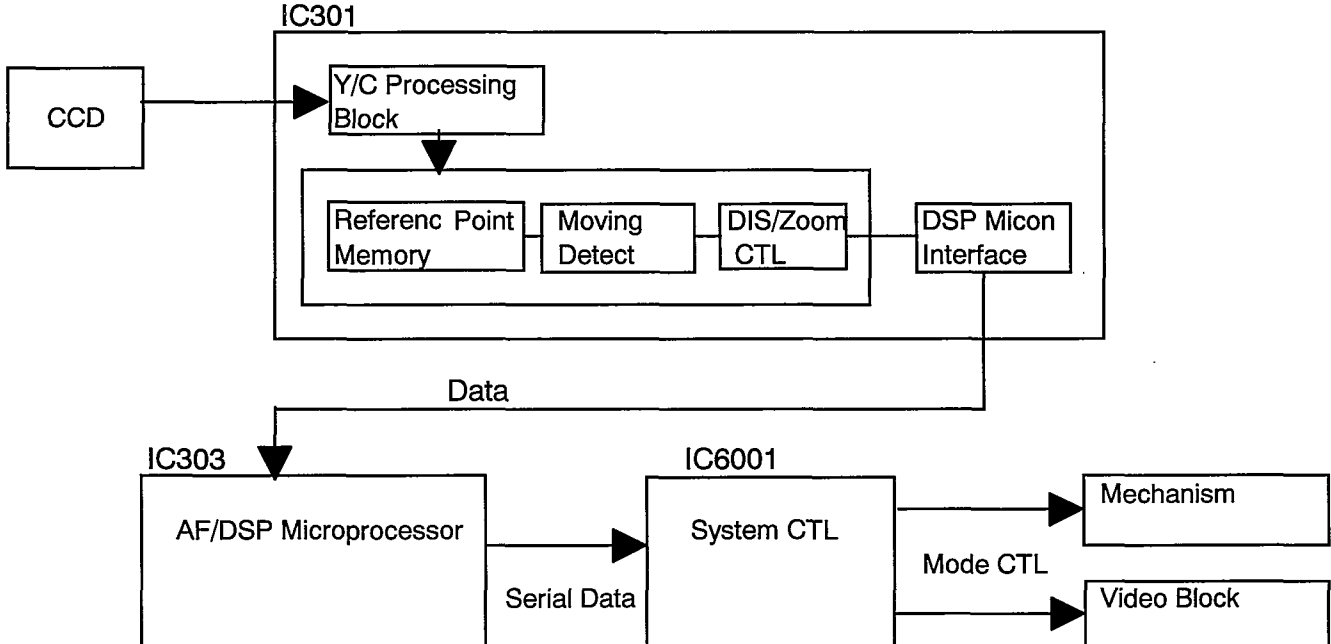
During Motion Detect Standby mode.

- ① Recording starts after 3 seconds from detect the Motion of Objects.
- ② Recording stops after 30 seconds from stopping the Motion of object.

Note: ① If does not detect the motion of object more than 6 minutes Under the Motion Detect Standby mode, Camera unit turn to stop potion 2.

- ② When push the Motion Switch during Motion Standby mode, Motion Select mode turn off. Also, if turn off the power Switch, Motion detect mode was turn off.

3.System Block Diagram(Process & System circui)

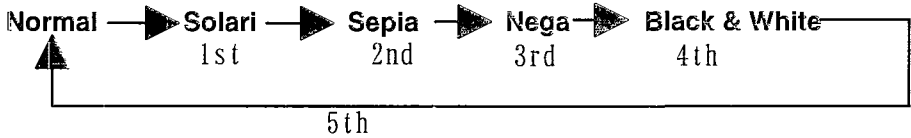


Note: Moving detector circuit is used during Motion detect mode.
So DIS does not work during Motion Detection mode.

New System 2 : New Digital Effect

1. General Discretion

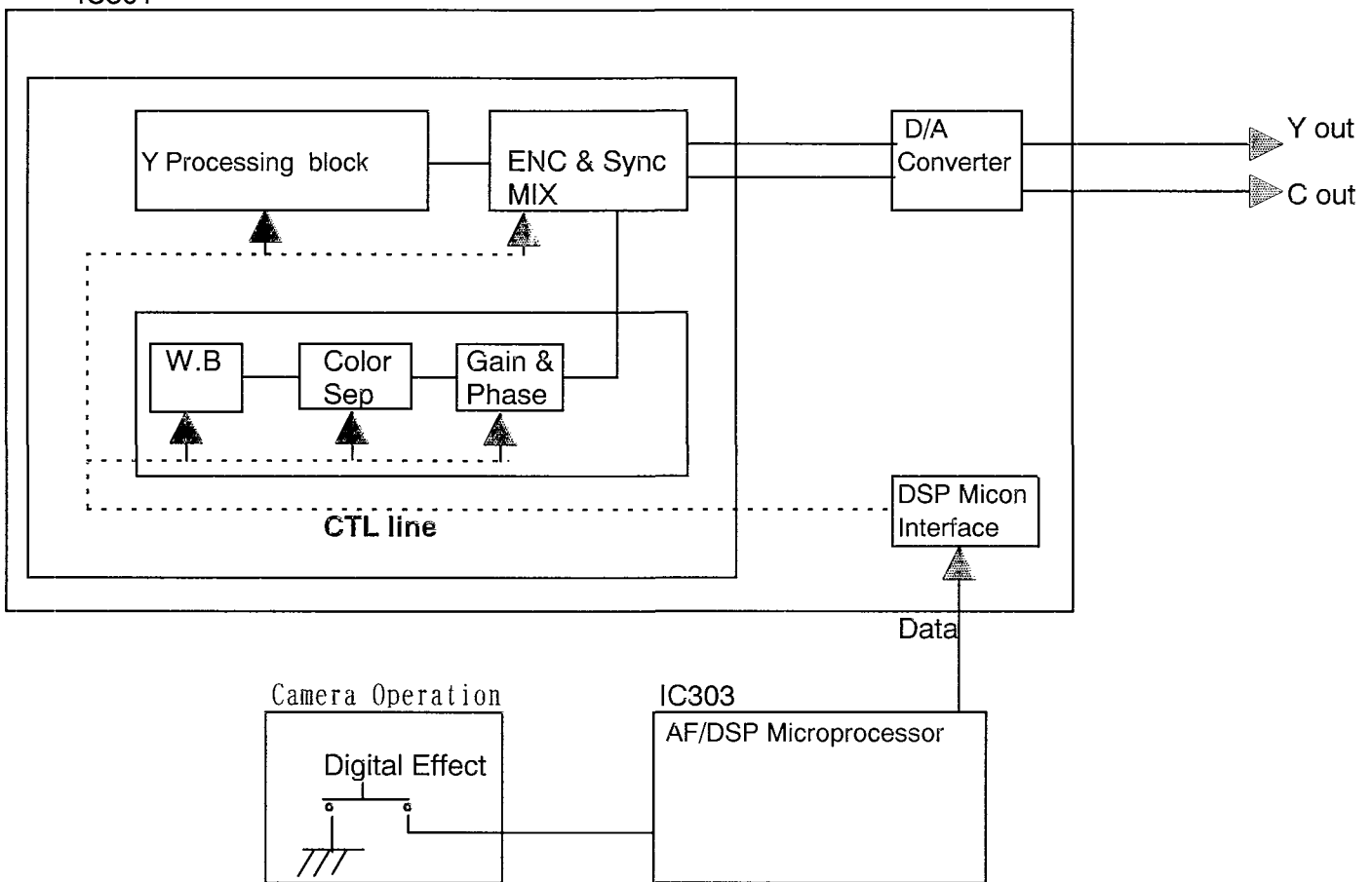
This movie camera has new digital effect, There are Solari, Sepia, Nega, Black & White. Press the Digital Effect Switch repeatedly to select the desired Digital effect.



Digital Effect	Contents of Processing
① Solari	Data bit shift.
② Sepia Color	Color phase shifted to Magenta.
③ Nega/posi	Color phase & Gain becomes opposite.
④ Black & White.	Video out signal become monotone.

2. System Block Diagram

IC301



3.Circuit Explanation

This movie camera has new digital effect, There are Solari, Sepia, Nega, Black & White. Press the Digital Effect Switch repeatedly to select the desired Digital effect.

IC303 is created the control data for digital effect when push the Digital effect key. Control data are sent to IC301.

Solarization and Nega/posi process are carried out by Encoder block in IC301.

1). Nega/Posi mode.

Y signal data is level convert process carried out, detail is as follows.

For instance, Y signal level Input level is minimum. 8 bit A/D converter output become "00000000"
This data will be converted by following formula.

A/D converter Maximum output level - Input level = Converted Level for Nega/Posi effect.

Example:

A/D/ converter Maximum level is "11111111" (8bit)

Input level is "00000000"

→ "11111111" - "00000000" = "11111111"

2). Solarization .

During Solarization mode, The certain number of data(bit) are eliminated from Y/C data.

3).Sepia .

Process for Sepia mode is as follows.

- (1). Eliminated the Colour data.
- (2). White balance was shifted to magenta.

SERVICE INFORMATION

1. SERVICE INFORMATION DISPLAY

General Description

This Movie Camera has SERVICE INFORMATION DISPLAY function which facilitates quick trouble-shooting. You can turn on the Service Information Display, by performing the following procedures. This causes the Service Information to be displayed on the EVF. (There are 4 kinds of SERVICE MODE, as shown below.) In the OSD Line Output Mode, Service Information can also be viewed on the TV.

MODE NAME	FUNCTION	How to turn it ON. (Push following keys simultaneously for at least 2 sec.)		
<u>OSD Line Output MODE</u>	• Checking the EVF information on the TV monitor.	DATE/TIME SET (TOP PANEL)	RESET (TOP PANEL)	DATE TIME (SIDE CASE(R))
MODE NAME	FUNCTION	How to turn it ON. (Push following keys simultaneously for at least 2 sec.)		
<u>SERVICE MODE 1</u>	• Remaining Battery A/D Value • Safety Device • Capstan/Cylinder injections	DATE/TIME SHIFT (TOP PANEL)	RESET (TOP PANEL)	DATE TIME (SIDE CASE(R))
MODE NAME	FUNCTION	How to turn it ON. (After choosing SERVICE MODE 1, Push [DATE/TIME] key. (SIDE CASE(R)))		
<u>SERVICE MODE 2</u>	• Reference Voltage A/D Value • Mechanism position • Serial key code.	DATE/TIME		
MODE NAME	FUNCTION	How to turn it ON. (After choosing SERVICE MODE 2, Push [DATE/TIME] key. (SIDE CASE(R)))		
<u>SERVICE MODE 3</u>	• ERROR CODE Display	DATE/TIME		
MODE NAME	FUNCTION	How to turn it ON. (After choosing SERVICE MODE 3, Push [DATE/TIME] key. (SIDE CASE(R)))		
<u>SERVICE MODE 4</u>	• PG SHIFTER ADJUSTMENT	DATE/TIME		

ERROR CODE DISPLAY

When undesirable conditions occur, the "ERROR CODE" will automatically be displayed on the EVF. Also the CAMERA LED will flash for a short time, then the power will be turned off.

By turning on Service Mode 3, you can check to see what kind of undesirable condition occurred, even after the ERROR CODE has disappeared. (To perform the Service Mode 3, do not disconnect the AC adaptor or battery pack, after undesirable condition occurred.)

To clear the ERROR CODE, disconnect the AC Main Lead or the battery has been disconnected.

This movie camera has the built in Rechargeble Lithum Battery.

It maintain the operation of the built-in clock and error code for the Service Mode when the Movie camera turn off.

To clear the error code, make shoot the IC6001 pin 25 to GND for reset the IC6001.

Indication for built in clock return to initial condition make make reset the IC6001.

Note 1: Contents of all Service Mode(Service Mode 1~Service Mode 4) same as previous models.
 So we will issue Technical information for Service Mode.
 Order Number for this document is as follows.
 Order Number for Technical Information : VMD9512M138

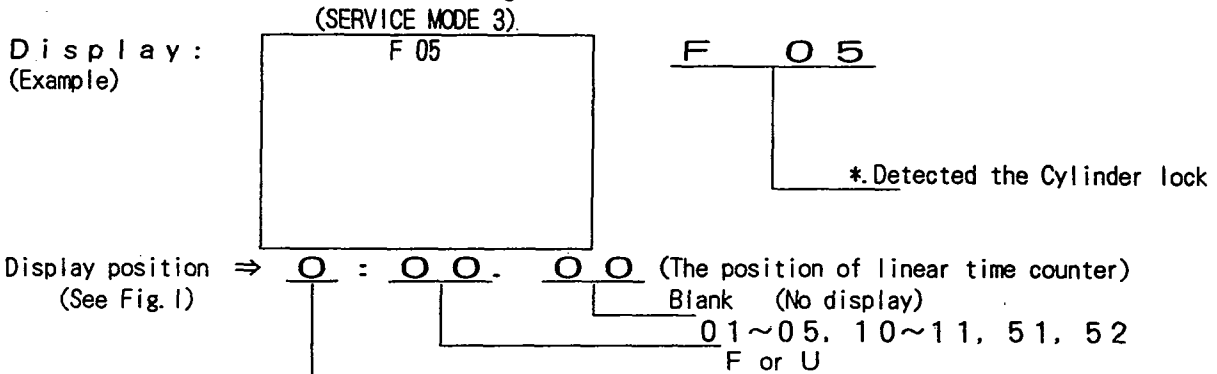
Note 2 : Contents of all Service Mode(Service Mode 1~Service Mode 4) same as previous models.
 We will issue Technical information for Service Mode.
 But Service Mode 3 is Error code Display. It is important for Service.
 So this service manual contain for this information.

SERVICE MODE 3

After undesirable conditions occurred, you can see what kind of error occurred by turning on the Service Mode 3.

When you turn on the service mode 3, the error code is displayed on E.V.F.

Also the Camera LED is flashed according to Error code.



DISPLAY	CONDITION	The Power off timing
F 0 1	T - REEL LOCK	After 1 minute (flashing the LED)
F 0 2	S - REEL LOCK	
F 0 3	UNLOADING LOCK	
F 0 4	LOADING LOCK	
F 0 5	CYLINDER LOCK	
F 5 1	FOCUS MOTOR LOCK	-----
F 5 2	ZOOM MOTOR LOCK	
U 1 0	DEW DETECTION	After 18 minutes(flashing the LED)
U 2 0	HEAD CLOGGING	Not turning off

Fig. I Error Code

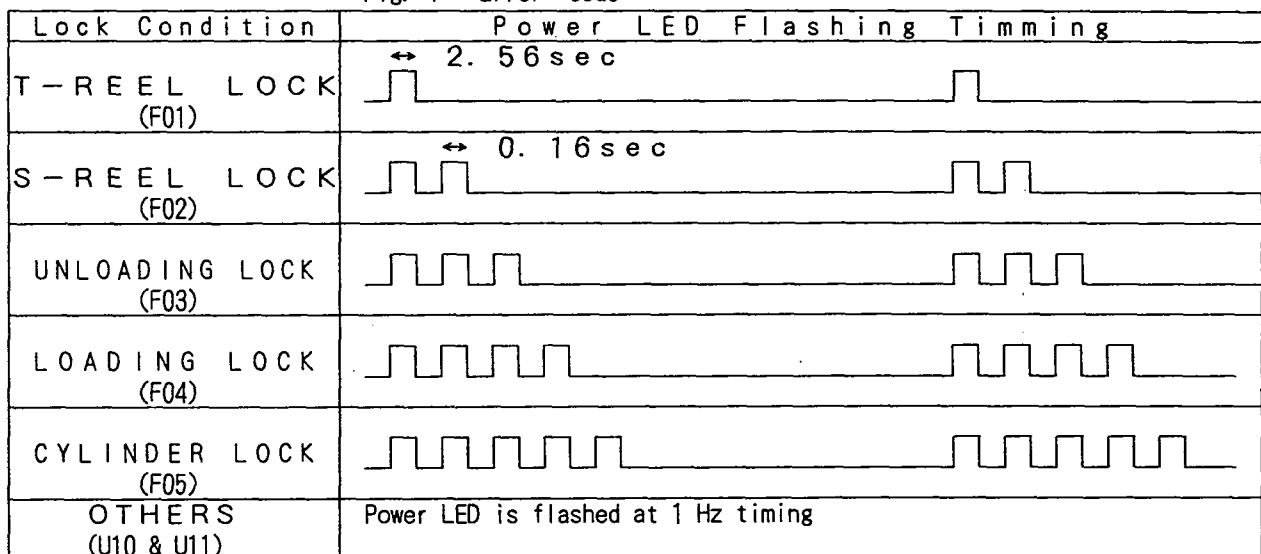
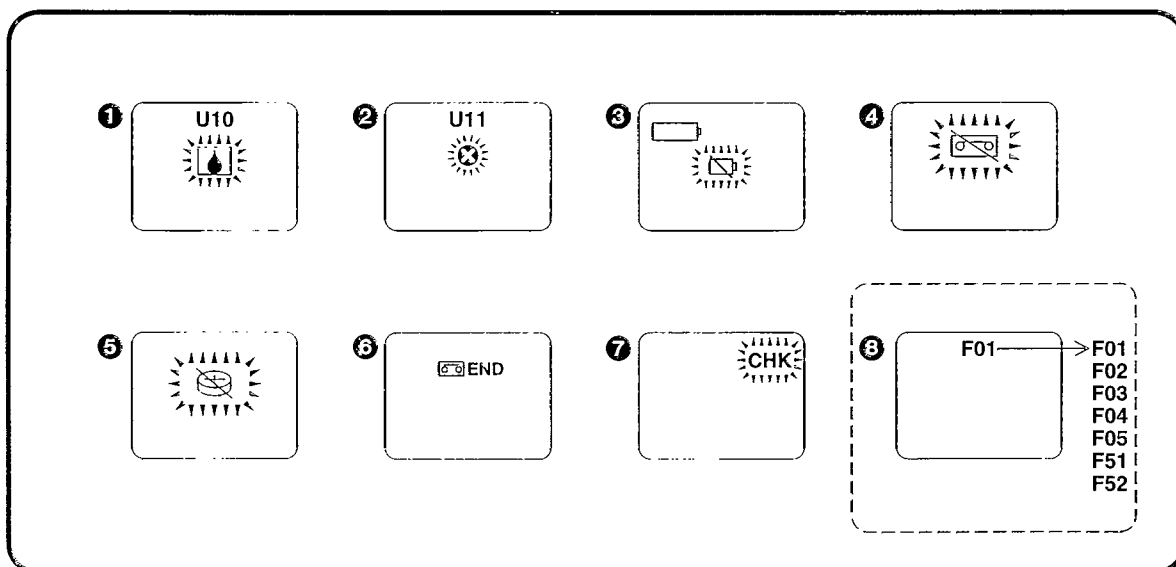


Fig. J LED Flashing Timming

SECTION 1 GENERAL DESCRIPTIONS



Indications in the Finder

Warning/Alarm Indications








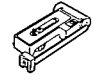

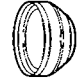






- ① **Condensation**
- ② **Video Head Clogging**
- ③ **Remaining Battery Power**
When the last segment of this indication has disappeared, the Movie Camera automatically switches off. Replace the Battery with a fully charged one.
- ④ **Cassette**
No cassette is inserted. Or the tab of the inserted cassette is broken out. Insert a cassette with an intact tab.
- ⑤ **Built-in Lithium Battery**
The built-in Lithium Battery is exhausted. Charge it.

- ⑥ **End of the Tape**
When the tape has reached its end, this indication appears. Insert a new cassette.

- ⑦ **Anti-Ground Recording**

- ⑧ **Error Code**
(Error codes are information for service personnel.)
 - If the [F] Indication with a 2-digit number appears in the Finder, a malfunction has occurred.
 - If the indicated error code is between [F01] and [F05], the Movie Camera will turn off automatically one minute after the [CAMERA] Lamp has started to flash.
 - If the indication is [F51] or [F52], the Movie Camera will not turn off automatically.

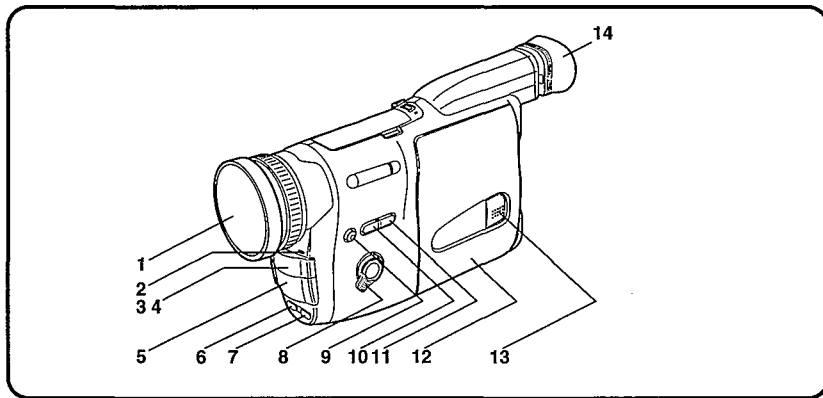
- F01: Locked Take Up-Reel
- F02: Locked Supply-Reel
- F03: Locked Unloading Mechanism
- F04: Locked Loading Mechanism
- F05: Locked Cylinder
- F51: Locked Focus Motor
- F52: Locked Zoom Motor

1. VW-VBS10E VW-VBH10E 	2. VW-VBS20E VW-VBH20E 	3. VW-K3C2E 	4. VW-ACC2E 	5. VW-RF7E /EG 	6. VW-K10E 
7. VZ-LDCS13E 	8. VW-SK9E 	9. VW-LF43WE 	10. VW-LT4314WE 	11. VW-LW4307WE 	12. VZ-CT55E 
13. VW-TCA7E 	14. VW-VT1E 	15. VW-EC310E 	16. VW-EC1E 		

Optional Accessories

- 1. VW-VBS10E (Ni-Cd Battery)
- VW-VBH10E (Ni-MH Battery)
- 2. VW-VBS20E (Ni-Cd Battery)
- VW-VBH20E (Ni-MH Battery)
- 3. Car Battery Charger
- 4. Car Battery Cord
- 5. RF Adaptor
- 6. 5-Pin Synchro Cord
- 7. Video DC Light (requires the Shoe Adaptor for attaching to the Movie Camera)
- 8. Shoe Adaptor (for attaching the Video DC Light)
- 9. Filter Kit
- 10. Tele Conversion Lens
- 11. Wide Conversion Lens
- 12. Standard Tripod
- 13. Cassette Adaptor
- 14. Video Titler
- 15. Editing Controller
- 16. Editing Controller

• Some accessories are not available in some countries.

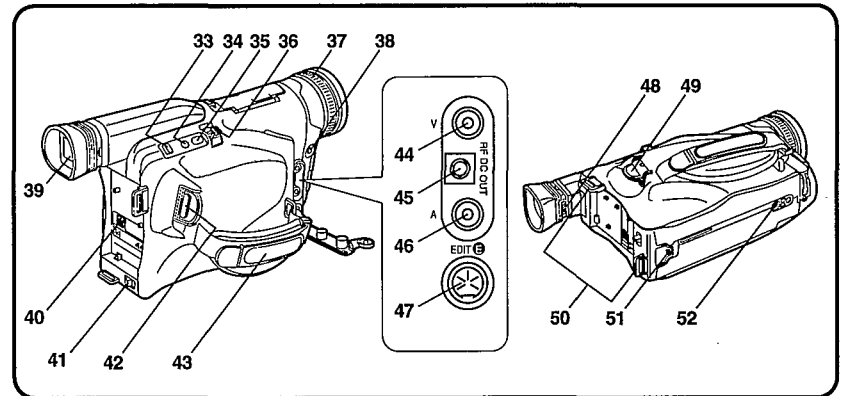


Controls and Components

- 1 Lens Cap
- 2 Tally Lamp
- 3 White Balance Sensor
- 4 Remote Control Sensor
- 5 Microphone
- 6 Motion Sensor Button [M.SENSOR]
- 7 Focus Button [FOCUS]

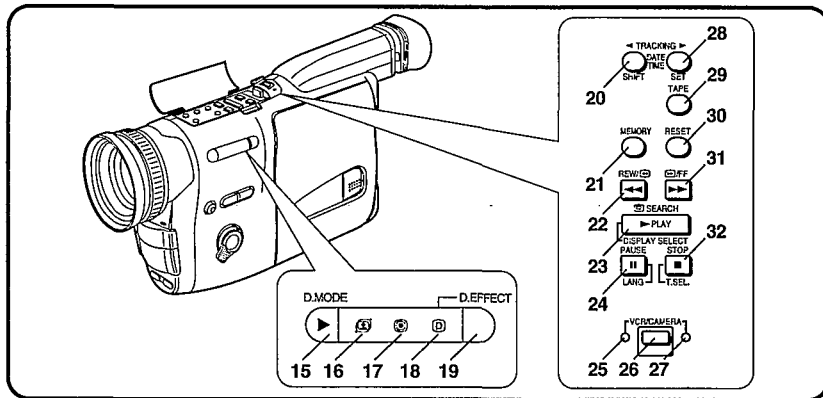
- 8 Auto Exposure Selector [AE]
- 9 Fade Button [FADE]
- 10 Date /Time/Title Button [DATE/TITLE]
- 11 White Balance Button [W.B]
- 12 Cassette Compartment
- 13 Cassette Compartment Lock Button
- 14 Eyecup

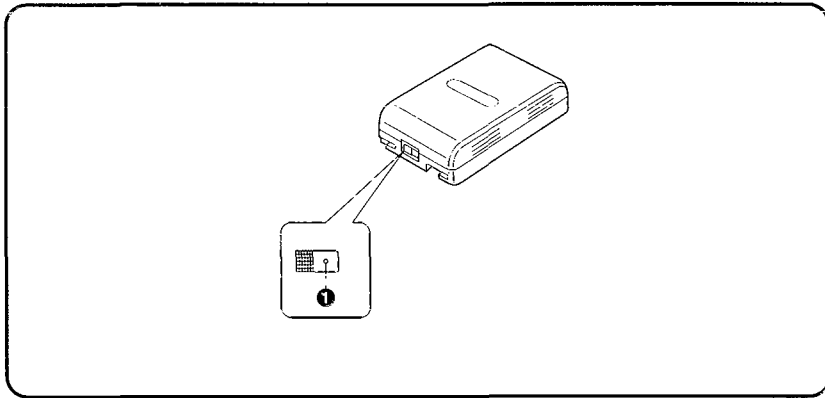
- 15 Digital Mode Selector Button [D.MODE]
- 16 Super Image Stabilizer Indication Lamp [S.I.]
- 17 Digital Zoom Indication Lamp [D.Z]
- 18 Digital Effect Indication Lamp [D.E]
- 19 Digital Effect Selector Button [D.EFFECT]
- 20 Date/Time Shift/Tracking Button [DATE/TIME/SHIFT - ◀ TRACKING]
- 21 Memory Button [MEMORY]
- 22 Rewind/Review Button [REW/◀]
- 23 Play Button/Display Selector Button [PLAY/DISPLAY SELECT]
- 24 Pause Button/Language Selector Button [PAUSE/LANG]
- 25 VCR (Playback) Mode Lamp [VCR]
- 26 VCR/Camera Mode Selector Button [VCR/CAMERA]
- 27 Camera (Recording) Mode Lamp [CAMERA]
- 28 Date/Time Set/Tracking Button [DATE/TIME/SET - TRACKING ▶]
- 29 Tape Length Selector Button/Remaining Tape Time Button [TAPE]
- 30 Tape Counter Reset Button [RESET]
- 31 Fast Forward/Cue Button [▶/FF]
- 32 Stop Button/Title Selector Button [STOP/T.SEL.]



- 33 Cassette Eject Lever [EJECT ▲]
- 34 Snapshot Recording Button [SNAPSHOT REC]
- 35 Backlight Button [BACKLIGHT]
- 36 Zoom Lever [W • T]
- 37 Focus Ring
- 38 Microphone Socket [MIC]
- 39 Finder
- 40 DC Input Socket [DC IN]
- 41 Battery Eject Lever [BATTERY EJECT ▶]
- 42 Start/Stop Button

- 43 Grip Belt
- 44 Video Output Socket [VIDEO OUT]
- 45 Radio Frequency DC Output Socket [RF DC OUT]
- 46 Audio Output Socket [AUDIO OUT]
- 47 Edit Socket [EDIT]
- 48 Eyepiece Corrector Control Knob
- 49 Power Switch [POWER]
- 50 Shoulder Strap Holders
- 51 Power Save Switch [POWER SAVE]
- 52 Tripod Receptacle





■ Charging Time and Maximum Time for Continuous Recording in the Manual Recording Mode

Battery No.	Charging Time	Max. Continuous Recording Time
Supplied	60 min.	40 min.
VW-VBS10E	65 min.	45 min.
VW-VBS20E	130 min.	90 min.
VW-VBH10E	80 min.	55 min.
VW-VBH20E	160 min.	110 min.

(The times shown in the above chart are approximations.)

●Maximum Continuous Recording Time means the duration of continuous recording performed at an ambient temperature of 20°C and 60% relative humidity. In actual recording, however, the use of the zoom and other functions increases the power consumption, and higher or lower temperatures reduce the Battery's ability to generate electricity. Therefore, the actual recording time per Battery may be approximately 30% - 50% shorter than listed above.

■ Using the Charge Confirmation Marker

You can use this marker to easily distinguish between charged and discharged Batteries. For example, slide the knob so that the red dot ① is visible after charging is completed.

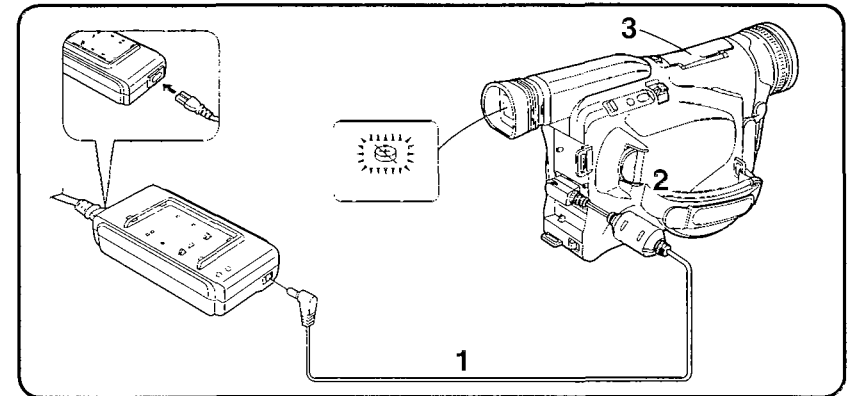
Contains a Nickel-Cadmium Battery. Must be recycled or disposed of properly.

Recording with the Time and/or Date Superimposed in the Picture

- 1 Press the [DATE/TITLE] Button to make the Date/Time/Title Indication appear in the Finder.
- 2 Press the [PLAY/DISPLAY SELECT] Button repeatedly until the desired indication appears in the Finder.
 - The indications change in the order ① to ③ shown above.
 - After turning the Movie Camera off and then on again, the previously selected Date/Time/Title Indication is no longer displayed in the Finder. To make it appear again, press the [DATE/TITLE] Button once.

- 3 Press the Start/Stop Button to start recording.
- Deleting the Date/Time/Title Indication
- 4 During recording or when the Movie Camera is in the Recording Pause Mode, press the [DATE/TITLE] Button to make the Date/Time/Title Indication disappear in the Finder.

Be sure to turn the Movie Camera off before removing the Battery or disconnecting the AC Adaptor. Disconnecting the power supply while the Movie Camera is on erases the Date/Time/Title Indication stored in memory.



Charging the Built-in Lithium Battery

The internal clock works even when the Movie Camera is turned off, and it consumes power from the built-in lithium battery. When the Movie Camera is in operation, it automatically charges this battery. However, if the Movie Camera is not used for a very long time, the lithium battery can become discharged. The discharged battery can be charged in the following way.

■ Determining Whether the Built-in Lithium Battery Is Discharged

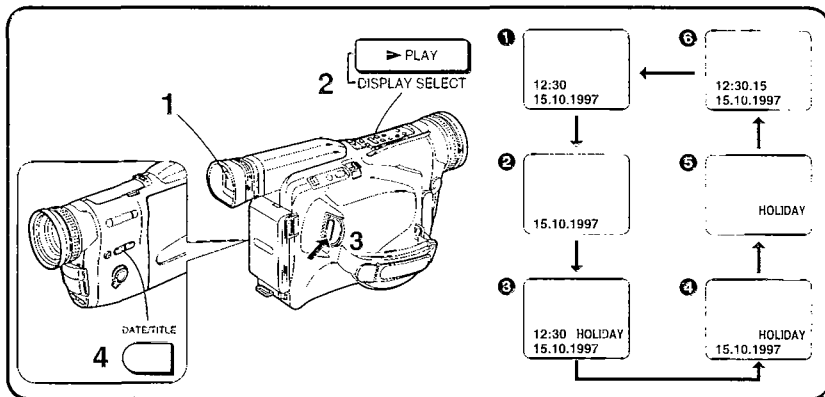
Turn out the [POWER] Switch to turn the Movie Camera on.

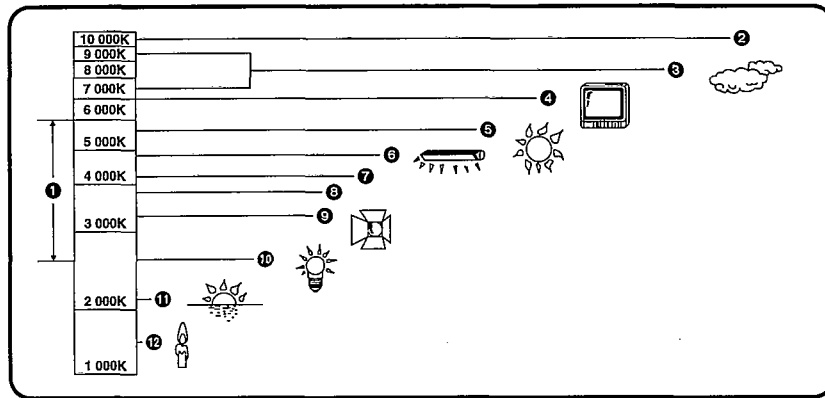
●If the [⊙] Indication in the Finder flashes, the built-in lithium battery is discharged.

■ Charging the Built-in Lithium Battery and Other Required Operations

- 1 Connect the AC Adaptor to the Movie Camera.
- 2 Leave the Movie Camera in this condition for approximately 4 hours. Power is supplied for charging even with the [POWER] Switch turned in.
 - The Charging Lamp on the AC Adaptor does not flash or light. After charging for 4 hours, the built-in lithium battery can power the clock for approximately 3 months.
- 3 Set the clock to the current date and time.

When you charge the built-in lithium battery, we recommend that you turn the Movie Camera off to conserve energy.

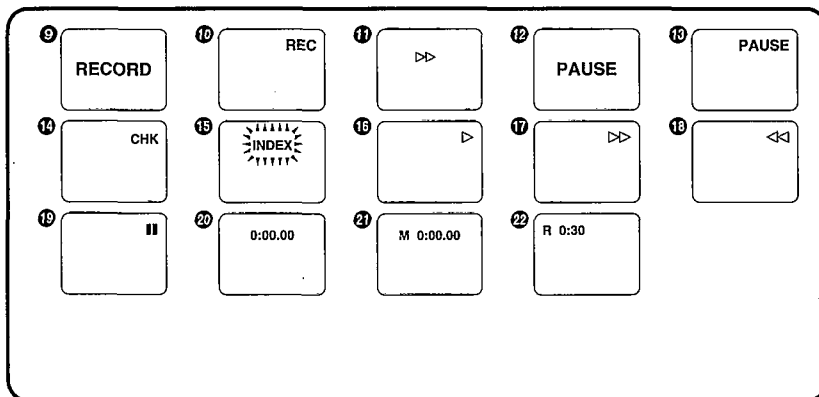




Colour Temperature and White Balance Adjustment

Every light source has its own colour temperature measured in Kelvin (K). The higher the Kelvin value, the more bluish the light; the lower the value, the more reddish the light. The Kelvin value is related to the tint of the light, but not directly to its brightness. The range ① indicated in the illustration above shows the light sources for which this Movie Camera can provide precise white balance adjustment and, therefore, natural colours in the recorded pictures, when using the Full Auto Mode. For light sources outside this range, adjust the white balance manually. Also, additional lighting may be necessary.

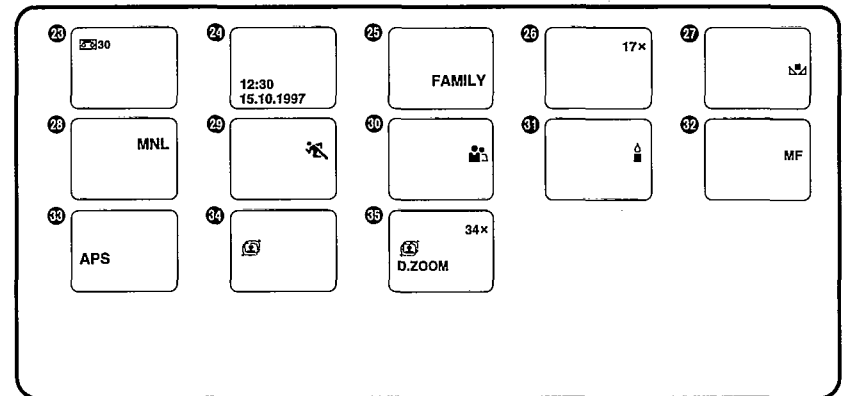
- ① Control range of this Movie Camera's Auto White Balance Adjustment Mode
- ② Blue sky
- ③ Cloudy sky (Rain)
- ④ TV screen
- ⑤ Sunlight
- ⑥ White fluorescent lamp
- ⑦ 2 hours after sunrise or before sunset
- ⑧ 1 hour after sunrise or before sunset
- ⑨ Halogen light bulb
- ⑩ Incandescent light bulb
- ⑪ Sunrise or sunset
- ⑫ Candlelight



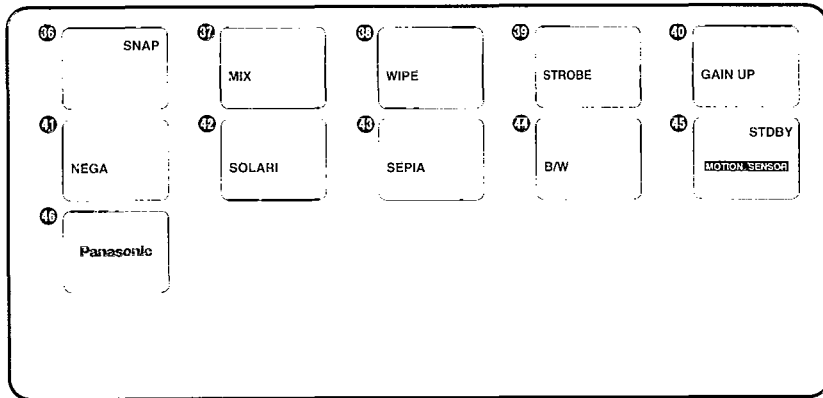
Recording and Playback Indications

- ⑨ Recording Mode (large indication)
- ⑩ Recording Mode (small indication)
- ⑪ Tape Run Mode
- ⑫ Recording Pause Mode (large indication)
- ⑬ Recording Pause Mode (small indication)
- ⑭ Recording Check Mode
- ⑮ Index Signal Recording Mode
An index signal is automatically recorded (and the [INDEX] Indication flashes briefly in the Finder while it is being recorded) when you:
 - Turn the Movie Camera on and start recording.
 - Start recording after inserting a cassette.
 - Press the [VCR/CAMERA] Button to change from the [VCR] to the [CAMERA] Mode or vice versa.
 The recording of index signals makes it possible to use the VHS Index Search or Intro Scan Function during playback on a VCR equipped with these functions. (Refer to the operating instructions of your VCR.)

- ⑯ Playback Mode /Camera Search Mode
- ⑰ Fast Forward/Cue Mode
- ⑱ Rewind/Review Mode/ Camera Search Mode
- ⑲ Still Playback Mode
- ⑳ Elapsed Tape Time
When the tape is rewound further than the Elapsed Tape Time Position [0:00.00], the minus sign [-] appears in front of the Elapsed Tape Time Indication
- ㉑ Elapsed Tape Time with activated Memory Stop Function
- ㉒ Remaining Tape Time



- ㉓ Tape Length
- ㉔ Date and Time
- ㉕ Title
- ㉖ Zoom Magnification
- ㉗ Manual White Balance Mode
- ㉘ Manual Recording Mode
- ㉙ Sports Mode
- ㉚ Portrait Mode
- ㉛ Low Light Mode
- ㉜ Manual Focus Mode
- ㉝ Power Save Mode
- ㉞ Super Image Stabilizer Mode
- ㉟ Digital Zoom Mode



- 36 Snapshot Recording Mode
- 37 Mix Mode
- 38 Wipe Mode
- 39 Strobe Mode
- 40 Gain-up Mode
- 41 Negative Mode
- 42 Solarisation Mode
- 43 Sepia Mode
- 44 Black-and-White Mode
- 45 Motion-Sensor-Controlled Recording Mode
- 46 Demonstration Mode

Demonstration Mode

If you connect the AC Adaptor to the Movie Camera, turn the Movie Camera on without any cassette inserted, and leave it on for approximately 10 minutes without performing any operation, it automatically switches over to the Demonstration Mode. The Movie Camera remains in this mode until you turn it off and disconnect the AC Adaptor.

Manually Activating the Demonstration Mode

While pressing the [PLAY/DISPLAY SELECT] Button, turn out the [POWER] Switch. The Demonstration Mode starts after 6 seconds.

Cancelling the Demonstration Mode

Turn in the [POWER] Switch to turn the Movie Camera off. Then turn it out again while pressing the [STOP/T. SEL.] Button.

Using the Remote Controller

The Remote Controller lets you take part in the action and control the recording operation from in front of the Movie Camera. It is also convenient for controlling the playback functions for playback via a TV or for dubbing.

Buttons on the Remote Controller

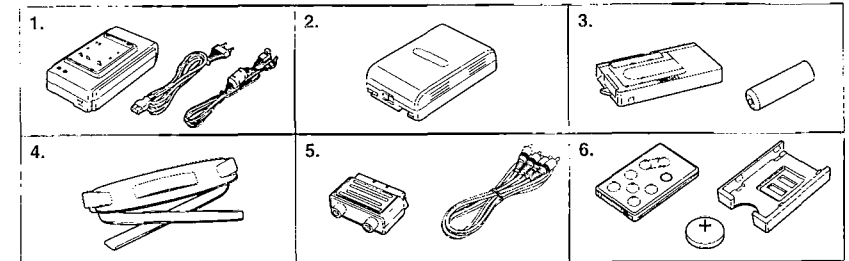
The buttons with the same mark as on the Movie Camera have generally the same function.

- 1 [W·T] Zoom Buttons
- 2 Rewind [◀◀] Button
- 3 Pause [||] Button
- 4 Stop [■] Button
- 5 Playback [▶] Button
- 6 Fast-forward [▶▶] Button
- 7 [START/STOP] Button

Conditions for Correct Operation of the Remote Controller

- The button-type battery must be inserted correctly and not be exhausted.
- The distance to the Movie Camera must not be more than 5 metres.
- The Transmitter Window ① on the Remote Controller or the Remote Control Sensor ② on the Movie Camera must not be exposed to direct sunlight and not be covered with clothes, etc.

When operating the Zoom Function with the Remote Controller, it is not possible to vary the zooming speed. Also, there is a slight delay between pressing the Zoom Buttons on the Remote Controller and the actual operation of the mechanical zoom function on the Movie Camera.

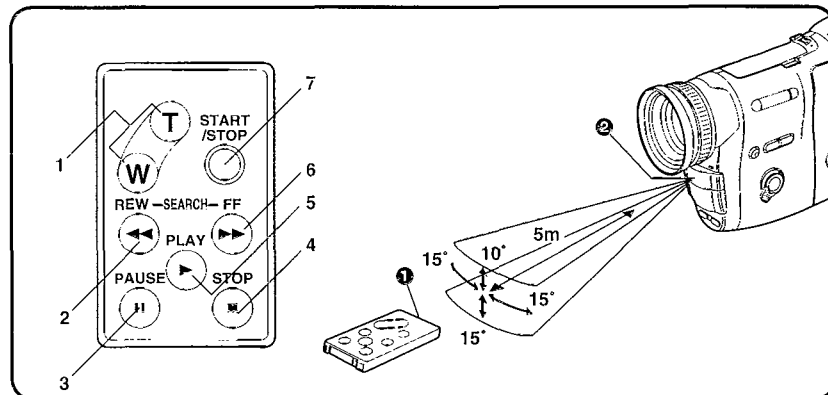


Preparations

This chapter explains the necessary steps before you can start using the Movie Camera.

Standard Accessories

1. **AC Adaptor**
To supply power to the Movie Camera and to charge the Battery
2. **Battery**
To supply power to the Movie Camera
3. **Cassette Adaptor and Battery**
4. **Shoulder Strap**
5. **AV Cable**
To connect the Movie Camera to the Video Input and Audio Input Sockets on a TV or a VCR
6. **Remote Controller, Remote Controller Holder and Button-Type Battery**

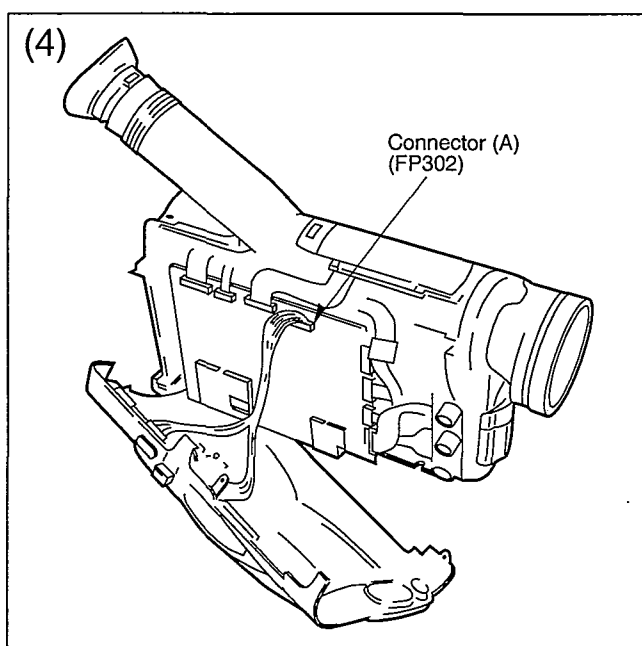
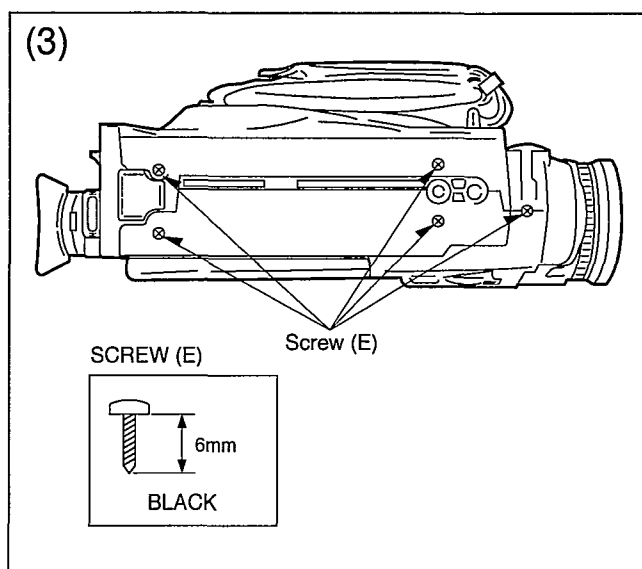
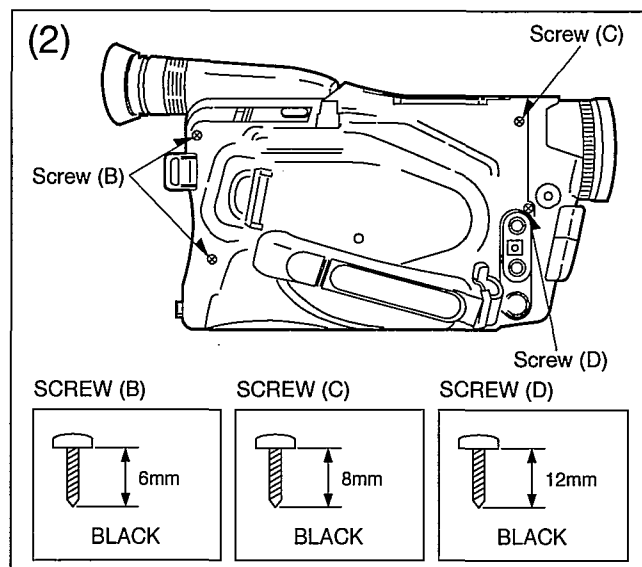
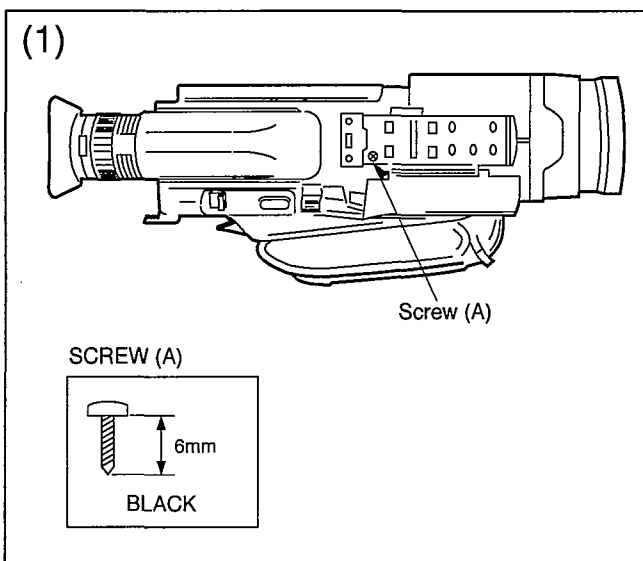


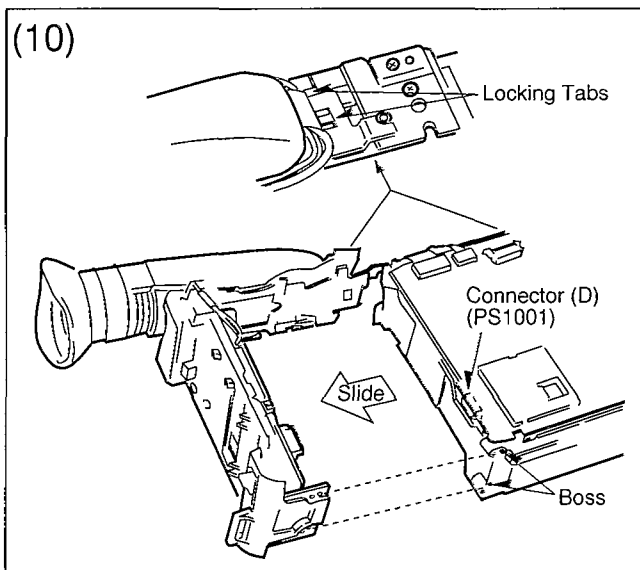
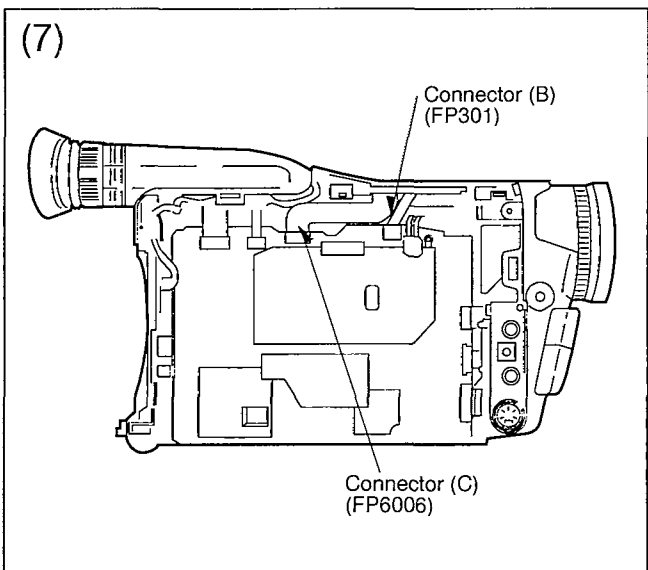
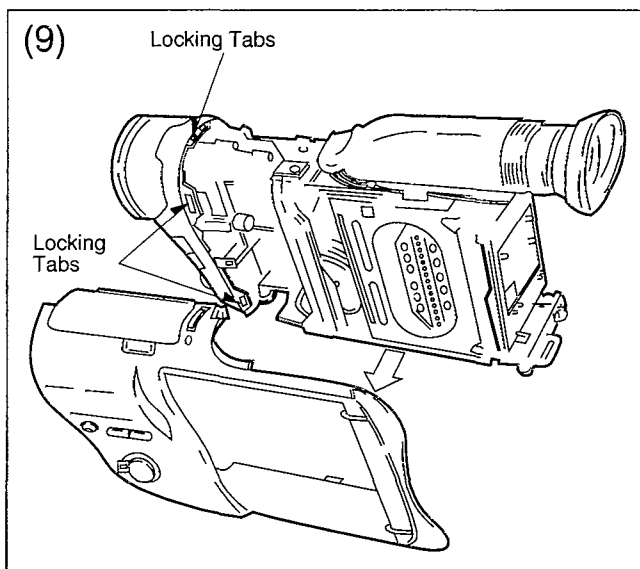
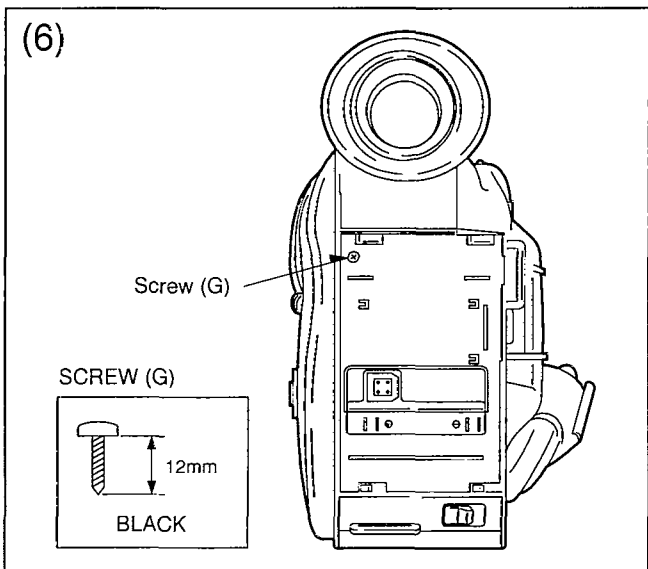
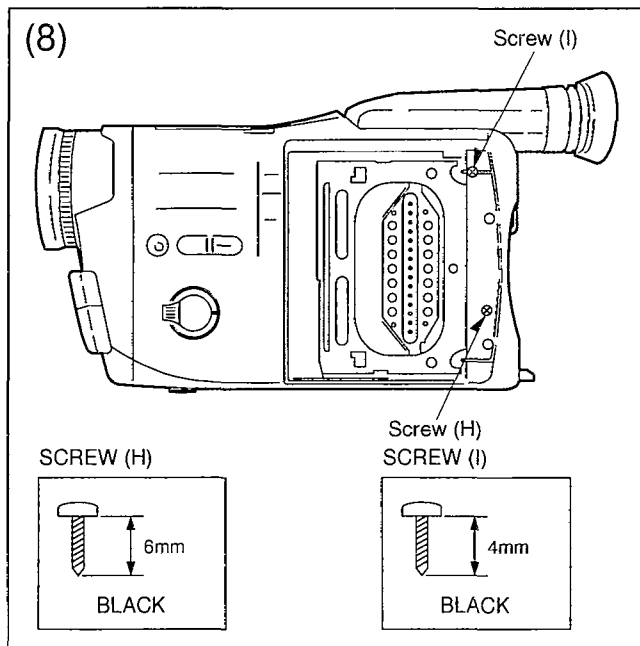
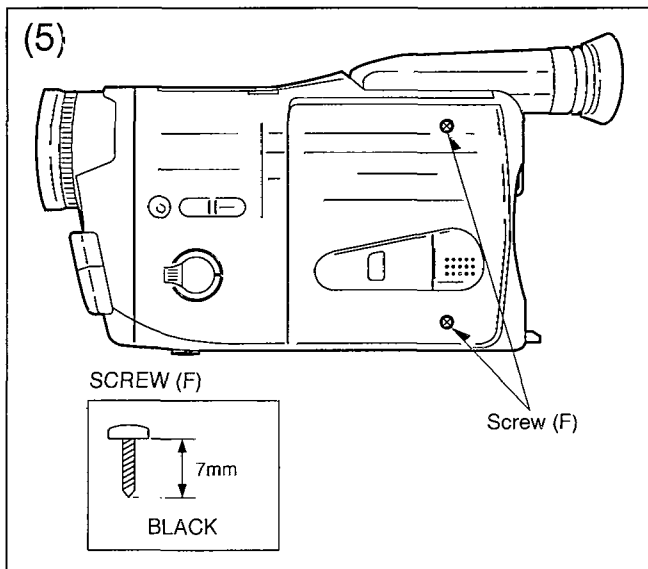
SECTION 2 ADJUSTMENT PROCEDURES

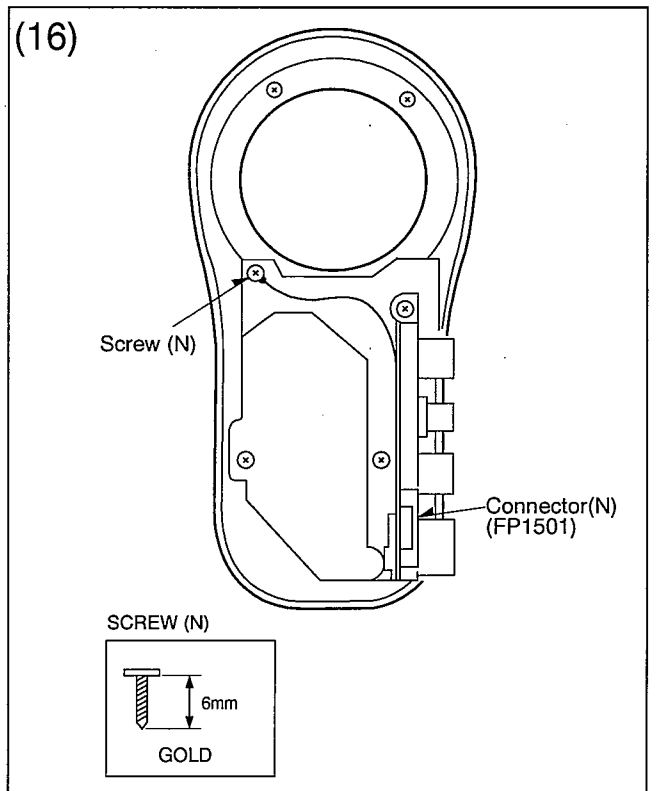
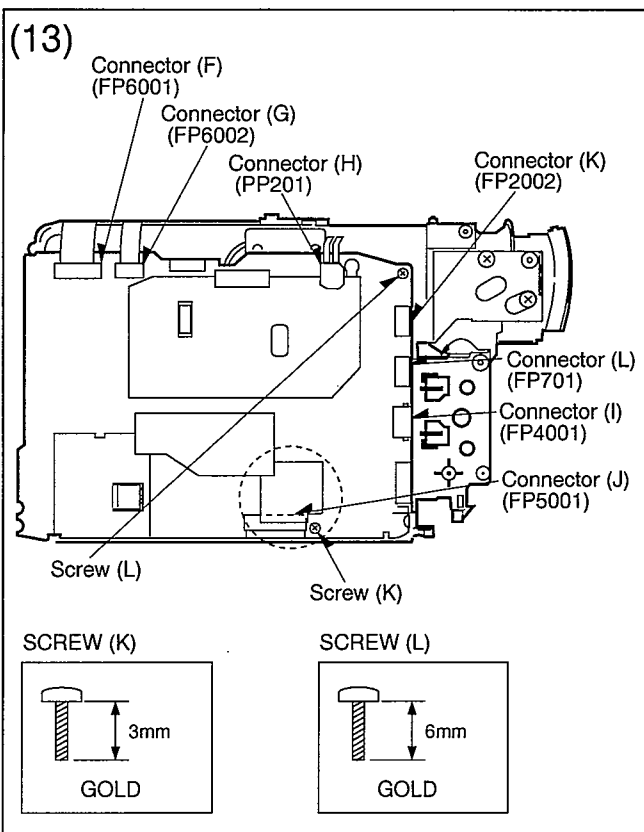
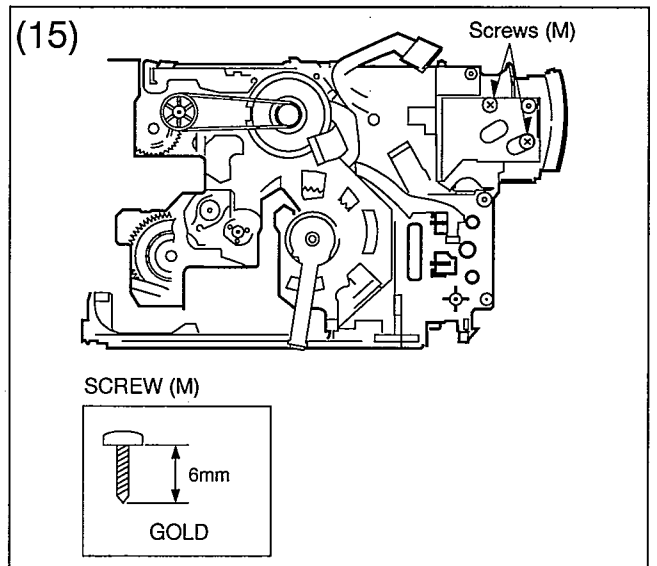
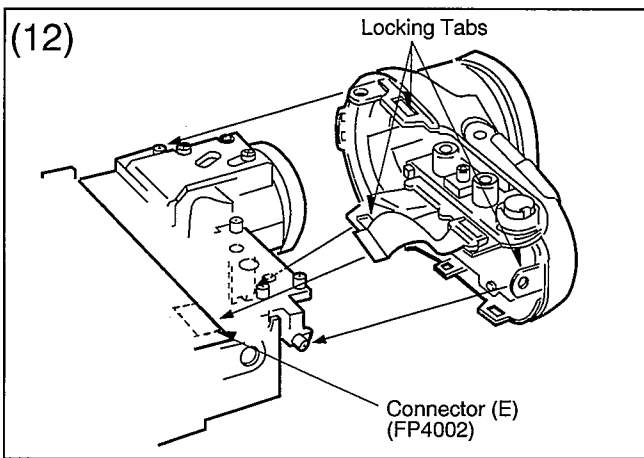
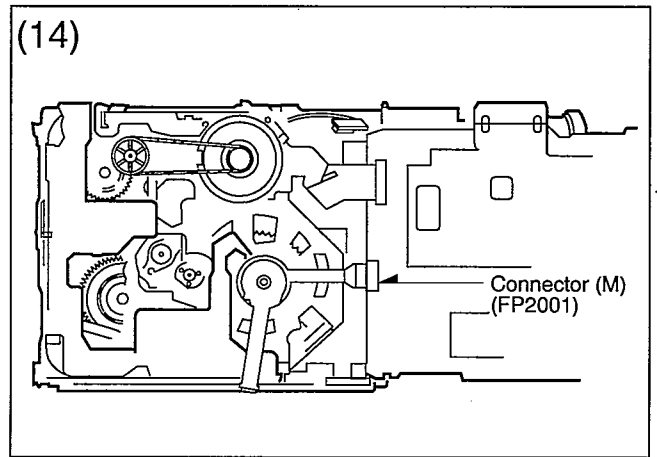
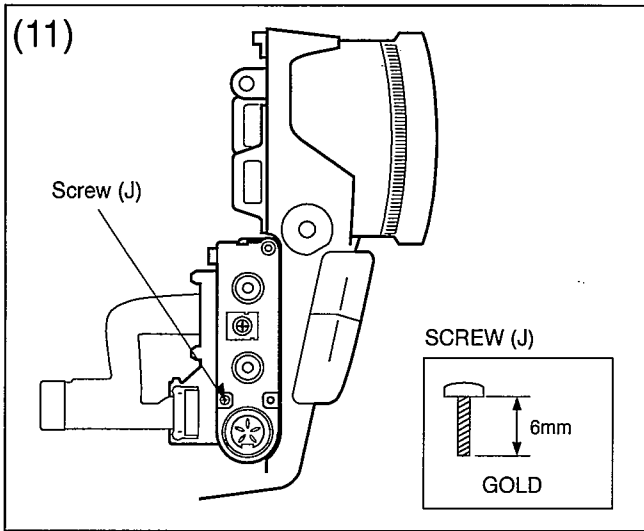
2-1. DISASSEMBLY PROCEDURES

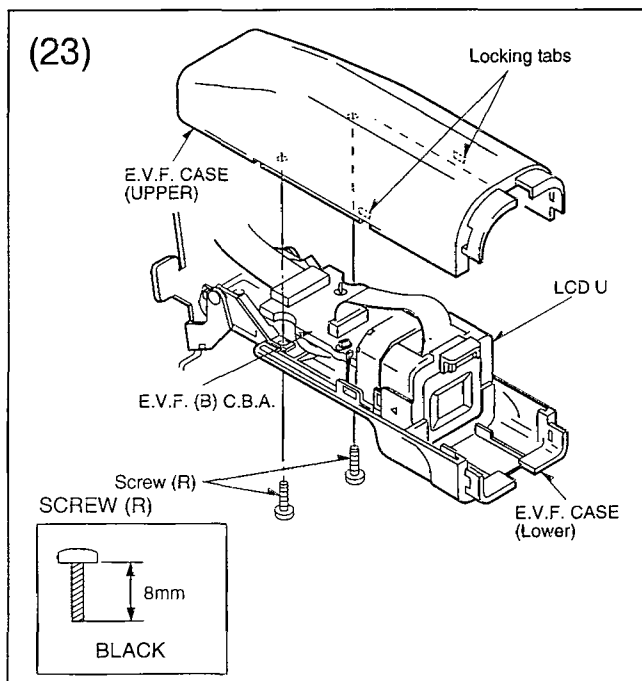
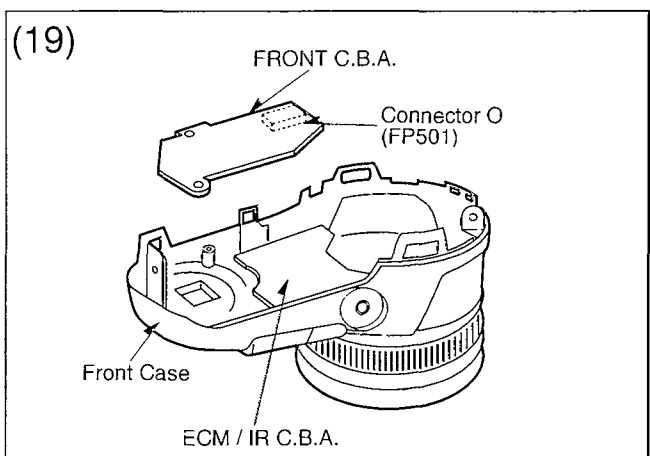
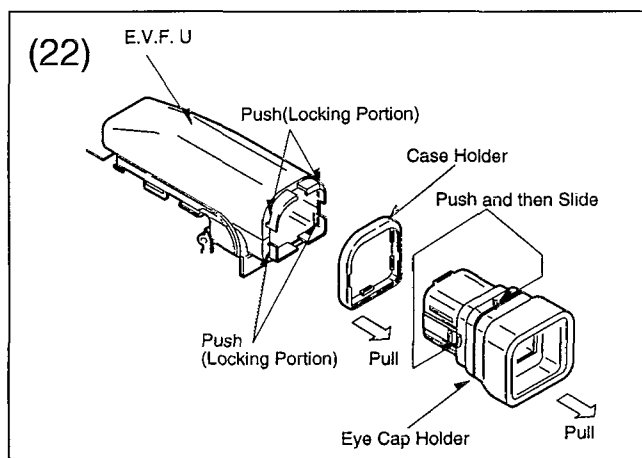
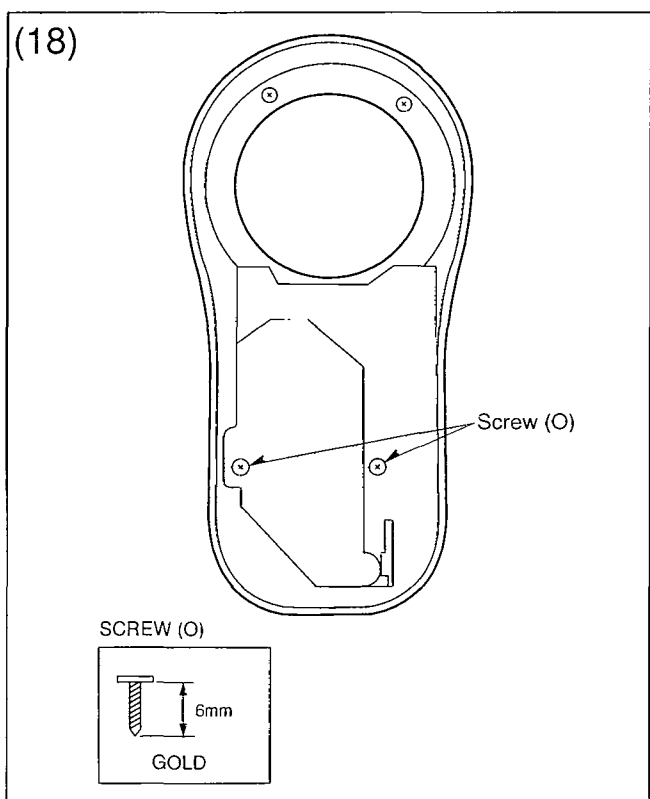
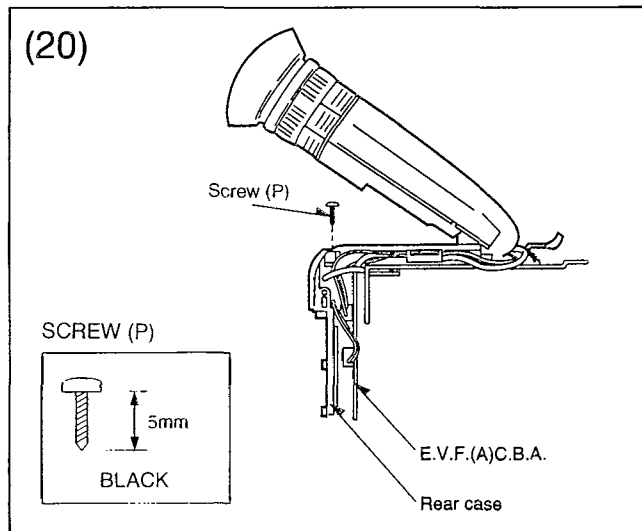
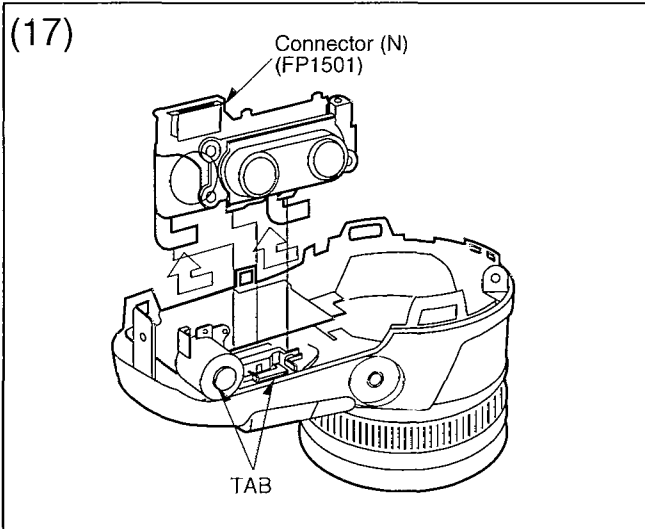
Flow-Chart for Disassembly procedure.

	ITEM/PARTS	Fig.	
(A)	Side Case (L)	(1) (2) (3) (4)	1-SCREW (A) 4-SCREW (B/C/D) 5-SCREW (E) Slightly open the side case (L) Disconnect (Connector A)
(B)	Cassette Cover	(5)	2-SCREW (F)
(C)	Side Case (R)	(6) (7) (8) (9)	1-SCREW (G) Disconnect (Connector B/C) 2-SCREW (H/I) Unlock—3 Locking Tabs Remove the side case (R)
(D)	EVF Unit	(10)	Unlock—2 Locking Tabs Disconnect (Connector D)
(E)	Front Case	(11) (12)	1-SCREW (J) Unlock—3 Locking Tabs Disconnect (Connector E)
(F)	Main C.B.A.	(13) (14)	2-SCREW (K/L) Disconnect (Connector F/G/H/I/J/K/L) Disconnect (Connector M)
(G)	Lens Unit	(15)	2-SCREW (M)
(H)	ECM/IR C.B.A., FRONT C.B.A., AV JACK	(16) (17) (18) (19)	1-SCREW (N) Disconnect (Connector N) Unlock—2 Locking Tabs 2-SCREW (O) Disconnect (Connector O)
(I)	E.V.F C.B.A.	(20) (21) (21) (23) (24) (25)	1-SCREW (P) 1-SCREW (Q) Disconnect (Connector P) 1. Push the locking portion then Pull the Eye Cap Holder. 2. Push the locking portion then Pull the Case Holder 2-SCREW (R) Disconnect (Connector Q/R/S) 1-SCREW (S) 1-SCREW (T)

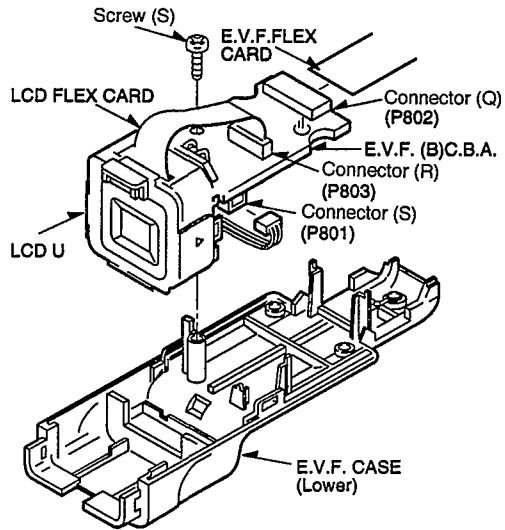




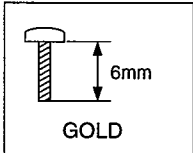




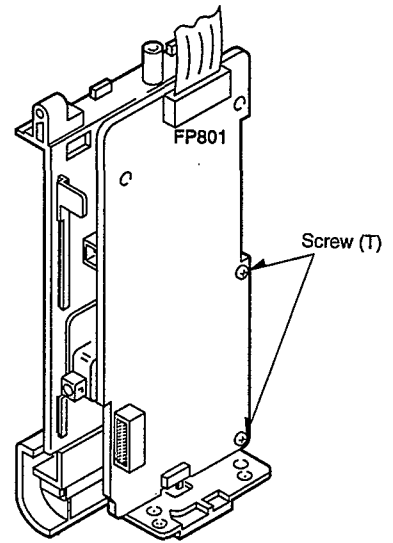
(24)



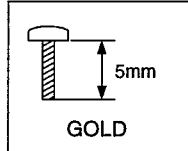
SCREW (S)



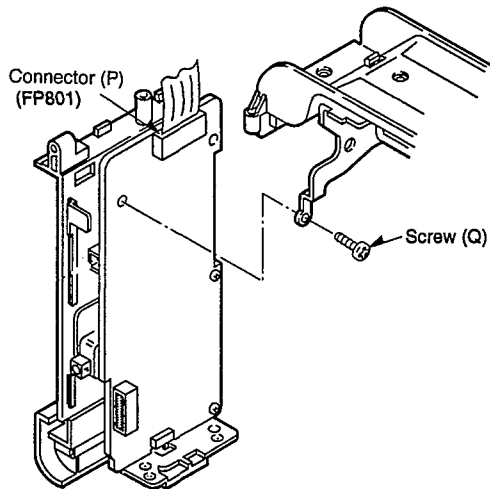
(25)



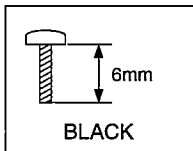
SCREW (T)



(21)



SCREW (Q)



2-2. DISASSEMBLY PROCEDURES OF LENS UNIT

The following flowchart describes order or steps for removing the lens units and certain printed circuit boards in order to make access to the item needing service. To reassemble the unit follow the steps in reverse order.

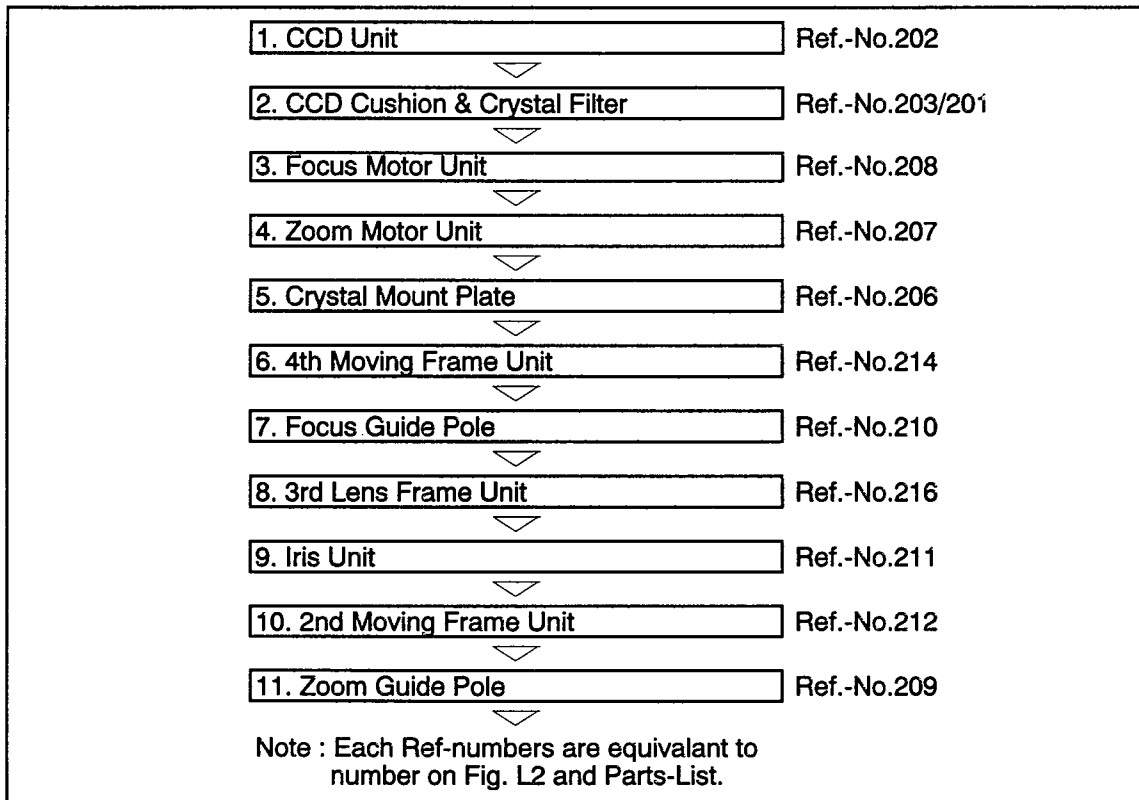


Fig.L1

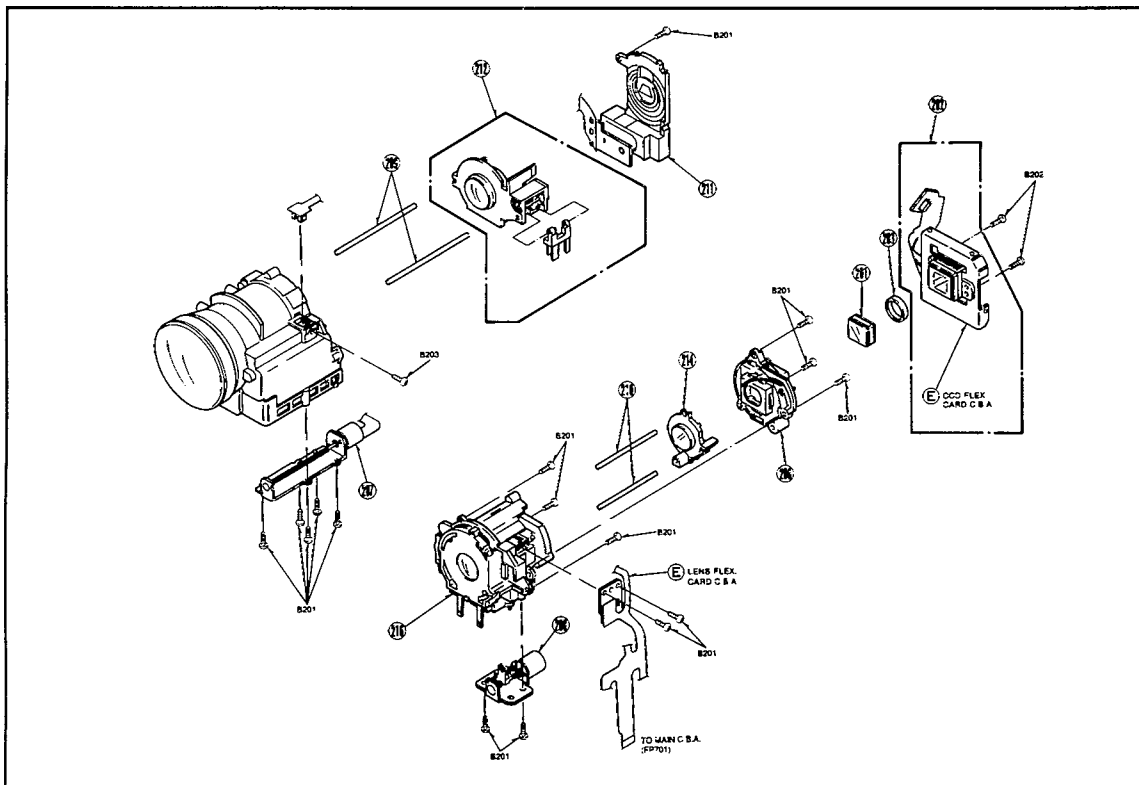


Fig.L2

2-3. ELECTRICAL ADJUSTMENT PROCEDURE FOR E.V.F. SECTION

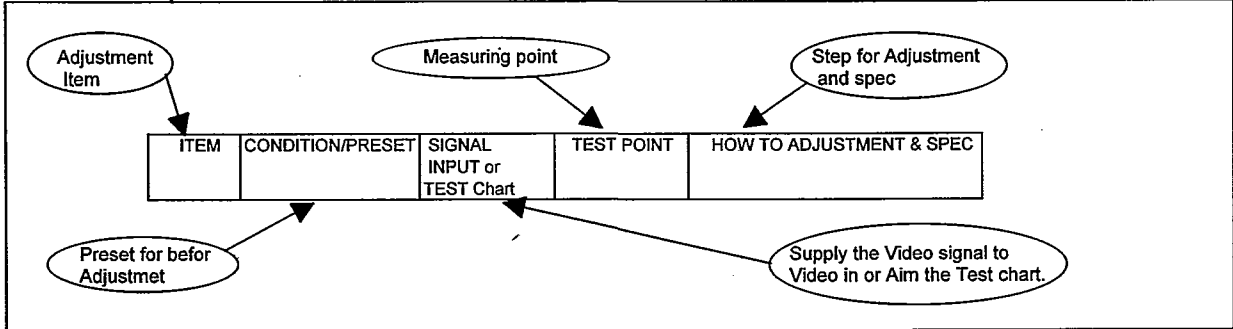
The following Equipment are required for adjustment of the Electric Viewfinder.

1. Chart : Ball chart/Registration chart/Gray Scale chart
2. Tools : Plastic Tip driver.

The following adjustment are Colour Electric Viewfinder.

Preparation: (A). Remove the Casing panels(Side Case, Rear Case)
 (B). Connect the Viewfinder to unit with Extension Cable VFK0668(24pin). Please refer to Fig.E1.
 (C). The camera unit must be completely aligned before viewfinder adjustment.

How to read the Adjustment Procedure.



ADJUSTMENT FOR COLOUR E.V.F SECTION

Note : The camera unit must be completely aligned before viewfinder adjustment.

ITEM	CONDITION/PRESET	SIGNAL INPUT or TEST Chart	TEST POINT	HOW TO ADJUSTMENT & SPEC
1.POWER VOLTAGE	1.Connect the Digital volt meter to CL804.	_____	CL804	1.Turn VR809 so that the voltage at CL804 becomes $12.0 \pm 0.03V$
2.PICTURE CENTRING	1.Aim the camera at the colour bar chart.	Colour bar Chart	CL807 (Or IC802-12)	1.Turn VR808 until $t1 = t2 \pm 0.1\mu\text{sec}$. (Please refer to Fig.E2)
3.PEDESTAL LEVEL	1.Aim the camera at the gray-scale chart. 2.Connect the oscilloscope to CL803.	Gray scale Chart	CL803	1.Turn VR810 so that the "A" level becomes $2.4 \pm 0.1V$ (Please refer to Fig.E3)
4.COLOUR G LEVEL	1.Aim the camera at the gray-scale chart. 2.Connect the oscilloscope to CL803.	Gray scale Chart	CL803	1.Turn VR802 so that the "A" level becomes $1.9 \pm 0.1V$ (Please refer to Fig.E4)
5.TINT	1.Aim the camera at the colour bar chart. 2.Connect the oscilloscope to CL801/CL802.	Colour bar Chart	CL801 (Or IC802-43)	1.Turn VR804/VR803 so that the R/B level becomes Fig.E5 (Please refer to Fig.E5) Also please check viewfinder, picture becomes natural colour.
6.WHITE BALANCE	1.Aim the camera at the gray-scale chart.	Gray scale Chart	E.V.F	1.Turn VR804/VR803 so that the picture on E.V.F. becomes black and white.

PREPARATION

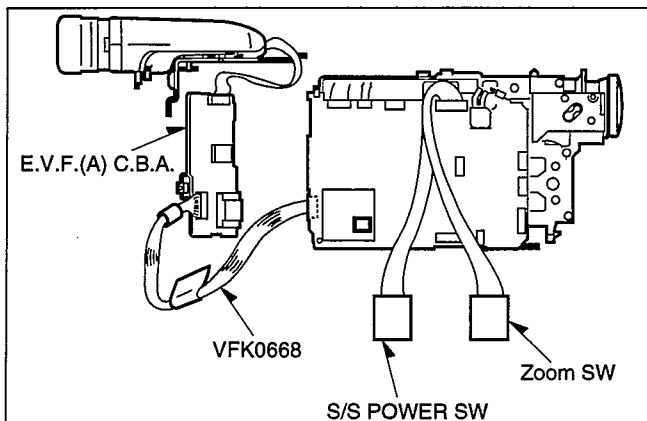


Fig.E1

PICTURE CENTRING ADJUSTMENT

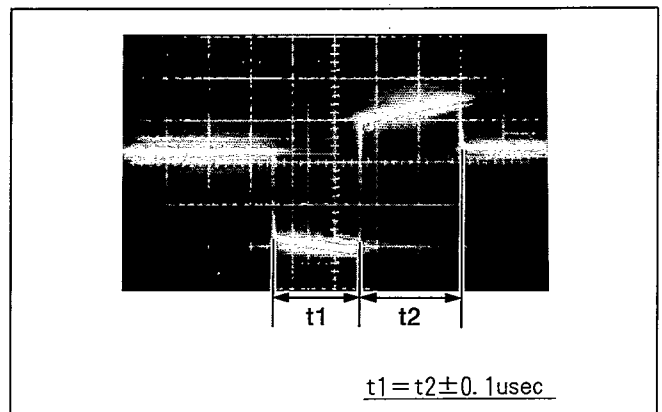


Fig.E2

PEDESTAL LEVEL ADJUSTMENT

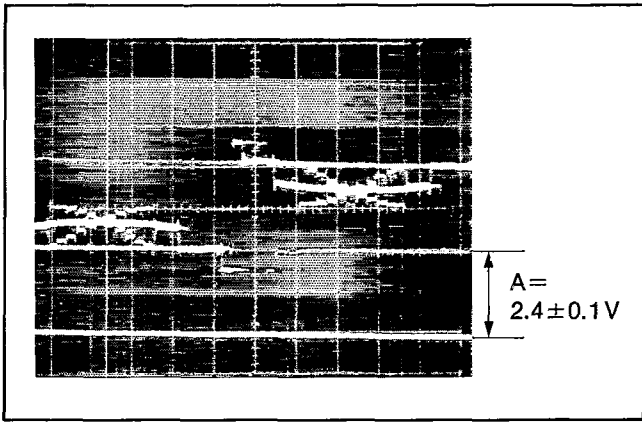


Fig.E3

COLOUR G LEVEL ADJUSTMENT

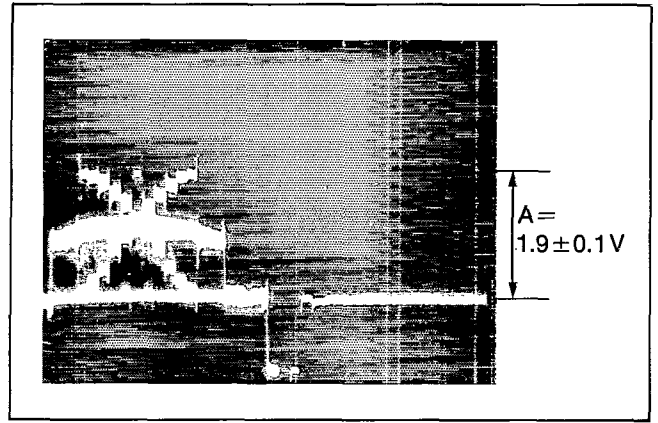
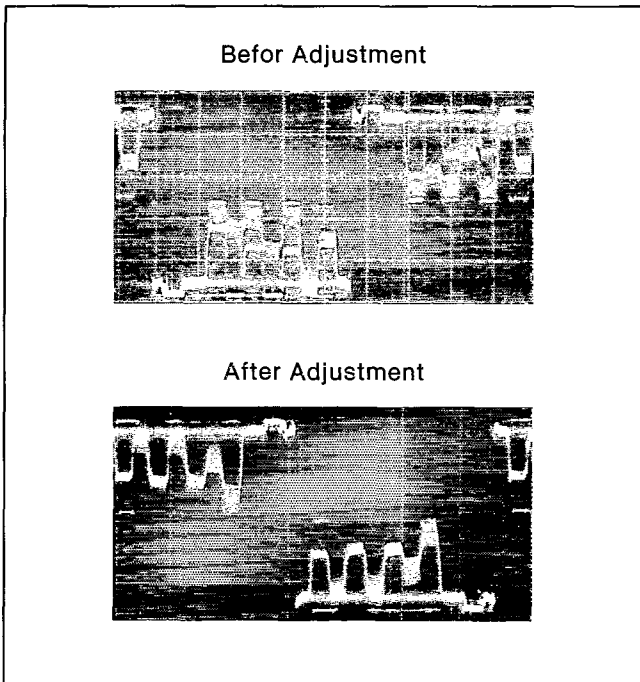


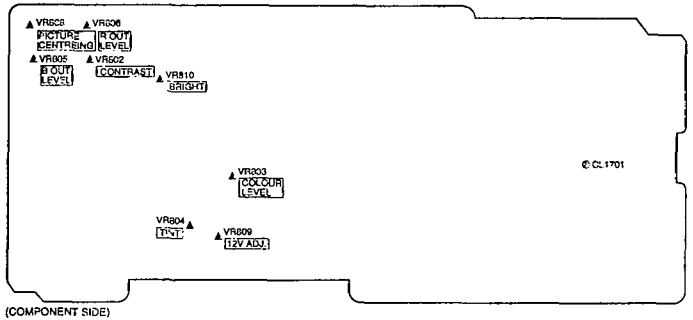
Fig.E4

TINT ADJUSTMENT

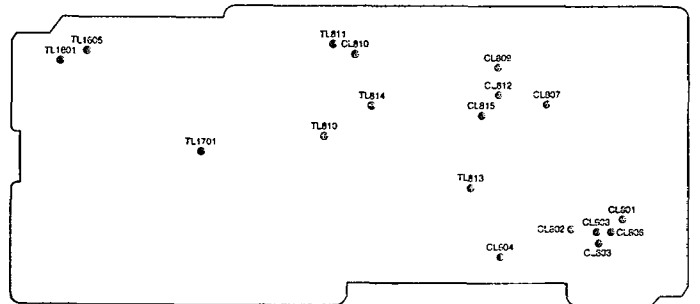


LOCATION OF TEST POINTS & CONTROLS

E.V.F. (A) & DC JACK C.B.A.

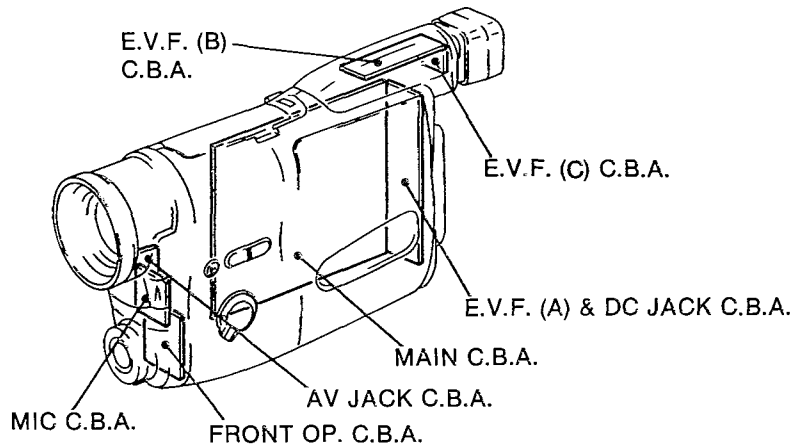


(COMPONENT SIDE)



(FOIL SIDE)

CIRCUIT BOARD LAYOUT



Note: Adjustment for CAMERA/VTR Section required EVR fixture.

So, adjustment procedure described on Service manual VMD9603M117

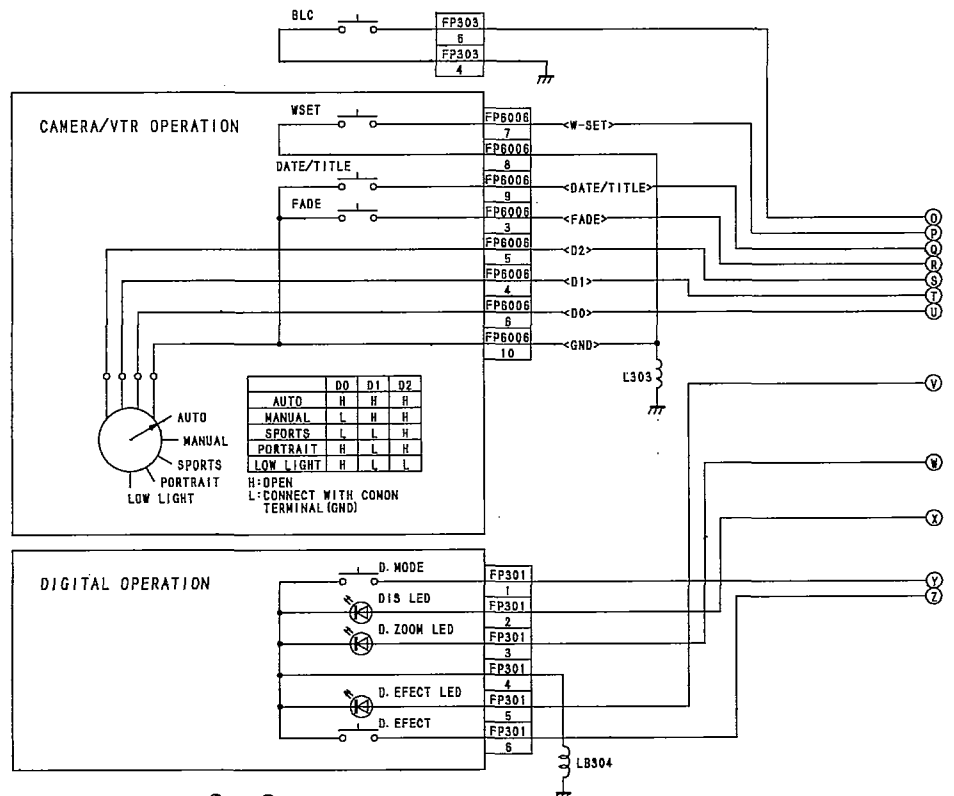
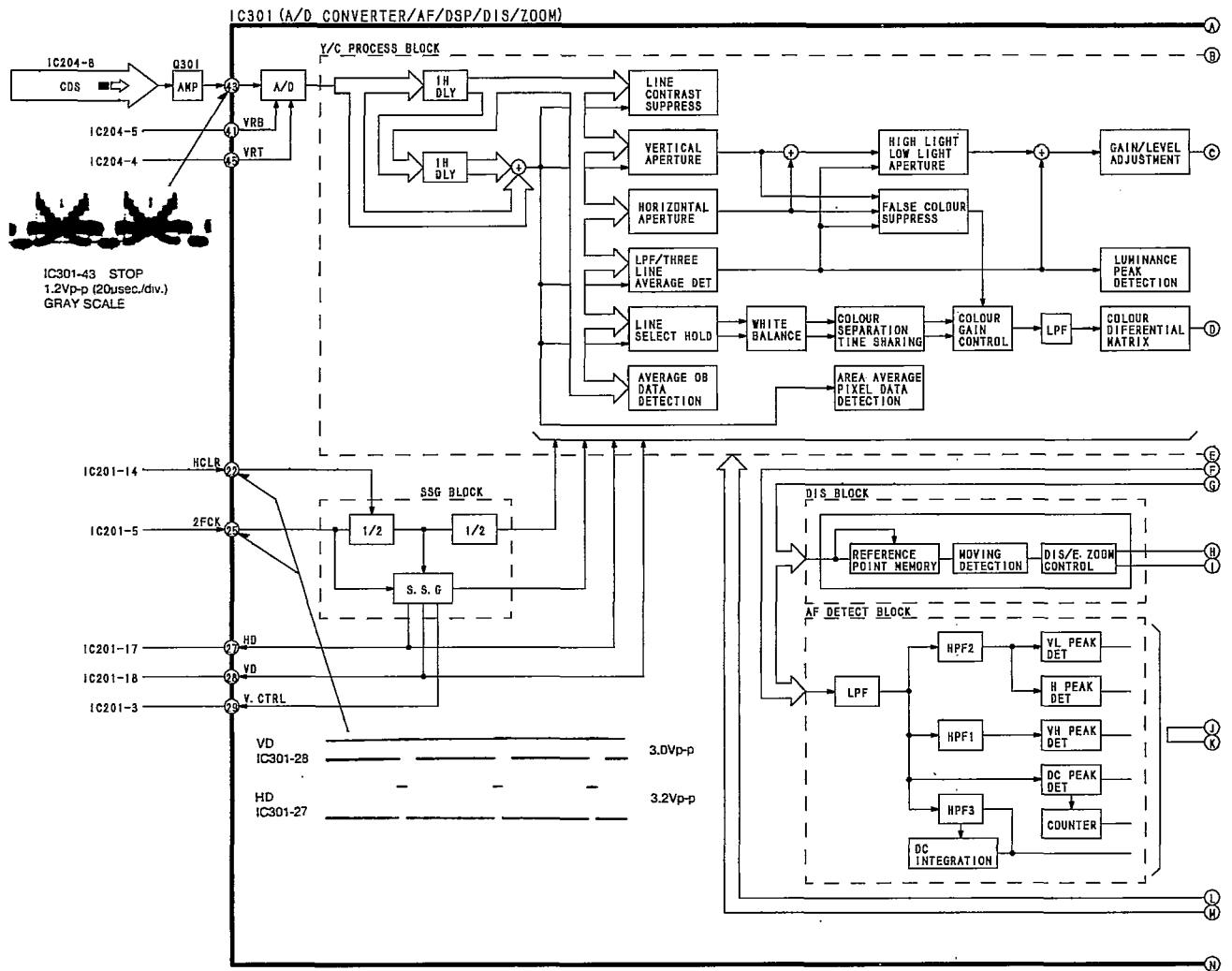
SECTION 3 BLOCK DIAGRAMS & SCHEMATIC DIAGRAMS

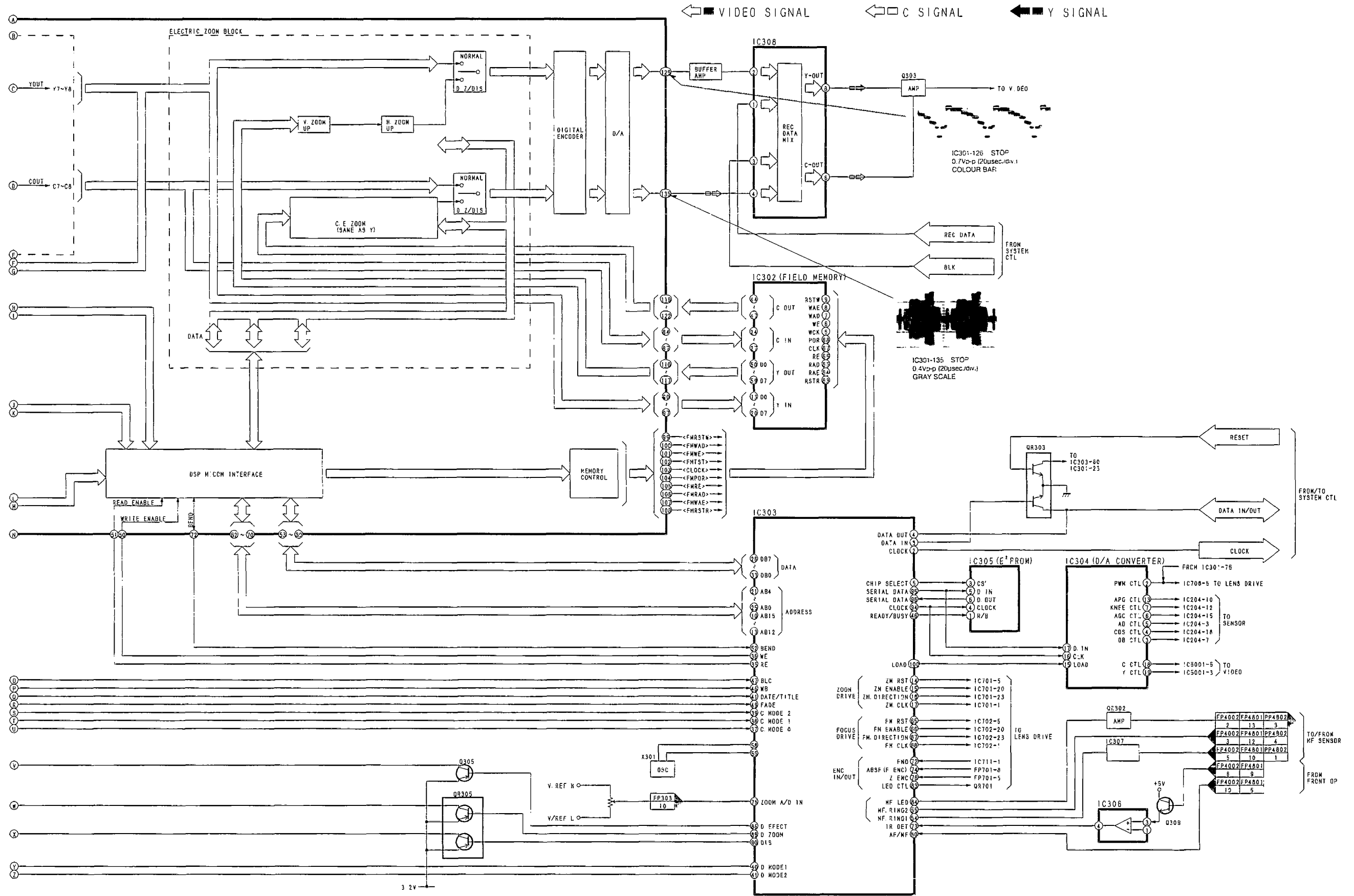
3-1. ABBREVIATIONS

INITIAL/LOGO	ABBREVIATIONS	INITIAL/LOGO	ABBREVIATIONS		
A	A. TR ABSF AD REC ADCLK ADCNT ADCS AE AECNT AEIRQ AFADE AGCCNT AGS ALCCNT ALCMAIN AMUT AORP APCNT APS ARTV ATR AVDD AVSS AWTB AWTR	Auto Tracking Focus Encoder Input Audio Delayed REC Analogue Digital Clock Analogue Digital Control Analogue Digital Chip Select Auto Expose Auto Expose Control Auto Expose Interrupt Request Audio Fade Automatic Gain Control Control Anti Ground Shooting Auto Level Control Control Auto Level Control Drive Audio Mute Audio Overlap Pulse Aperture Control Auto Power Save Artificial Vertical Sync Auto Tracking Analogue VDD Analogue Ground Auto White Balance B-Y Auto White Balance R-Y	D	D MODE DAC DAC DBO-7 DCLR DCP DCLK DIS DISCS DISP DL DL DOCTL DODAT DRK DS DS1, 2 DSP DSP DVDD DVSS DZ	Digital Mode Switch Signal Digital Analog Converter Digital Analogue Converter Data 0-7 Digital Clear Digital Clamp Pulse Digital Clock Digital Image Stabilizer Dis Chip Select Display Delay Line Delay Line Data Output Control Serial Data (to D/A Converter) Dark Double Sampling Pulse Double Sampling Pulse Digital Signal Processor Digital Signal Processor Digital VDD Digital Ground Digital Zoom
B	B-Y KB BACK BCBM(B-Y) BCBM(R-Y) BFA BFND BFO/BFI BL BLC 0, 1 BLDI/O BLK BLKI/O BM BUF	B-Y Carrier Balance Back-up B-Y Carrier Balance R-Y Carrier Balance Burst Plug for Encoder Burst Flag Pulse Burst Plug Input/Output Back Light Back Light Y Control Out, In Back Light Drive Input / Output Blanking Pulse Blanking Pulse In/Out Balance Modulator Buffer	E	E Snap E2P ECM EE CS EEPROM ENV EQ EXT DC EZOOM	Electric Snap Shot EEPROM Electric Condenser Mic EEPROM Chip Select Electric Erasable Programmable Read Only Memory Envelope Equalizer External DC (AC Adaptor) Electric Zoom
C	C CNT C/N CAMCLK CAP R/F/S CAPVM CASDWN CBLK CCW CDS CFEM CGC CH1 CHR MIX CL / CLK CMO CMODE COO-7 COM CP CPOB CPS CRST CS CS 0-7 CSEL CW CYLVM	Colour Control Carrier/Noise Camera Clock Capstan Revers(H)/Stop(M)/Forward(L) Capstan Motor Current Cassette Down Composite Blanking Pulse Counter-Clockwise Correlate Double Sampling Signal Chrominance Memory Signal Chrominance Gain Channel 1 (Odd Field) Character Mix Clock Chroma Memory Output Camera Mode Chrominance Output 0 to 7 (Digital) Common Clamp Pulse Clamp Pulse for Optical Blanking Composite Signal Camera Reset Chip Select Chrominance Signal Out 0-7 Clock Phase Select Clockwise Cylinder Motor Current or Power	F	F FCK FENC FMO-7 FMCS FMDREC FMOEM FMT1-4 FNO	Far (Focus) Clock Focus Encoder Field Memory 0 - 7 Chip Select for FM-Audio FM Audio Delayed REC Field Memory Enable Focus Motor Terminal 1-4 F Value
		G	GCNT GSW	Gain Control Ground for Switching Power	
		H	H1, 2 HASW HBRST HCLR HCP HEX HLT HSS HSS	H. CCD Drive Pulse HEAD AMP SW High Bright Set High Clear Shift Clock for Horizontal Drive Hexadecimal High Bright Signal Horizontal Sync Signal High Speed Shutter	
		I	INTER INV IOU IOV IRDET IRIS/SH IRQ	Interval Recording Inverter R-Y Analogue Signal Output B-Y Analogue Signal Output Infrared Rays Detection Iris / Shutter Control Interrupt Request	
		K	KANDO KND KNEE	Digital Gain Up Digital Gain Up Knee Correction (γ Control)	

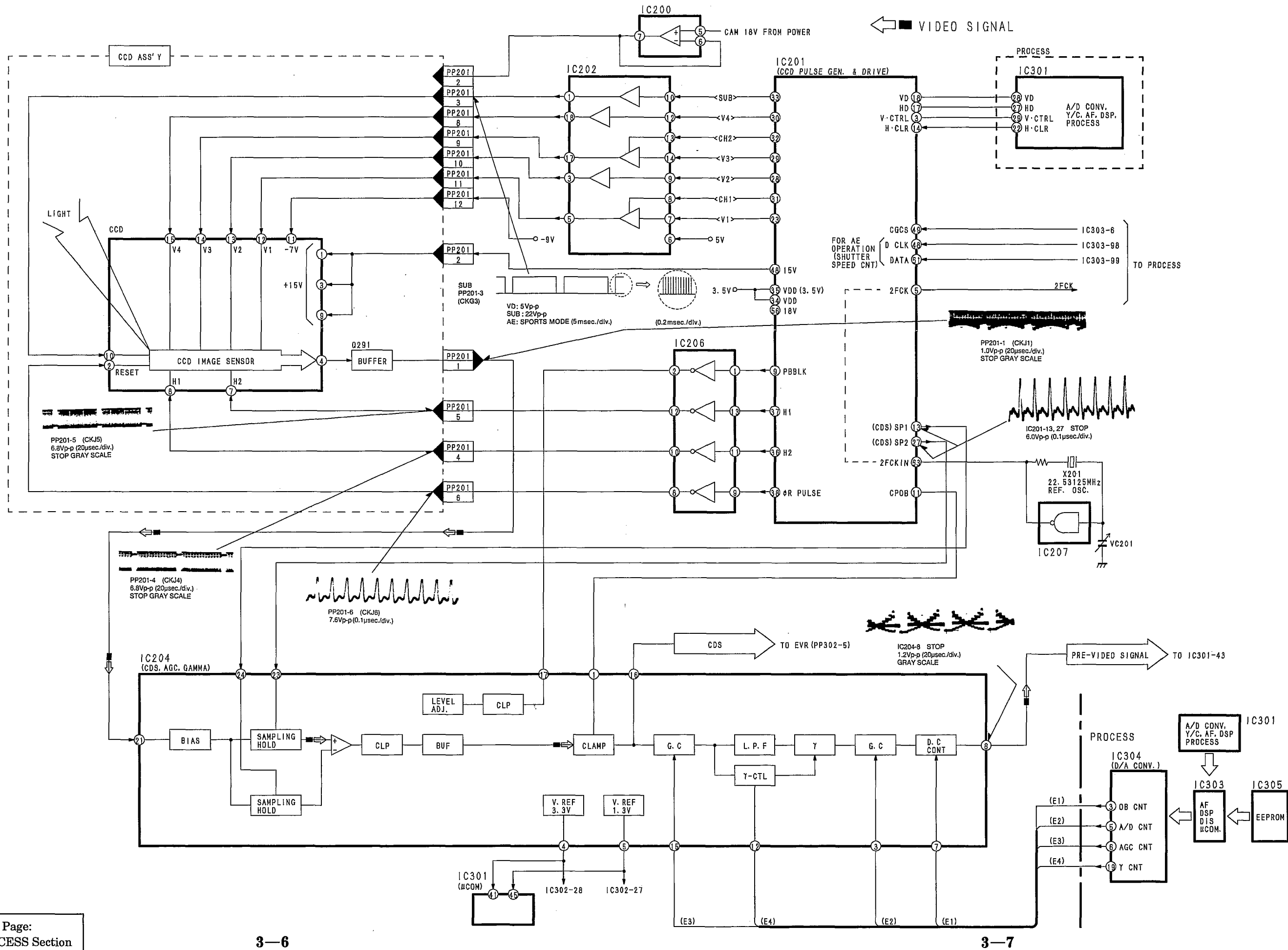
INITIAL/LOGO	ABBREVIATIONS	INITIAL/LOGO	ABBREVIATIONS			
L	LCD	Liquid Crystal Display	S	S PHOT	Supply Photo Transistor	
	LD	Load Pulse		SDET	S-VHS Detect	
	LEDCNT	LED Control		STAB	S-VHS Tab Switch	
	LI-BATT	Lithium Battery		ST5V	Safety Tab 5V	
	LSB	Least Significant Bit		STAB	Safety Tab Switch	
LVL	LPF Switch for Auto Focus	SNS LED		Sensor LED		
M	MD	Modulation		SCK/SCLK	Serial Clock	
	MENB	Focus Motor Enable		SBD	Serial Data	
	MFF	Manual Focus Far		SBI	Serial Data Input	
	MFN	Manual Focus Near		SBO	Serial Data Output	
	MIX N.R.D.	Non Rec Data Mix		SO	Serial Data Output	
	MRST	Focus Motor Reset		SIOC	Serial In/Out Control	
	MSB	Most Signal Bit		SH/IRIS	SHUTTER/IRIS CONTROL	
MVSYNC	Monitor Vertical Sync Signal	S/S		Start/Stop		
N	N	Near (Focus)		SUB CNT	Sub Control	
	N/F	Near/Far Focus		SSG	Sync Signal Generator	
	N/P	NTSC/PAL		T	T PHOT	Take-up Photo Transistor
	NC	No Connection			TBC	Time Base Control
	NDE	Non Liner De-Emphasis			TL	Torque Limit
	NLE	Non Liner Emphasis			TRFIX	Tracking Fix
	NR	Noise Reduction			TRIWAVE	Tracking Wave
	NRD	Non Rec Data		TRP	Tracking Position	
	NRD BLK	No Rec Data Blanking		U	U/V SEL	R-Y/B-Y Select Signal
	NRD CLK	No Rec Data Clock			UV SEL	R-Y/B-Y Select Signal
	NRDBLK	Non Rec Data Blanking		V	V1-V4	V. CCD Drive Pulse
	NRE	Read Enable Input (Low Active)	VB		VH Filter Switching	
	NWE	Write Enable (Low Active)	VCO		Voltage Control Oscillator	
O	CBCNT	Optical Black Control	VCP		Shift Clock Output for Vertical Drive	
	OE	Output Enable	VCTRL		Voltage Charge Control	
	OP	Operation AMP Output	VD		Vertical Drive Pulse	
	OSD	ON Screen Display	VDREC		Video Delayed Rec	
	OVL	Overlap Pulse	VIN		Video In	
OZ	Optical Zoom	VITC	Vertical Interval Time Code			
P	PAJ	Picture Control	VL		Low Voltage	
	PB1-3	PNP Base 1-3	VM		Motor Voltage	
	PBCTL	Play Back Control	VMD1-3		Electric Shutter Mode	
	PBCTL	Pre-Blanking Control	VMODE		NTSC/PAL Select Switch	
	PBLK	Pre-Blanking (Pulse)	VMVH	VH Filter Switching		
	PCBM	Carrier Balance	VORP	Video Overlap		
	PED	Pedestal	VRB	Voltage Reference Bottom		
	PEDECNT	Pedestal Control	VREF1R3V	Reference Voltage 1.3V		
	PREAMP	Pre-AMP	VREF3R3V	Reference Voltage 3.3V		
	PREBLK	Pre-Blanking	VREFH	Reference Voltage High Side		
	PT	Protect for V Voltage	VREFL	Reference Voltage Low Side		
	PWM	Pulse Width Modulation	VRI	Reference Voltage Input		
	R	R/B	Read/Busy	VRO	Reference Voltage Output	
R-Y KB		R-Y Carrier Balance	VRT	Voltage Reference Top		
RAD		Read Address Data	VSS	Vertical Sync Signal		
RAE		Read Address Enable	W	WAD/WAE	Write Address Enable	
RE		Read Enable		WB	White Balance	
RE		Rotary Erase Head		WE	Write Enable	
REC CCNT		Rec Current Control		WEM	Memory Write Enable	
RECCTRL		Recording Control Pulse	WHD	Wide Horizontal Drive Pulse		
RERASE		Rotary Erase Head	Y	YNCST	Noise Cancellor	
RST		Reset		YNR	Noise Reduction	
RSTPWD		Reset Power Down Input	Z	Z. ENC	Zoom Encoder	
RSTR		Reset Read		Z. MIC	Zoom Mic	
RSTW		Reset Write		ZENC	Zoom Encoder Output	
RW	Read Write	ZMT (+)/(-)		Zoom Motor (+)/(-)		
RWAE	Read Write Enable	ZMTER		Zoom Motor Tele Side		
		ZMW		Zoom Motor Wide Side		

3-2. PROCESS BLOCK DIAGRAM



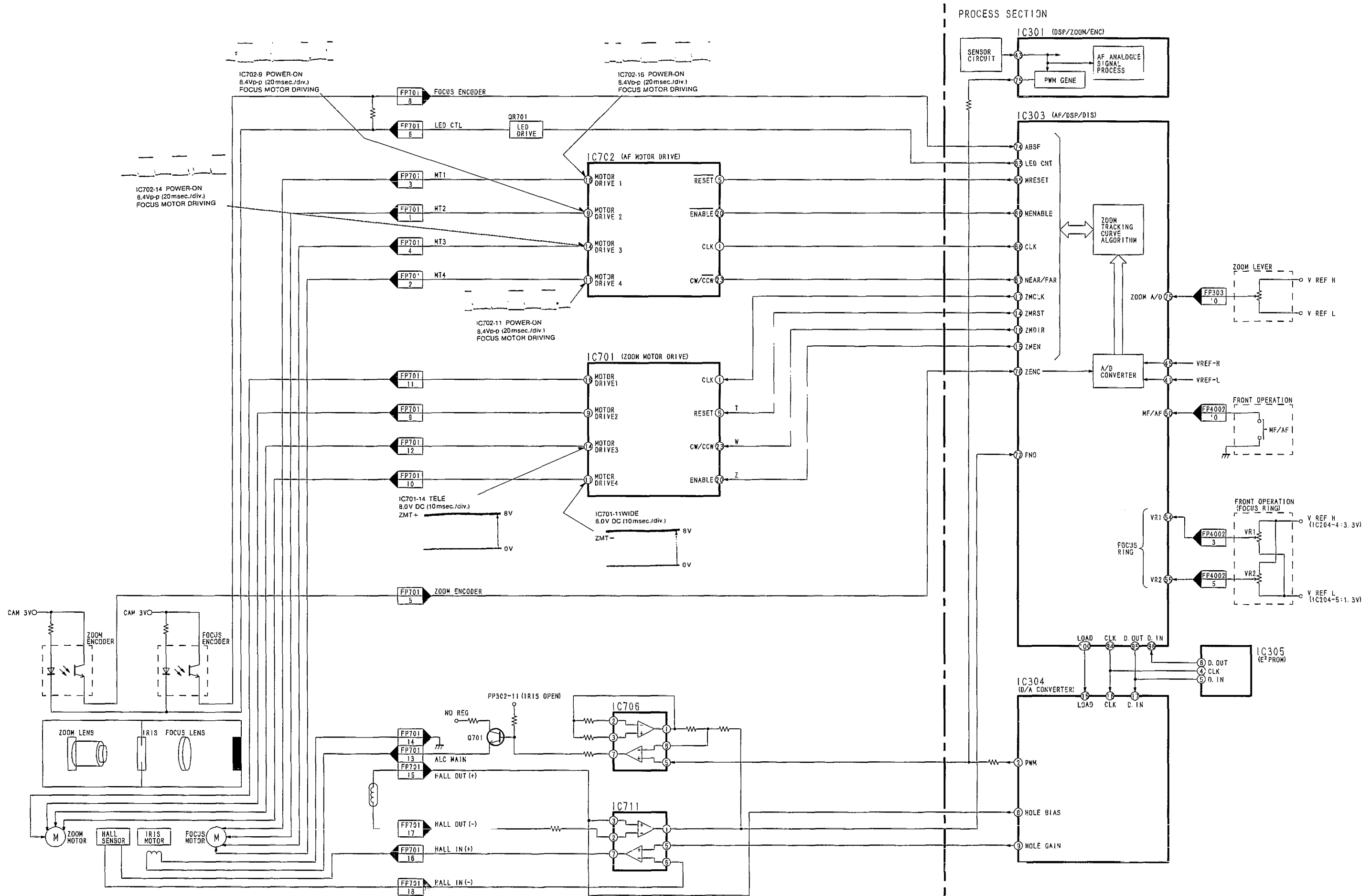


3-3. SENSOR BLOCK DIAGRAM

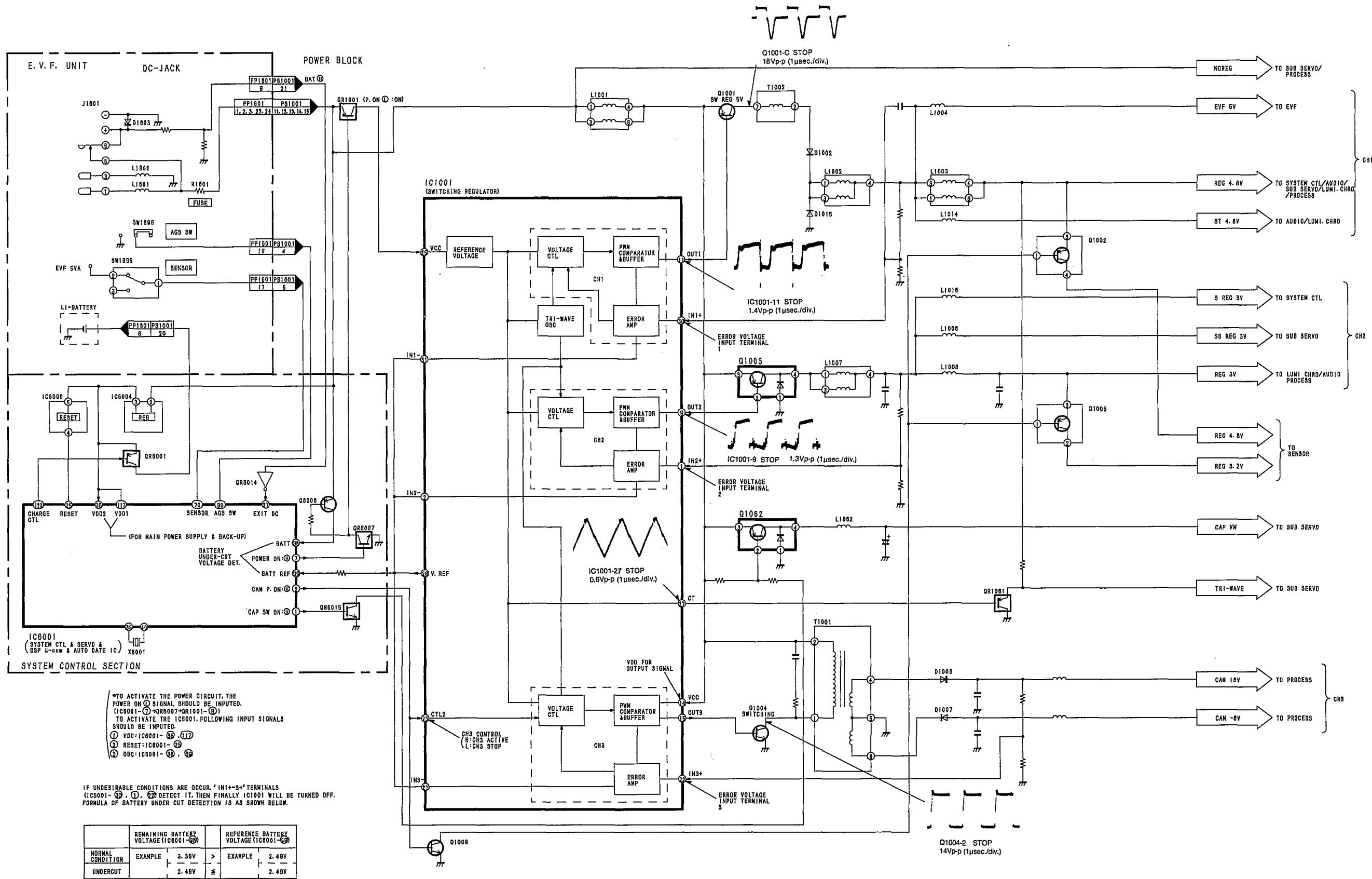


Back Page:
PROCESS Section

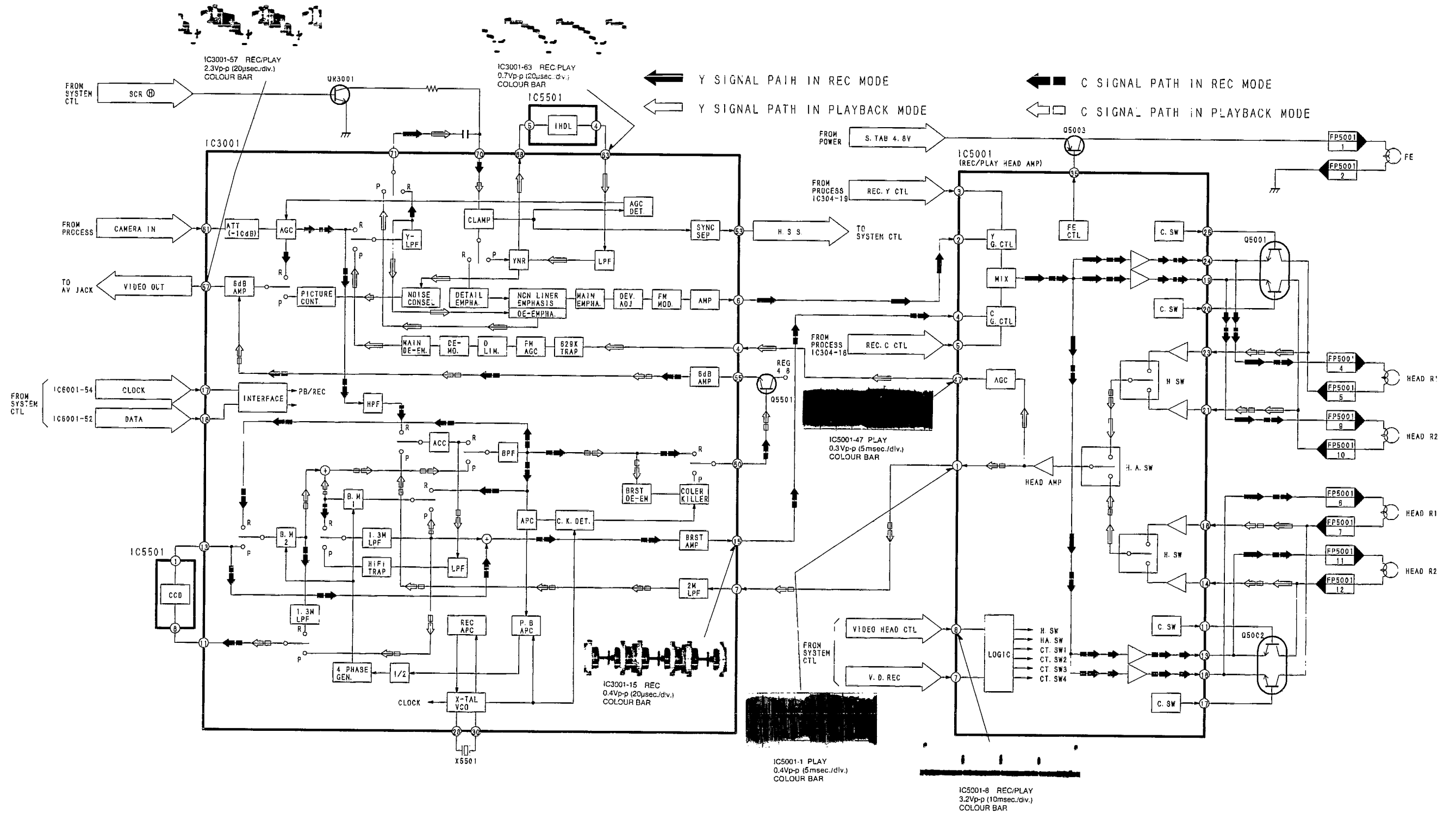
3-4. LENS DRIVE BLOCK DIAGRAM



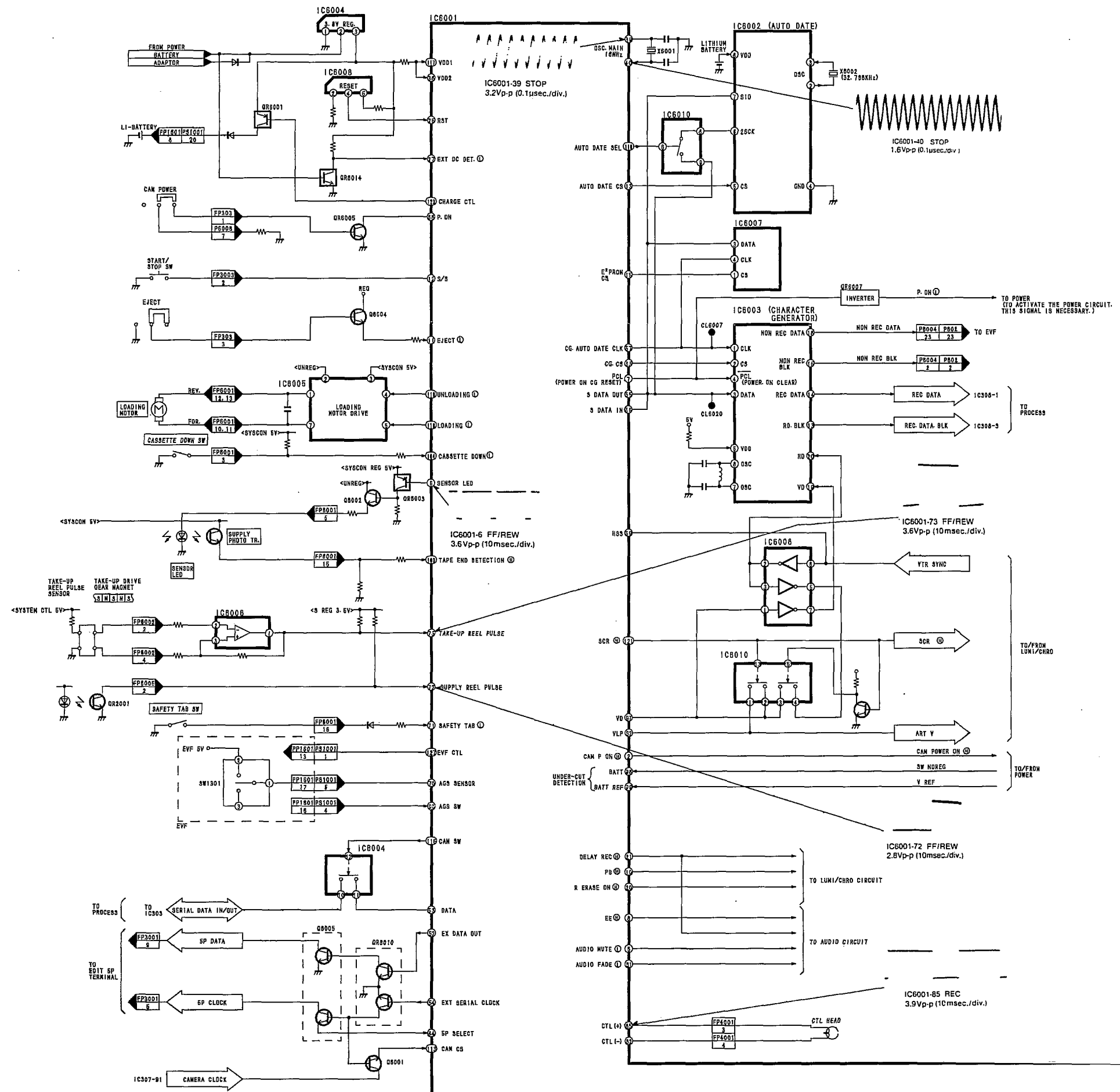
3-5. POWER BLOCK DIAGRAM



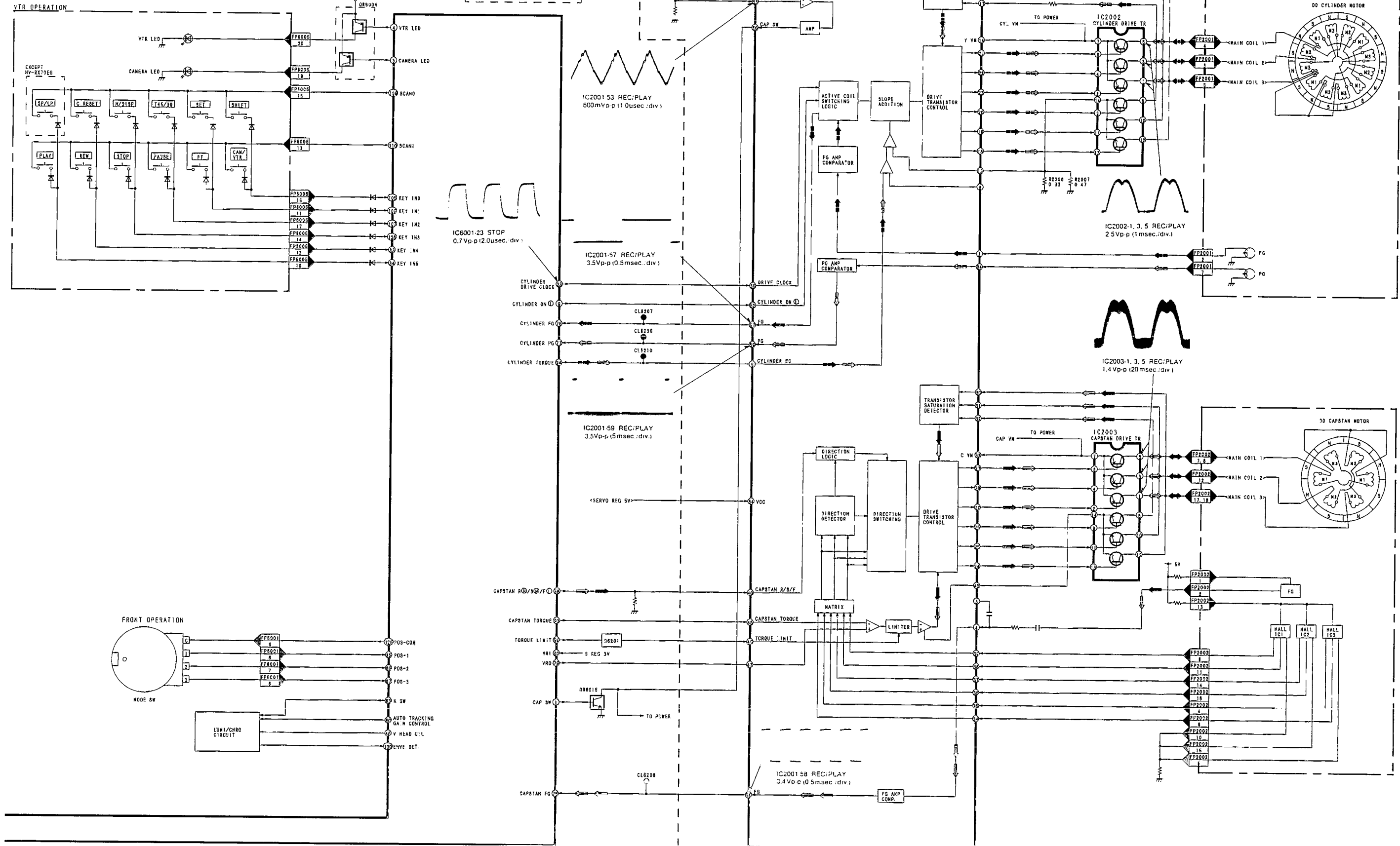
3-6. LUMINANCE/CHROMINANCE BLOCK DIAGRAM



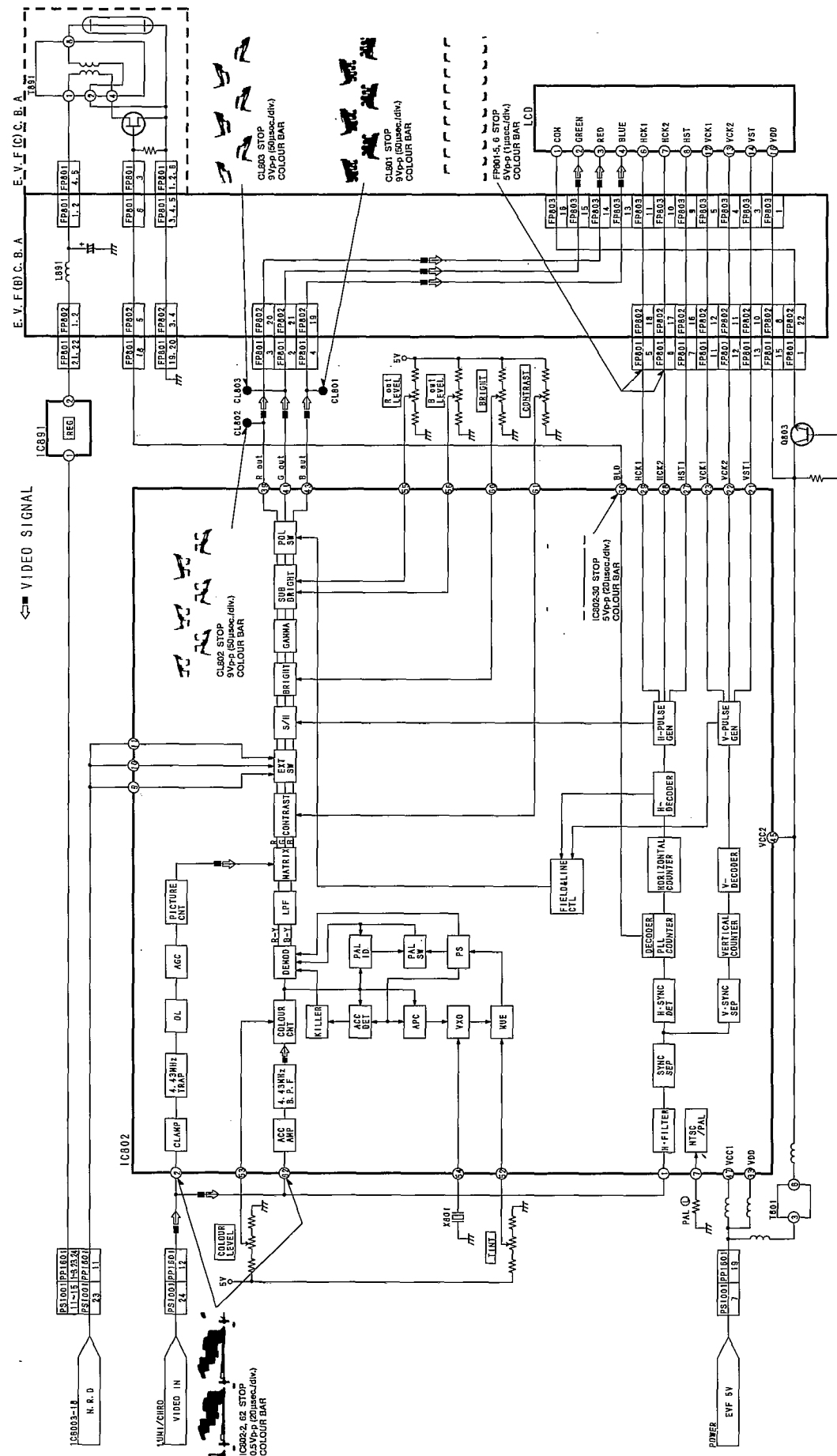
3-7. SYSTEM CONTROL & SERVO BLOCK DIAGRAM



← CAPSTAN SERVO SPEED LOOP
 ← CAPSTAN SERVO PHASE LOOP

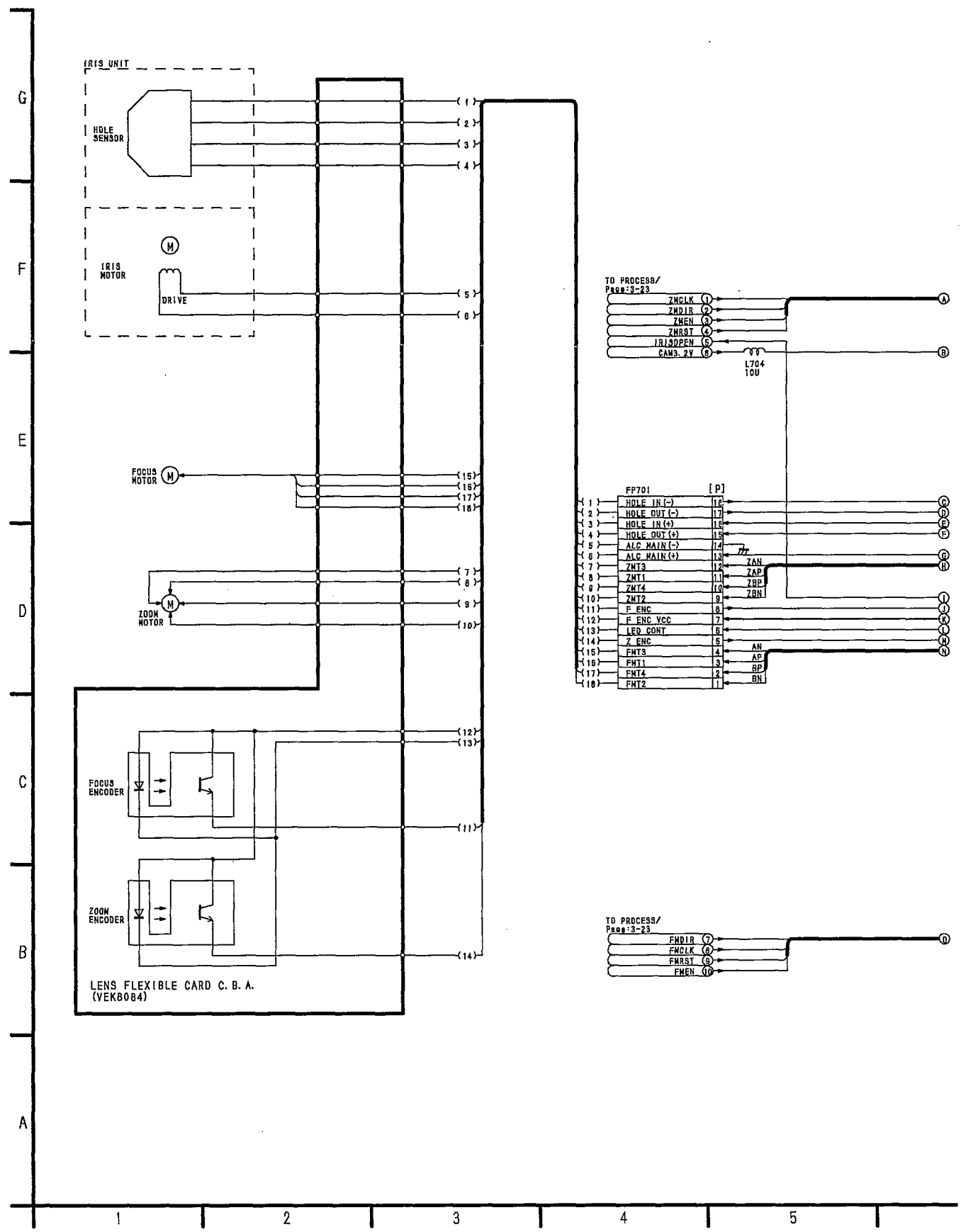


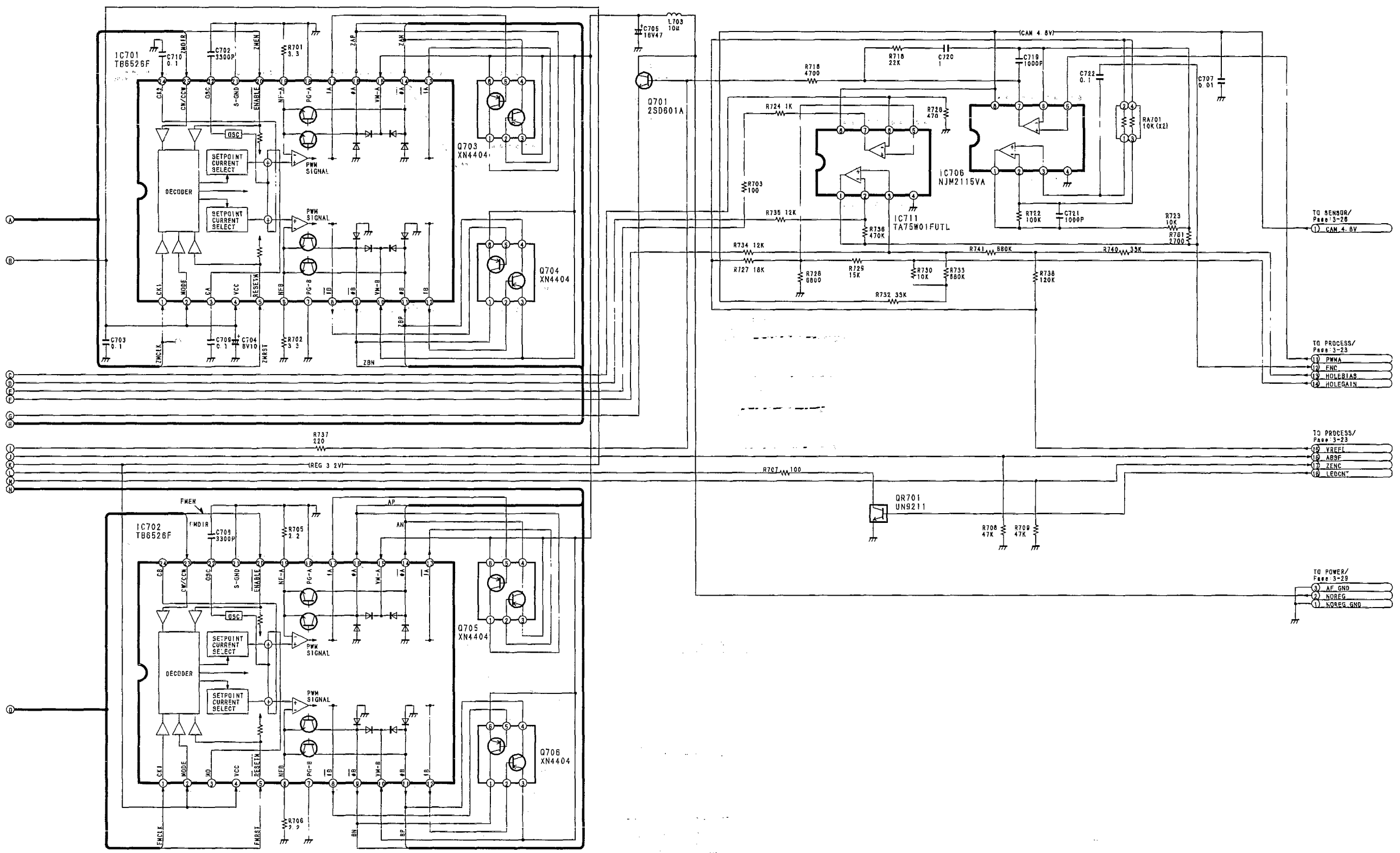
3-8. EVF BLOCK DIAGRAM



Back Page:
SYSTEM CTL & SERVO Section

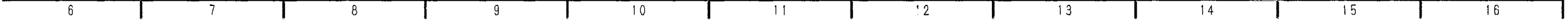
3-9. LENS DRIVE SCHEMATIC DIAGRAM



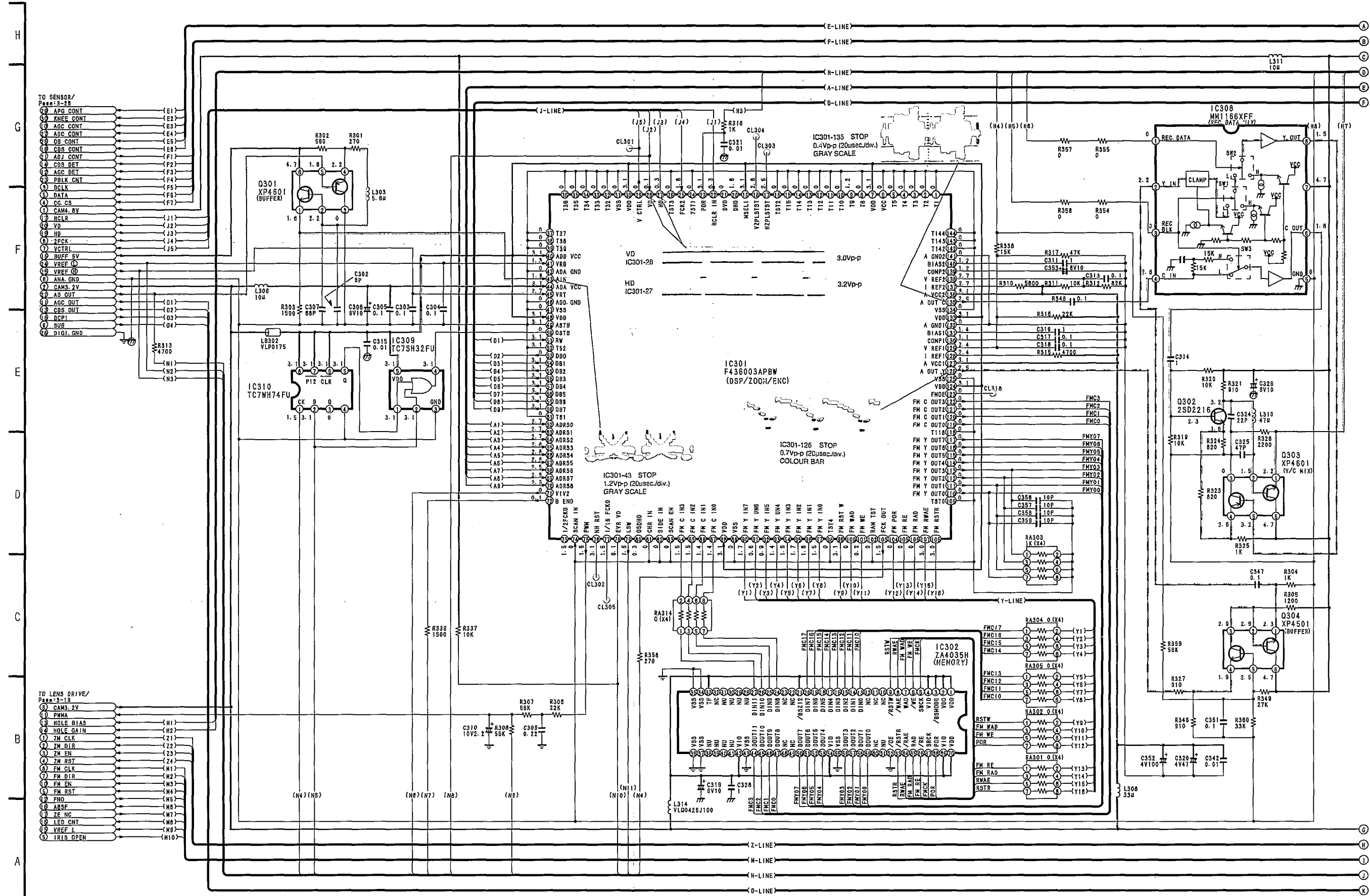


NOTE: DO NOT USE ANY PART NUMBER SHOWN ON THIS SCHEMATIC DIAGRAM FOR ORDERING WHEN YOU ORDER A PART. PLEASE REFER TO PARTS LIST.

NOTE: THE MEASUREMENT MODE OF THE DC VOLTAGE ON THIS DIAGRAM IS STOP MODE WITH AIM THE CAMERA AT THE LOGARITHMIC GRAY SCALE CHART.

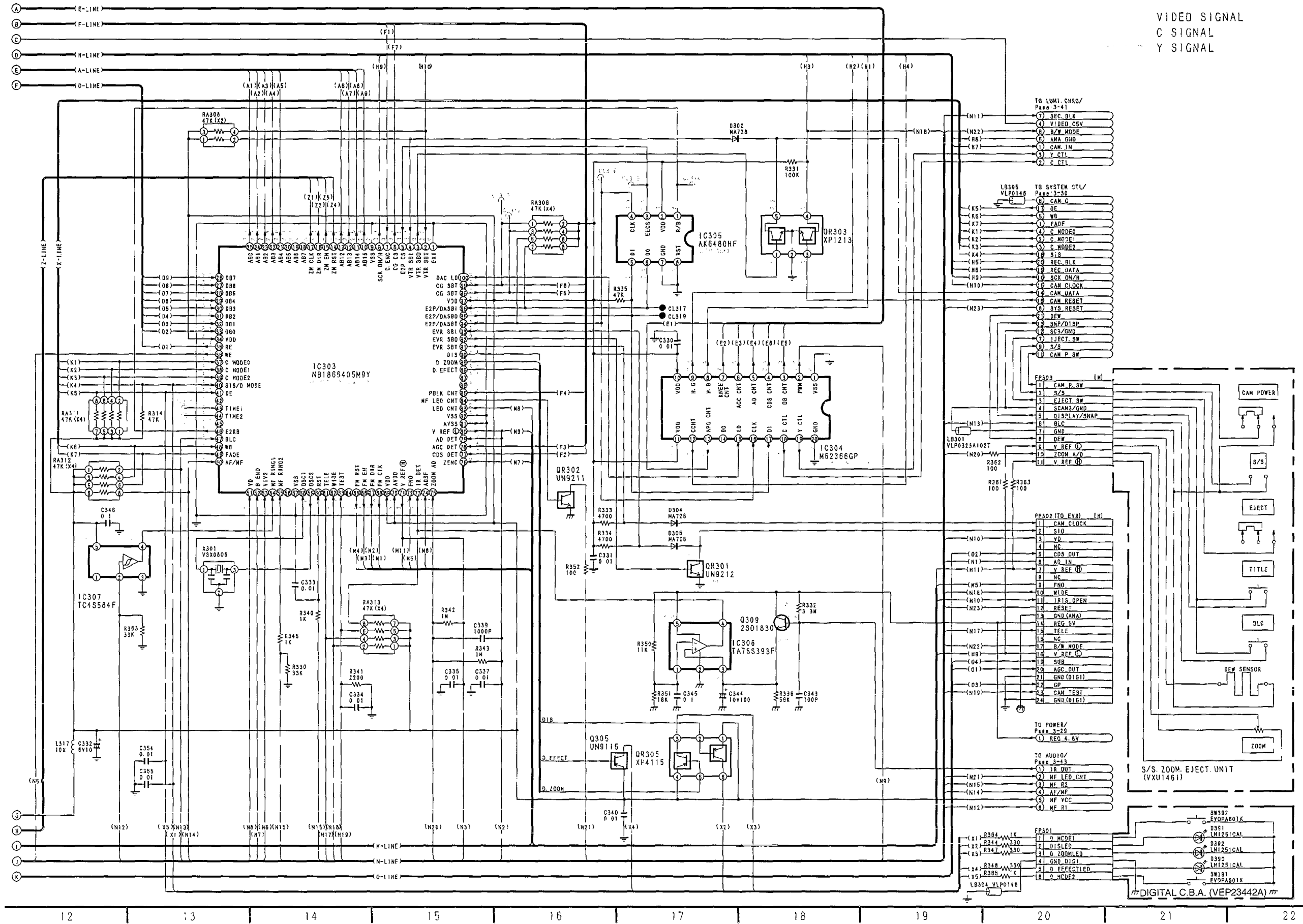


3-10. PROCESS SCHEMATIC DIAGRAM



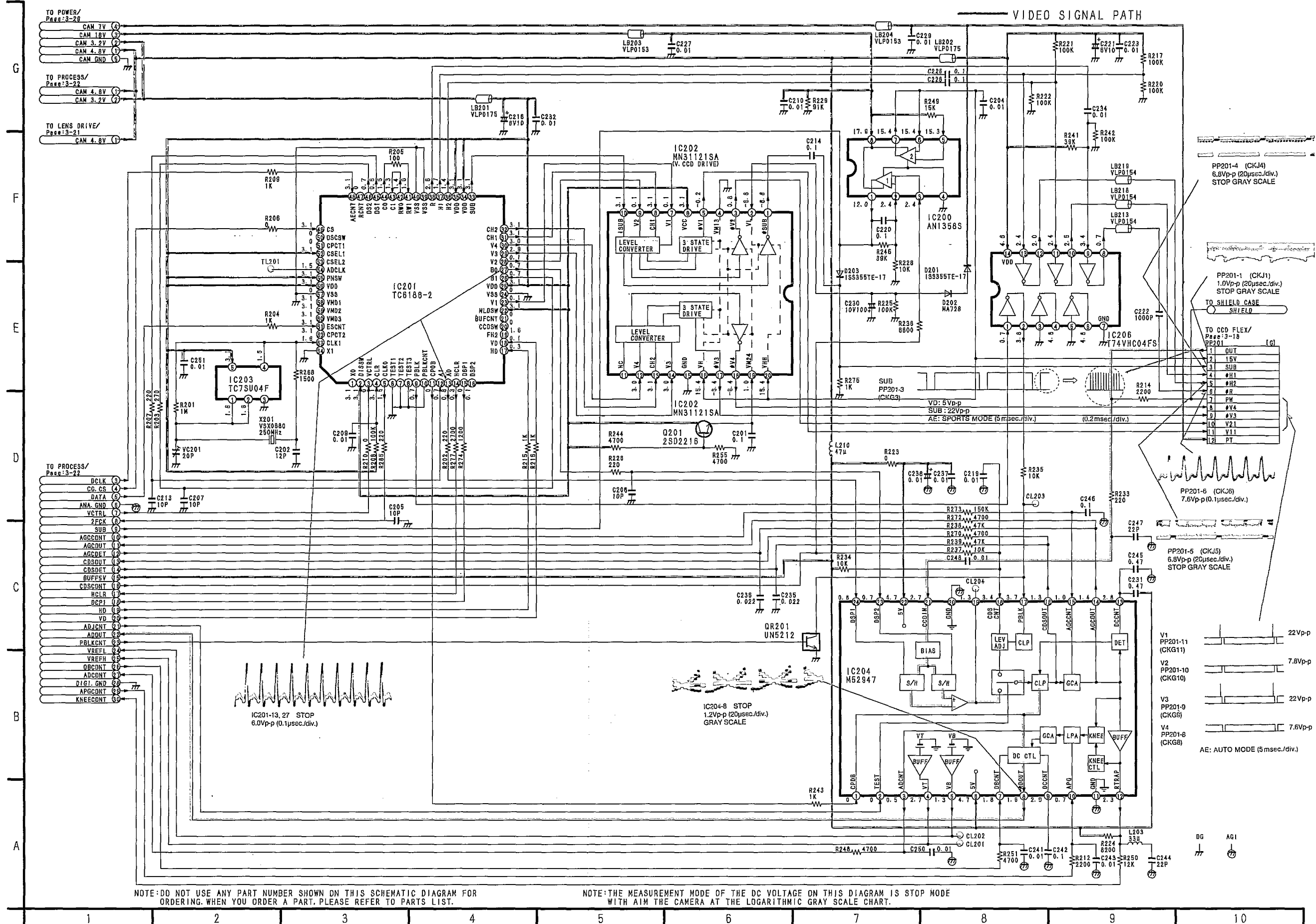
NOTE: DO NOT USE ANY PART NUMBER SHOWN ON THIS SCHEMATIC DIAGRAM FOR ORDERING. WHEN YOU ORDER A PART, PLEASE REFER TO PARTS LIST.

NOTE: THE MEASUREMENT MODE OF THE DC VOLTAGE ON THIS DIAGRAM IS STOP MODE WITH AIM THE CAMERA AT THE LOGARITHMIC GRAY SCALE CHART.



VIDEO SIGNAL
C SIGNAL
Y SIGNAL

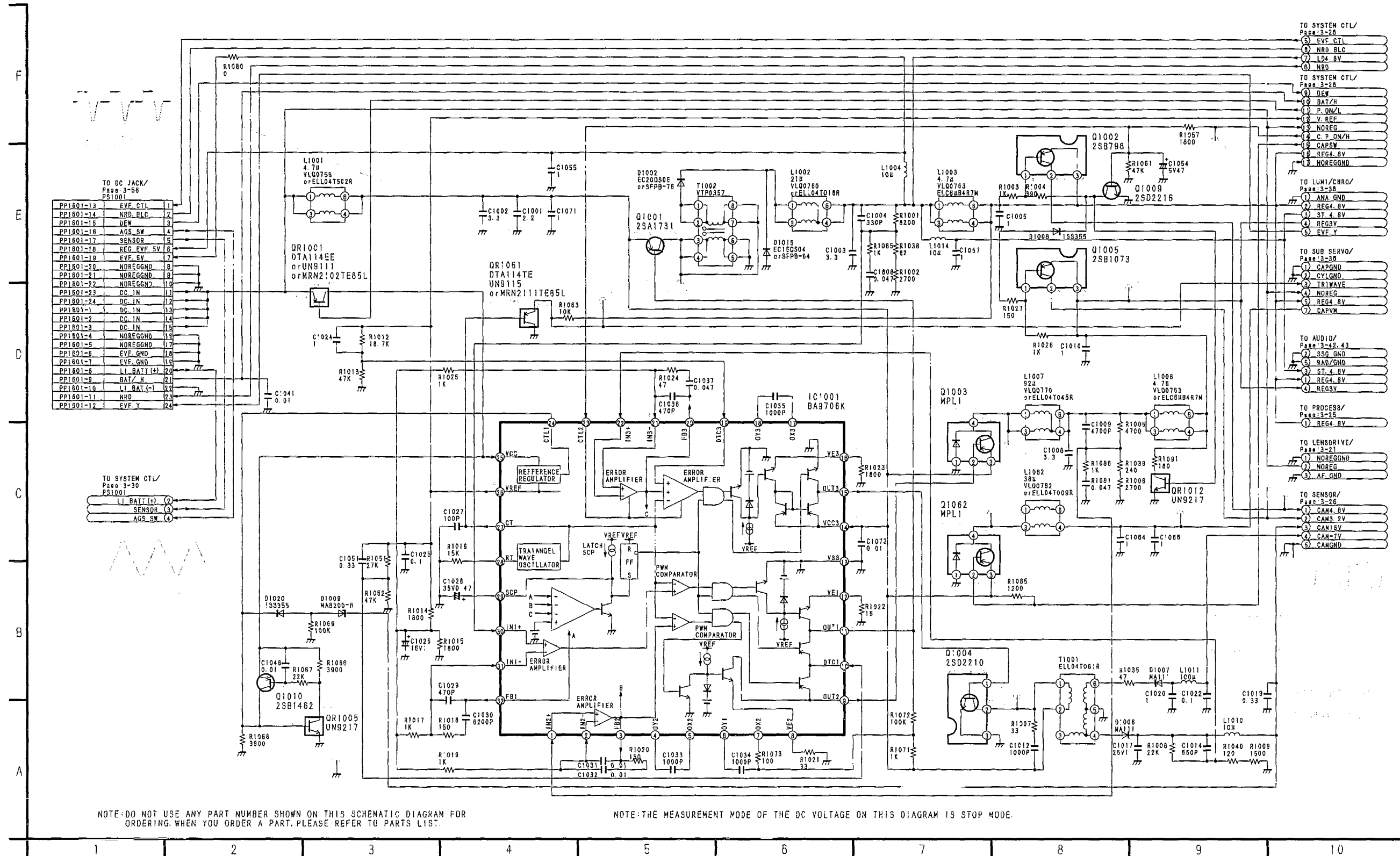
3-11. SENSOR SCHEMATIC DIAGRAM



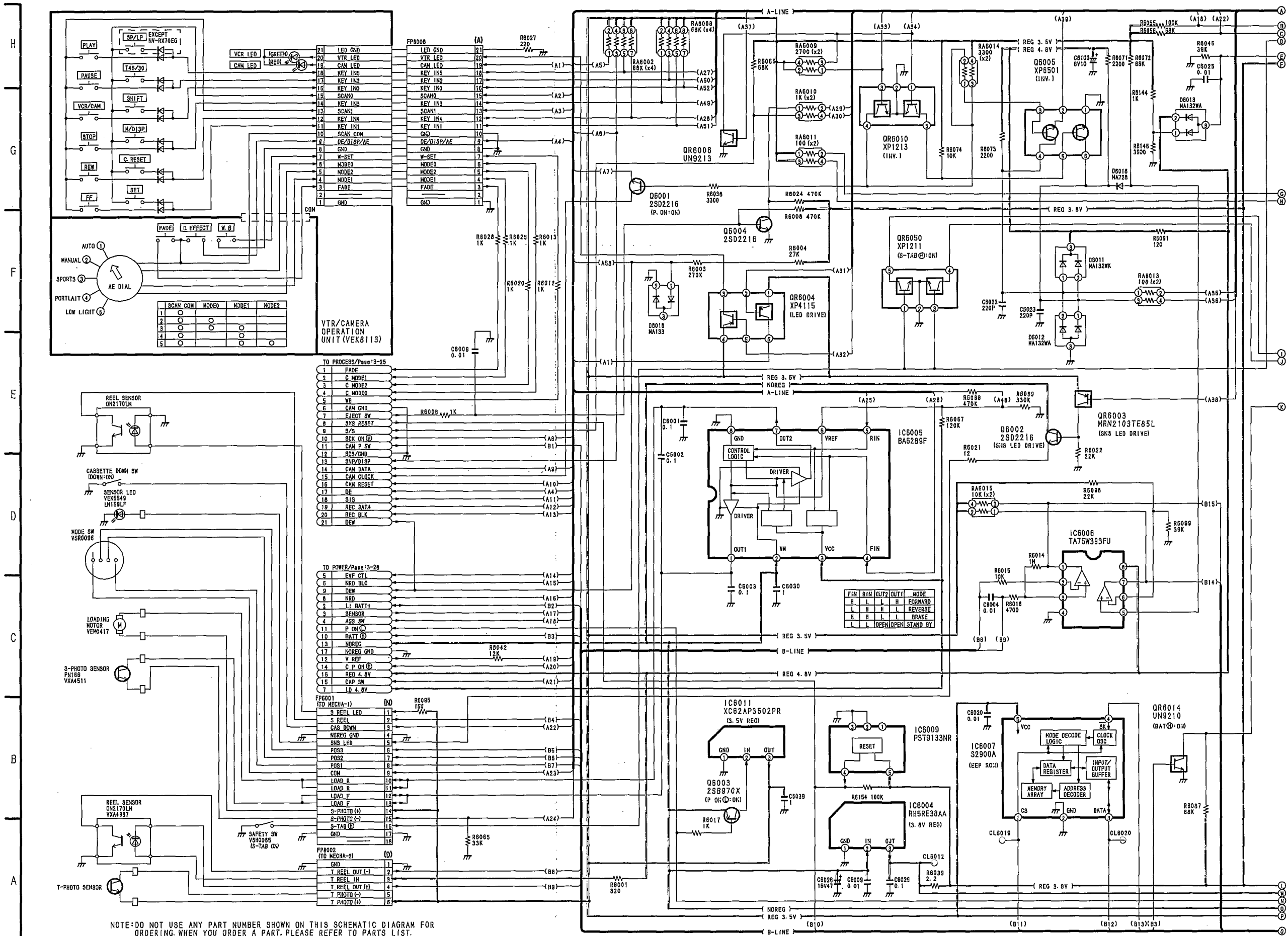
NOTE: DO NOT USE ANY PART NUMBER SHOWN ON THIS SCHEMATIC DIAGRAM FOR ORDERING. WHEN YOU ORDER A PART, PLEASE REFER TO PARTS LIST.

NOTE: THE MEASUREMENT MODE OF THE DC VOLTAGE ON THIS DIAGRAM IS STOP MODE WITH AIM THE CAMERA AT THE LOGARITHMIC GRAY SCALE CHART.

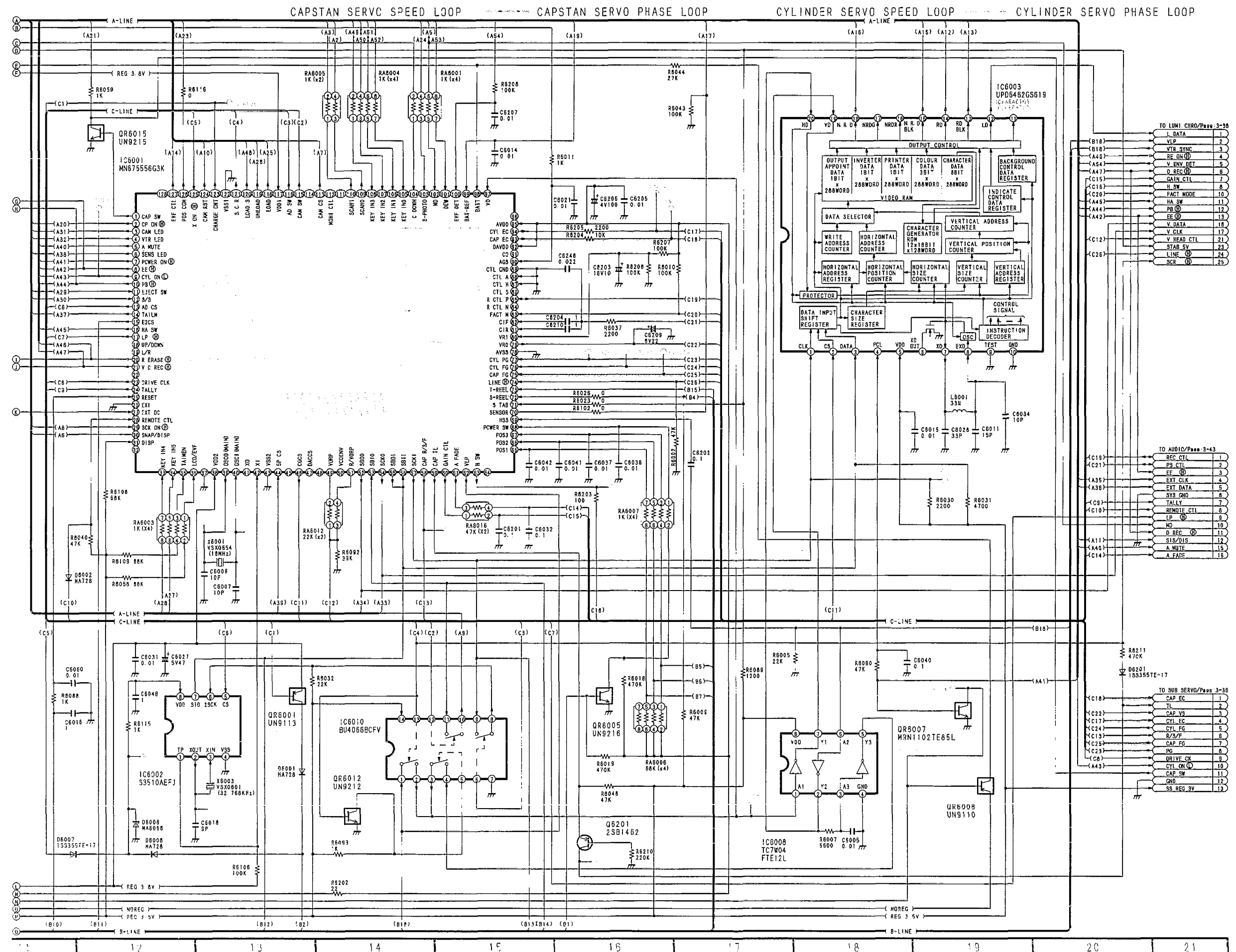
3-12. POWER SCHEMATIC DIAGRAM



3-13. SYSTEM CONTROL & SERVO SCHEMATIC DIAGRAM



Back Page:
POWER Section



TO LUMI CHRO/Pass 3-30

(B18)	L DATA	1
(B18)	VLP SYNC	2
(A46)	RE ON	3
(A47)	V ENV RET	4
(A47)	D REC	5
(C15)	H SW	6
(C18)	FACT MODE	7
(A45)	HA SW	8
(A44)	PB	9
(A42)	EE	10
	V DATA	11
	V CLK	12
	V HEAD CTL	13
	STAB SW	14
	LINE	15
	SCR	16

TO AUDIO/Pass 3-43

(C19)	REC CTL	1
(C21)	PS CTL	2
	EF	3
(A35)	EXT CLK	4
(A36)	EXT DATA	5
	SYS GND	6
(C9)	TALLY	7
(C10)	REMOTE CTL	8
	LP	9
	MO	10
(A11)	D REC	11
(A40)	SIS/DIS	12
	A MUTE	13
(C14)	A FADE	14

TO SUB SERVO/Pass 3-36

(C18)	CAP EC	1
	TL	2
(C22)	CAP VS	3
(C17)	CYL EC	4
(C24)	CYL FG	5
(C19)	R/S/F	6
(C25)	CAP FG	7
(C23)	PG	8
(C8)	DRIVE CK	9
(A43)	CYL ON	10
	CAP SW	11
	GND	12
	SS REG 3V	13

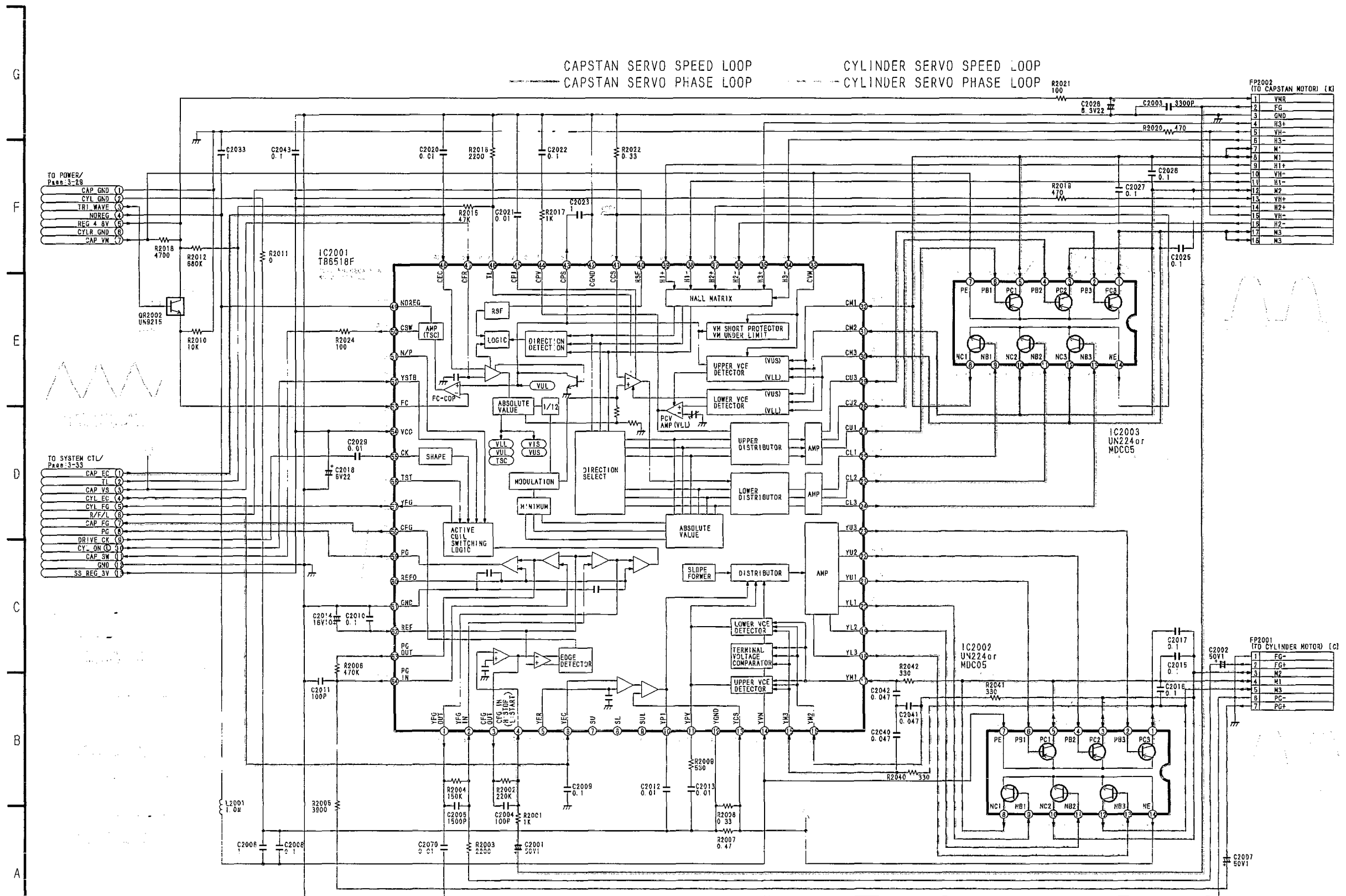
SYSTEM CONTROL & SERVO ICs DC VOLTAGE CHART (SP MODE)

REF. NO.	IC6001																							
MODE	1	2	3	4	5	6	7	8	9	10	11	12	13	14	15	16	17	18	19	20				
STOP	0	3.7	0	3.8	0	3.8	3.7	3.8	0	0	0	3.5	2.7	0	0	1.9	0	0	0	0				
PLAY	0	0	3.8	0	0	3.8	3.7	0	0	3.8	0	3.5	2.7	0	0	1.9	0	3.8	0	0				
F.F	0	3.7	3.8	0	3.8	3.8	3.7	3.8	0	0	0	3.5	2.7	0	0	1.9	0	3.8	0	0				
REF. NO.	IC6001																							
MODE	21	22	23	24	25	26	27	28	29	30	31	32	33	34	35	36	37	38	39	40				
STOP	0	0	1.9	3.8	3.8	0	3.8	3.5	3.1	3.5	3.5	0	3.5	3.5	3.5	3.5	0	3.8	—	—				
PLAY	0	0	1.9	3.8	3.8	0	3.8	3.5	0.1	3.5	3.5	0	3.5	3.5	3.5	3.5	0	3.8	—	—				
F.F	0	0	1.9	3.8	3.8	0	3.8	3.5	3.1	3.5	3.5	0	3.5	3.5	3.5	3.5	0	3.8	—	—				
REF. NO.	IC6001																							
MODE	41	42	43	44	45	46	47	48	49	50	51	52	53	54	55	56	57	58	59	60				
STOP	1.9	1.0	0	2.6	3.8	3.5	0	0	0.2	0	0	3.2	3.3	3.1	2.5	2.5	3.5	0	0	1.1				
PLAY	1.9	1.0	0	2.6	3.8	3.5	0	0	0.2	0	0	3.2	3.3	3.1	2.5	2.5	3.5	0	0	0.1				
F.F	1.9	1.0	0	2.6	3.8	3.5	0	0	0	0	0	3.2	3.3	3.1	2.5	2.5	3.5	0	3.2	1.3				
REF. NO.	IC6001																							
MODE	61	62	63	64	65	66	67	68	69	70	71	72	73	74	75	76	77	78	79	80				
STOP	0	0	1.9	0	3.8	3.8	0	3.6	0.6	0	0	2.8	3.5	1.1	0	1.8	0.1	0	1.9	1.9				
PLAY	0	0	1.9	0	3.8	3.8	0	3.6	0.6	0	0	2.8	3.5	1.1	0	1.8	0.1	0	0	0				
F.F	0	0	1.9	0	3.8	3.8	0	3.6	0.6	0	0	1.6	1.7	1.1	0	1.8	0.1	0	1.9	1.9				
REF. NO.	IC6001																							
MODE	81	82	83	84	85	86	87	88	89	90	91	92	93	94	95	96	97	98	99	100				
STOP	1.7	2.1	3.8	0	1.1	1.1	0	0	0	0	0	3.8	0	1.7	3.8	0	0	3.3	2.4	1.8				
PLAY	1.7	2.1	3.8	0	0.8	0.8	0	0	0	0	0	3.8	0	1.7	3.8	0	0	3.3	2.4	1.8				
F.F	1.7	2.1	3.8	0	1.1	1.1	0	0	0	0	0	3.8	0	0	3.8	0	0	3.3	2.4	1.8				
REF. NO.	IC6001																							
MODE	101	102	103	104	105	106	107	108	109	110	111	112	113	114	115	116	117	118	119	120				
STOP	0	3.5	0	0	3.5	3.5	3.5	3.5	3.8	3.8	0	3.8	2.5	2.2	1.3	0	3.8	0	0	0				
PLAY	0	3.5	0	0	3.5	3.5	3.5	3.5	3.8	3.8	0	3.8	2.5	2.2	0	0	3.8	0	0	0				
F.F	0	3.5	0	0	3.5	3.5	3.5	3.5	3.8	3.8	0	3.8	2.5	2.2	1.3	0	3.8	0	0	0				
REF. NO.	IC6001																							
MODE	121	122	123	124	125	126	127	128																
STOP	0	0	0	0	0	0	3.8	0																
PLAY	0	0	0	3.8	0	0	3.8	0																
F.F	0	0	0	0	0	0	3.8	0																
REF. NO.	IC6002																							
MODE	1	2	3	4	5	6	7	8																
STOP	1.0	0.8	0.8	0	2.7	3.5	2.5	3.6																
PLAY	1.0	0.8	0.8	0	2.7	3.5	2.5	3.6																
F.F	1.0	0.8	0.8	0	2.7	3.5	2.5	3.6																
REF. NO.	IC6003																							
MODE	1	2	3	4	5	6	7	8	9	10	11	12	13	14	15	16	17	18	19	20				
STOP	3.5	3.5	2.5	3.7	3.5	0	1.5	1.5	0	0	0	0.1	0	0	0	0	0	0	3.5	3.3				
PLAY	3.5	3.5	2.5	3.7	3.5	0	1.5	1.5	0	0	0	0.1	0	0	0	0	0	0	3.5	3.3				
F.F	3.5	3.5	2.5	3.7	3.5	0	1.5	1.5	0	0	0	0.1	0	0	0	0	0	0	3.5	3.3				
REF. NO.	IC6004				IC6005				IC6005				IC6005				IC6005							
MODE	1	2	3					1	2	3	4	5	6	7	8									
STOP	0	7.0	3.8					0	7.0	4.9	0	0	3.0	0	0									
PLAY	0	7.0	3.8					0	7.0	4.9	0	0	3.0	0	0									
F.F	0	7.0	3.8					0	7.0	4.9	0	0	3.0	0	0									
REF. NO.	IC6006				IC6007				IC6007				IC6007				IC6007							
MODE	1	2	3	4	5	6	7	8	1	2	3	4	5											
STOP	0	0.7	0.5	0	3.3	2.3	3.3	4.9	0	0	2.6	3.5	3.5											
PLAY	1.7	0.7	0.7	0	3.3	2.3	3.3	4.9	0	0	2.6	3.5	3.5											
F.F	1.7	0.7	0.7	0	3.3	2.3	3.3	4.9	0	0	2.6	3.5	3.5											
REF. NO.	IC6008				IC6009				IC6009				IC6009				IC6009							
MODE	1	2	3	4	5	6	7	8	1	2	3	4	5											
STOP	0	3.3	3.3	0	0	0.3	3.5	3.5	0	0	0	3.8	3.8											
PLAY	0	3.3	3.3	0	0	0.3	3.5	3.5	0	0	0	3.8	3.8											
F.F	0	3.3	3.3	0	0	0.3	3.5	3.5	0	0	0	3.8	3.8											
REF. NO.	IC6010														IC6010									
MODE	1	2	3	4	5	6	7	8	9	10	11	12	13	14										
STOP	0	0	0	0	3.5	0	0	3.5	3.5	3.2	3.3	1.3	0	3.5										
PLAY	0	0	0	0	3.5	0	0	3.5	3.5	0.1	3.3	0	0	3.5										
F.F	0	0	0	0	3.5	0.1	0	3.5	3.5	3.2	3.3	1.3	0	3.5										
REF. NO.	IC6011			IC6011			IC6011			IC6011			IC6011			IC6011			IC6011			IC6011		
MODE	1	2	3																					
STOP	0	7.0	3.5																					
PLAY	0	7.0	3.5																					
F.F	0	7.0	3.5																					

SYSTEM CONTROL & SERVO TRs DC VOLTAGE CHART (SP MODE)

REF. NO.	Q6001			Q6002			Q6003			Q6004			Q6005											
MODE	E	C	B	E	C	B	E	C	B	E	C	B	1	2	3	4	5	6						
STOP	2.5	2.9	0.2	0	7.0	0	7.0	6.8	6.3	0	0	0.5	0	2.8	0.2	0	0	4.6						
PLAY	3.8	0.2	0.2	0	7.0	0	7.0	7.0	6.3	0	0	0.5	0	2.8	0.2	4.7	0	4.6						
F.F	2.5	2.9	0.2	0	7.0	0	7.0	6.8	6.3	0	0	0.5	0	2.8	0.2	4.7	0	4.6						
REF. NO.	Q6201			Q6201			Q6201			Q6201			Q6201											
MODE	E	C	B																					
STOP	0	0.3	0																					
PLAY	3.8	3.7	3.2																					
F.F	3.8	3.7	3.2																					
REF. NO.	QR6001			QR6003			QR6005			QR6006			QR6007			QR6008								
MODE	E	C	B	E	C	B	E	C	B	E	C	B	E	C	B	E	C	B	E	C	B	E	C	B
STOP	3.8	3.8	0	3.5	0	3.8	0	3.6	0	0	3.2	0	0	0	3.7	6.8	6.8	0						
PLAY	3.8	3.8	0	3.5	0	3.8	0	3.6	0	0	3.2	0	0	0	3.7	7.0	7.0	0						
F.F	3.8	3.8	0	3.5	0	3.8	0	3.6	0	0	3.2	0	0	0	3.7	6.8	6.8	0						
REF. NO.	QR6010			QR6012			QR6014			QR6015			QR6015											
MODE	1	2	3	4	5			E	C	B	E	C	B	E	C	B								
STOP	3.2	0	3.1	0.3	0.1			0	3.5	0	0	3.8	0	0	6.1	0								
PLAY	3.2	0	3.1	0.2	0.1			0	3.5	0	0	3.8	0	0	6.9	0								
F.F	3.2	0	3.1	0.2	0.1			0	3.5	0	0	3.8	0	0	6.3	0								
REF. NO.	QR6050					QR6050					QR6050					QR6050								
MODE	1	2	3	4	5																			
STOP	0	0	0	0	0																			
PLAY	0	0	0	0	0																			
F.F	0	0	0	0	0																			

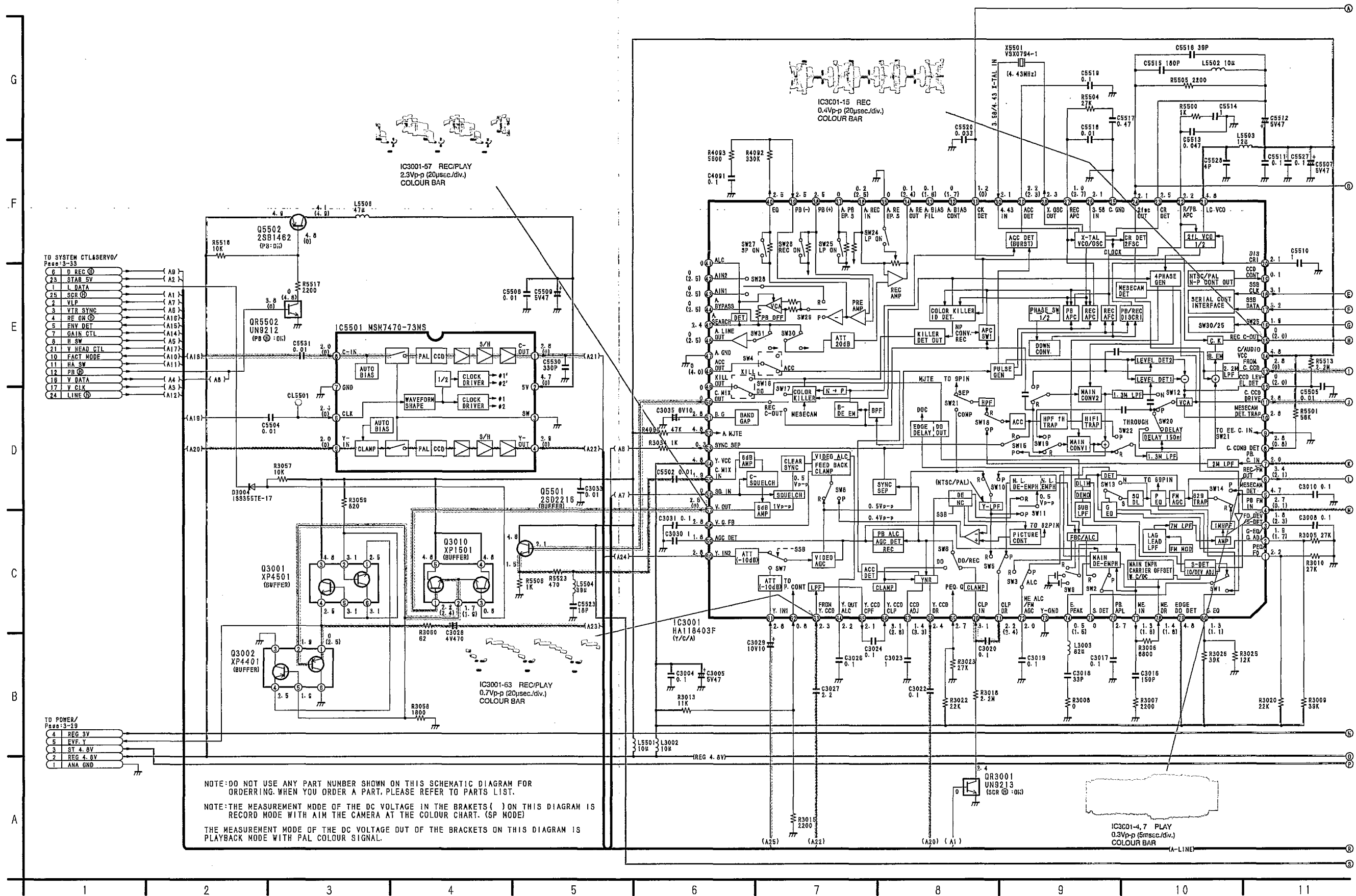
3-14. SUB SERVO SCHEMATIC DIAGRAM



NOTE: DO NOT USE ANY PART NUMBER SHOWN ON THIS SCHEMATIC DIAGRAM FOR ORDERING. WHEN YOU ORDER A PART, PLEASE REFER TO PARTS LIST.

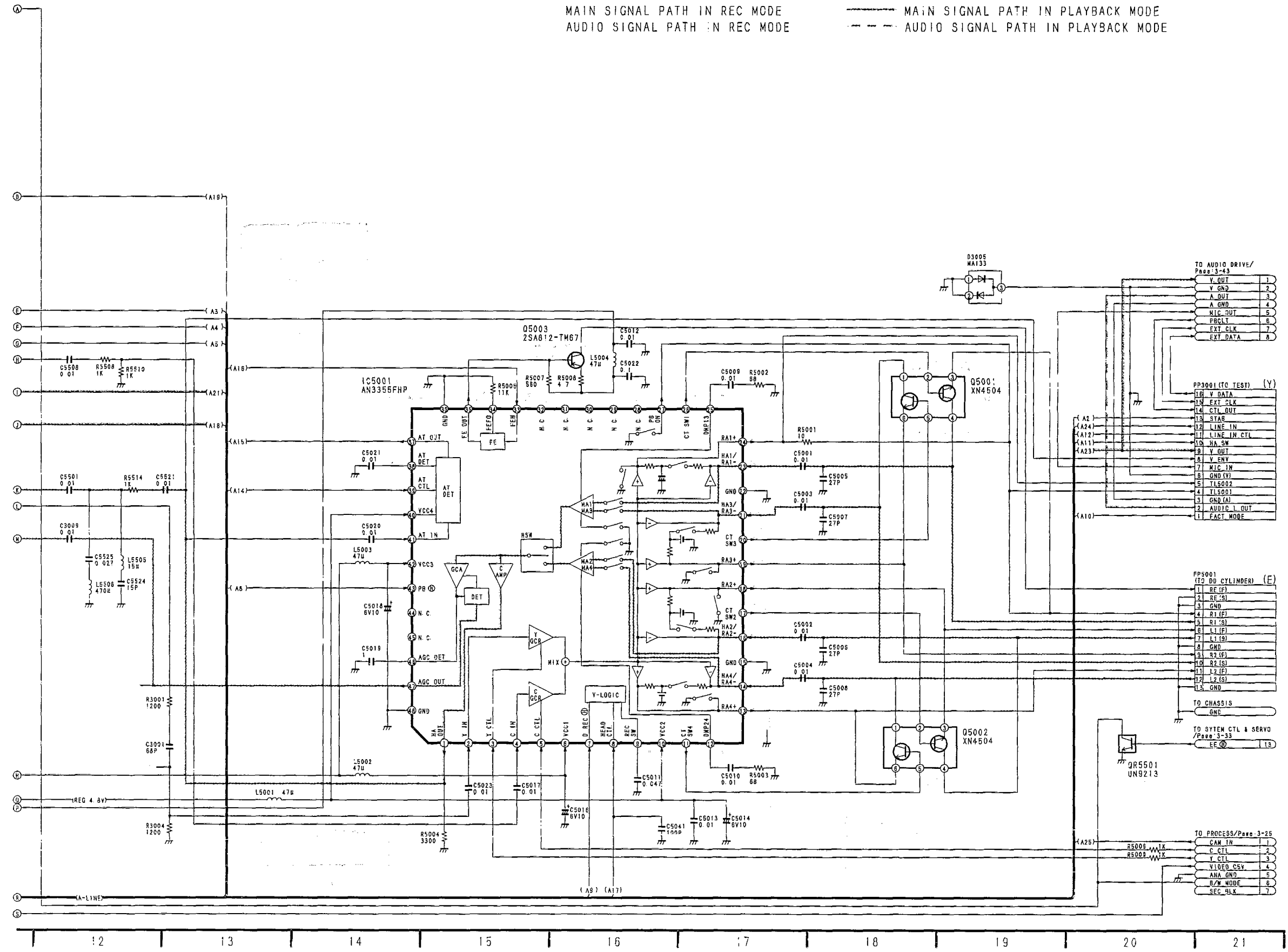
NOTE: THE MEASUREMENT MODE OF THE DC VOLTAGE IN THE BRACKET'S ON THIS DIAGRAM IS RECORD MODE. NOTE: THE MEASUREMENT MODE OF THE DC VOLTAGE OUT OF THE BRACKETS ON THIS DIAGRAM IS PLAYBACK MODE.

3-15. LUMINANCE/CHROMINANCE SCHEMATIC DIAGRAM



MAIN SIGNAL PATH IN REC MODE
AUDIO SIGNAL PATH IN REC MODE

MAIN SIGNAL PATH IN PLAYBACK MODE
AUDIO SIGNAL PATH IN PLAYBACK MODE



TO AUDIO DRIVE/
Page 3-43

1	Y. OUT
2	Y. GND
3	A. OUT
4	A. GND
5	MIC. OUT
6	PB. CT.
7	EXT. CLK
8	EXT. DATA

PP3001 (TO TEST) (Y)

16	Y. DATA
15	EXT. CLK
14	CTL. OUT
13	STAB
12	LINE IN
11	LINE IN CTL
10	HA. SW
9	Y. OUT
8	Y. ENV
7	MIC. IN
6	GND (VI)
5	TL5002
4	TL5001
3	GND (AI)
2	AUDIO L. OUT
1	FACT. MODE

FP5001 (TO DD CYLINDER) (E)

1	RE (F)
2	RE (S)
3	GND
4	R1 (F)
5	R1 (S)
6	L1 (F)
7	L1 (S)
8	GND
9	R2 (F)
10	R2 (S)
11	L2 (F)
12	L2 (S)
13	GND

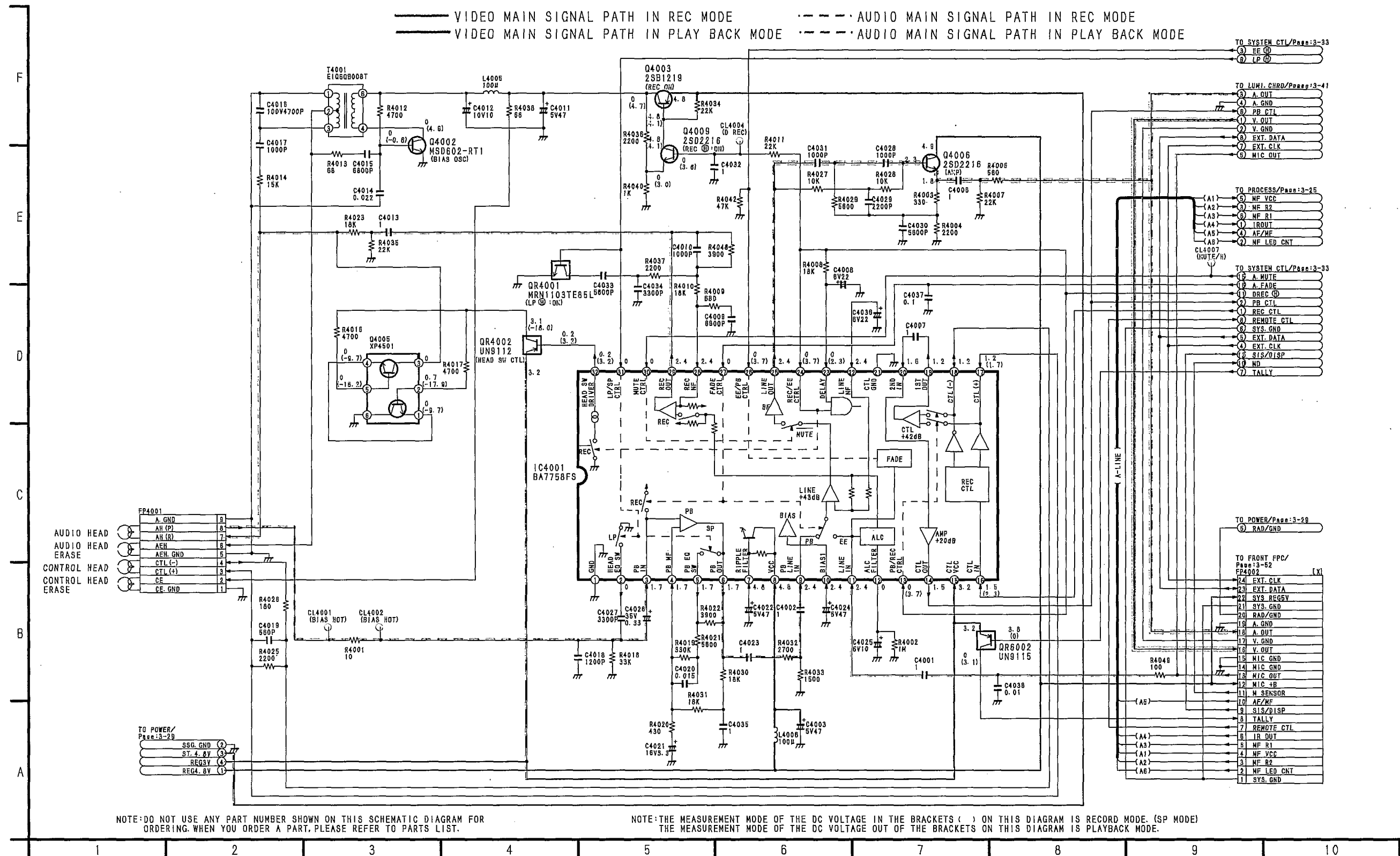
TO SYSTEM CTL & SERVO
Page 3-33

13	EE. QD
----	--------

TO PROCESS/Page 3-25

1	CAM IN
2	C. CTL
3	Y. CTL
4	VIDEO CSV
5	ANA. GND
6	B/W. MODE
7	SEC. CLK

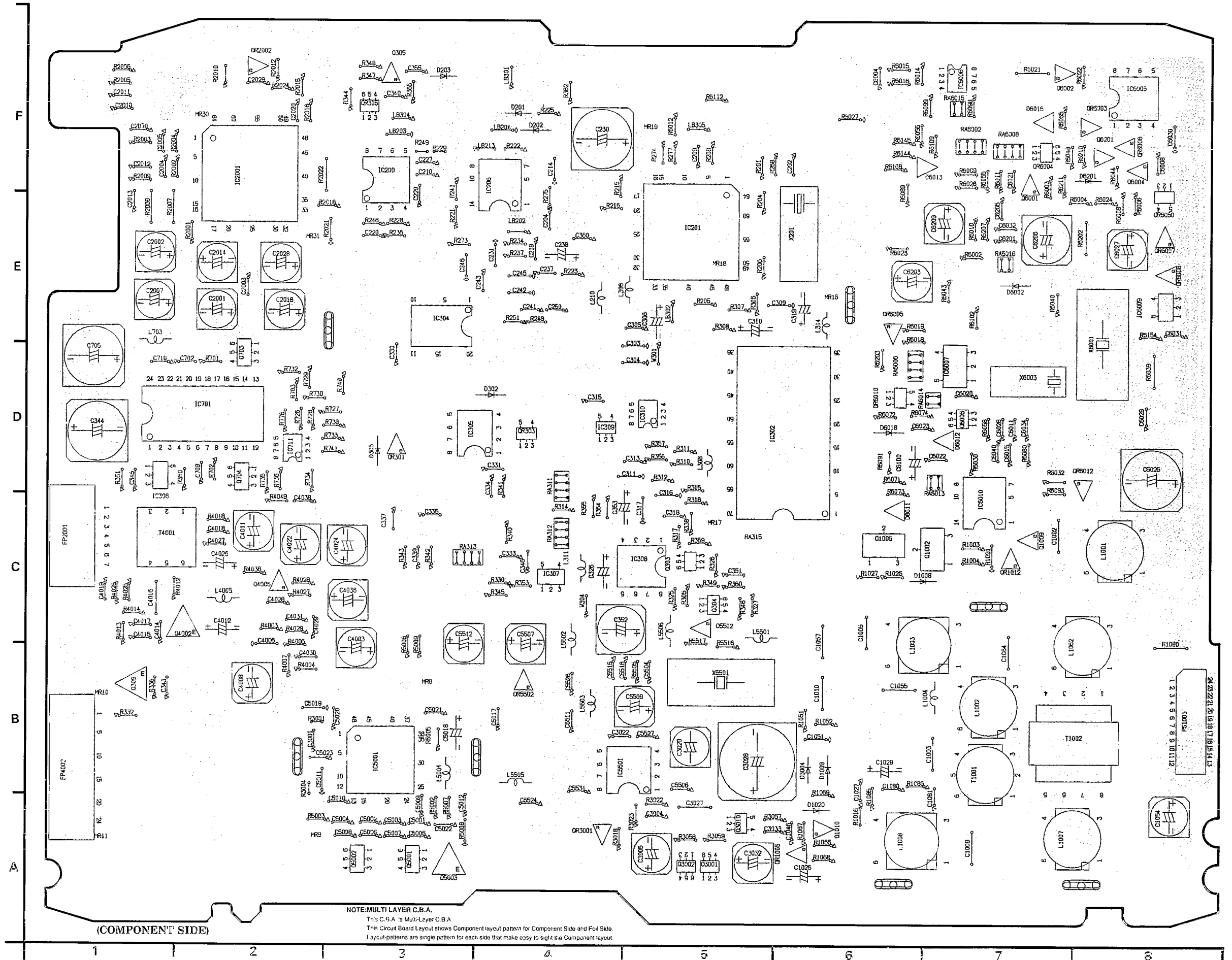
3-16. AUDIO SCHEMATIC DIAGRAM



3-17. MAIN [Lens Drive, Process, Sensor, Power, System Control & Servo, Sub Servo, Luminance/Chrominance, Audio Section] C.B.A. (VEP23434B)

MAIN C.B.A.

COMPONENT SIDE

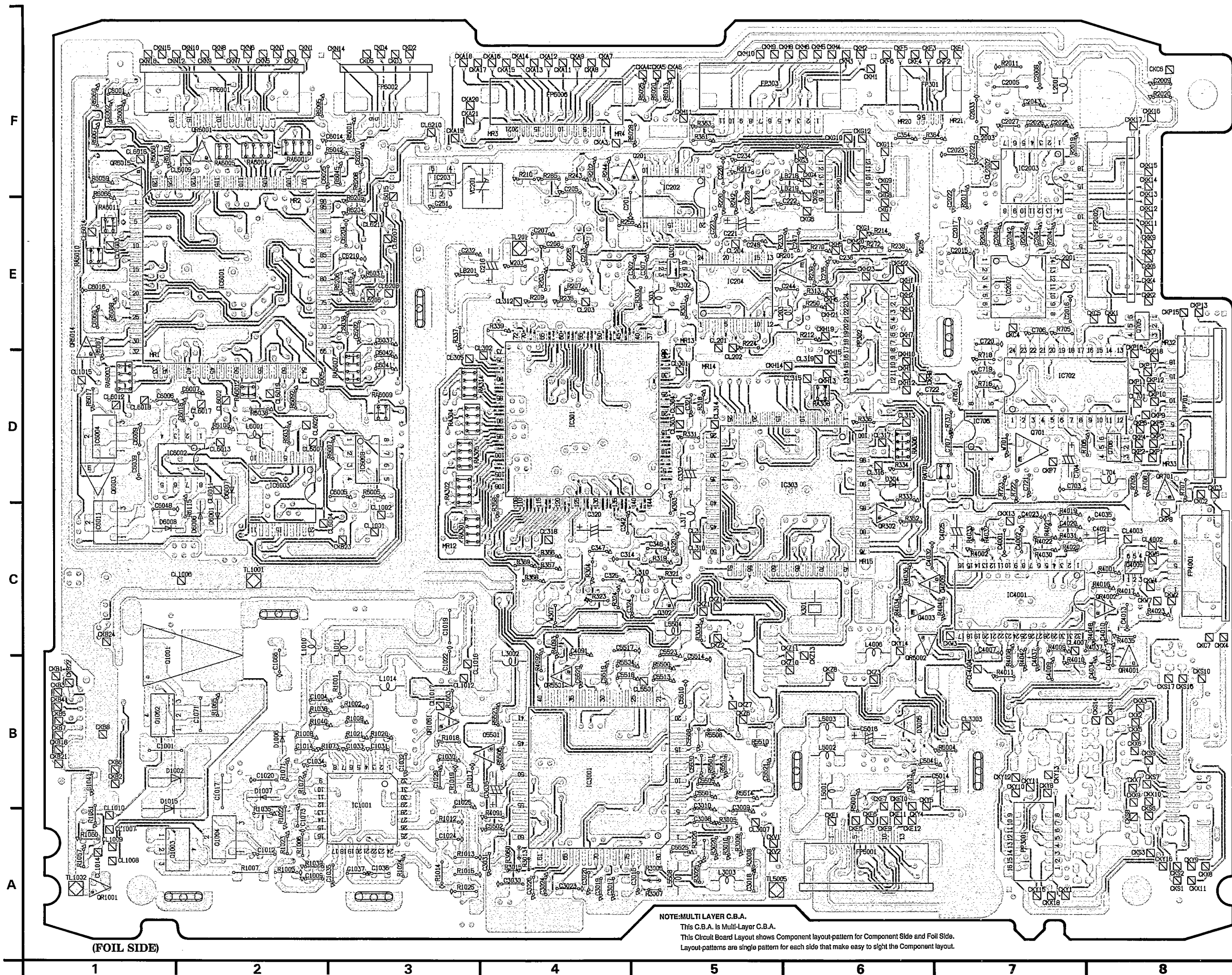


(COMPONENT SIDE)

NOTE: MULTI LAYER C.B.A.
 This C.B.A. is Multi-Layer C.B.A.
 The Circuit Board Layout shows Component layout pattern for Component Side and Foil Side.
 Layout patterns are single pattern for each side that make easy to sight the Component layout.

MAIN C.B.A.

FOIL SIDE



(FOIL SIDE)

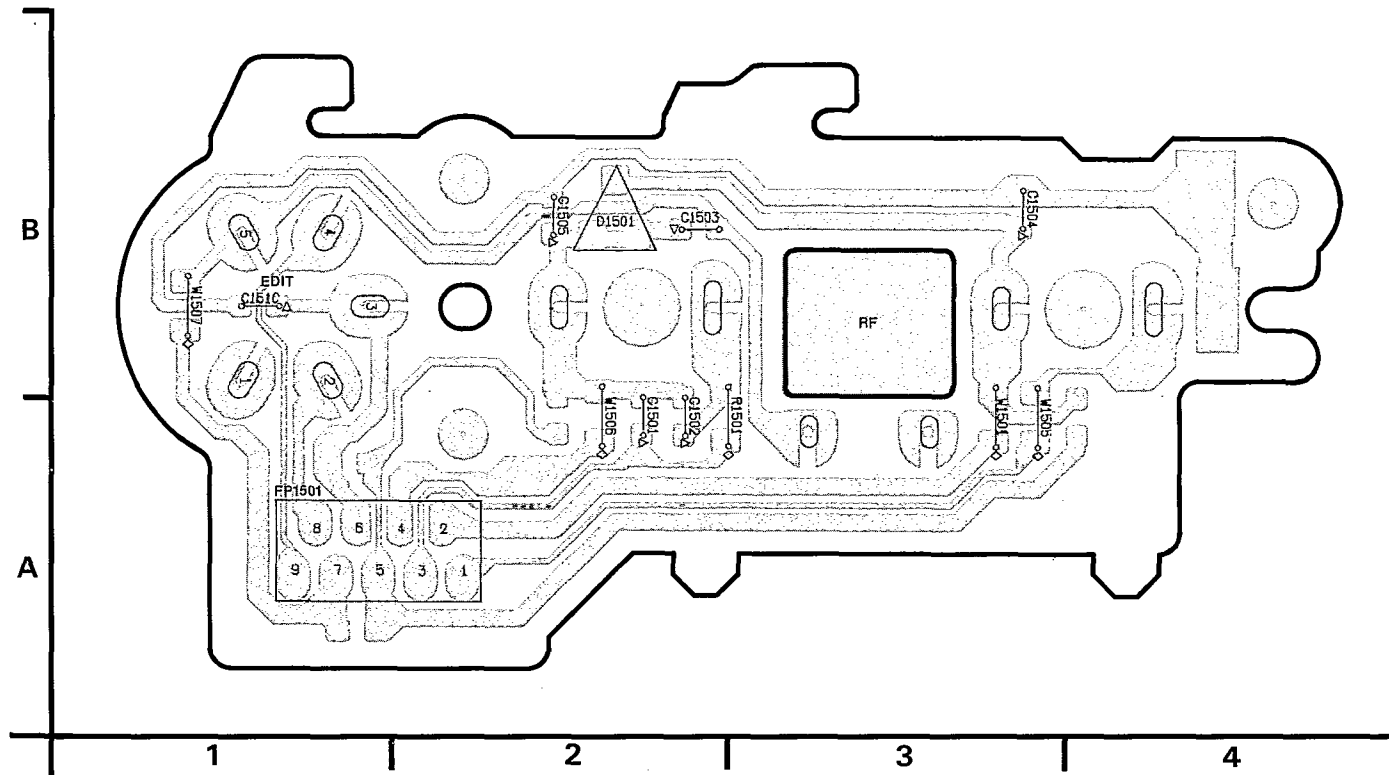
Back Page:
MAIN C.B.A. Section

MAIN C.B.A. ADDRESS INFORMATION

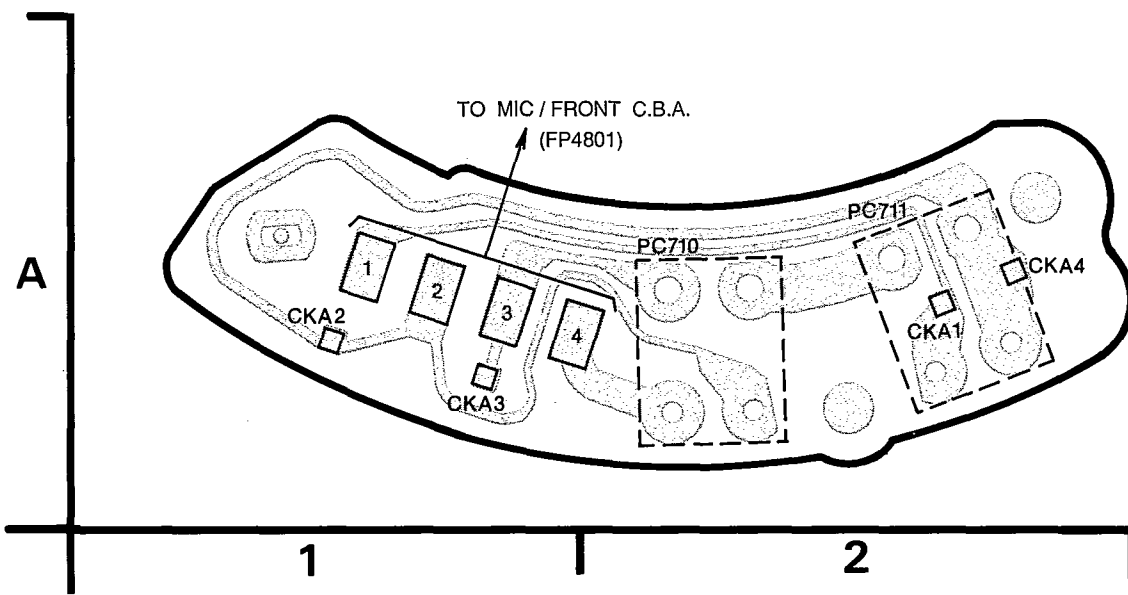
Integrated Circuit		Transistor & Resistor		Coil		Capacitor		MAIN C.B.A.																	
IC200	F-3 (C)	QR201	E-6 (D)	CL701	D-8 (E)	CKD2	F-3 (E)	CKP1	D-8 (E)	FP303	F-5 (E)	C227	F-3 (C)	C1022	B-3 (E)	C4007	B-7 (E)	C6003	F-1 (E)	R250	E-6 (E)				
IC201	E-5 (E)	QR301	D-3 (C)	CL1001	C-3 (E)	CKD3	F-3 (E)	CKP2	D-8 (E)	FP701	D-8 (E)	C228	E-5 (E)	C1024	A-3 (E)	C4008	B-2 (E)	C6004	F-6 (C)	R251	E-4 (E)				
IC202	E-5 (E)	QR302	C-6 (E)	CL1002	C-2 (E)	CKD4	F-3 (E)	CKP3	D-8 (E)	FP2001	C-1 (E)	C229	E-3 (E)	C1025	B-3 (E)	C4009	B-7 (E)	C6005	D-3 (E)	R255	E-4 (E)				
IC203	F-3 (E)	QR303	D-4 (E)	CL1006	A-1 (E)	CKD5	F-3 (E)	CKP4	D-8 (E)	FP2002	E-8 (E)	C230	F-4 (E)	C1026	A-6 (E)	C4010	C-3 (E)	C6006	D-1 (E)	R268	F-5 (E)				
IC204	E-5 (E)	QR701	D-8 (E)	CL1007	A-1 (E)	CKE1	A-6 (E)	CKP5	D-8 (E)	FP4001	C-8 (E)	C231	E-4 (E)	C1027	A-6 (E)	C4011	C-2 (E)	C6007	D-2 (E)	R270	E-6 (E)				
IC206	F-4 (E)	QR1001	A-1 (E)	CL1008	A-1 (E)	CKE5	A-6 (E)	CKP6	D-8 (E)	FP5001	A-6 (E)	C232	E-3 (E)	C1028	B-6 (E)	C4012	C-2 (E)	C6008	F-8 (E)	R272	E-6 (E)				
IC301	D-4 (E)	QR1005	A-6 (E)	CL1009	A-1 (E)	CKE6	A-6 (E)	CKP7	D-7 (E)	FP6002	F-3 (E)	C234	F-5 (E)	C1029	B-3 (E)	C4013	C-8 (E)	C6009	D-1 (E)	R273	E-3 (E)				
IC302	D-5 (E)	QR1012	C-7 (E)	CL1010	A-1 (E)	CKE7	A-6 (E)	CKP8	C-8 (E)	FP6006	F-4 (E)	C235	E-6 (E)	C1030	B-3 (E)	C4014	C-1 (E)	C6011	D-7 (E)	R274	F-5 (E)				
IC303	D-5 (E)	QR1061	B-3 (E)	CL1012	B-3 (E)	CKE9	A-6 (E)	CKP9	D-8 (E)	PP201	F-7 (E)	C236	E-6 (E)	C1031	B-3 (E)	C4015	C-1 (E)	C6014	F-2 (E)	R275	E-4 (E)				
IC304	E-3 (E)	QR2002	F-2 (E)	CL1014	A-1 (E)	CKE10	A-6 (E)	CKP10	D-8 (E)	PP3002	E-6 (E)	C237	E-4 (E)	C1032	B-3 (E)	C4016	C-1 (E)	C6015	D-7 (E)	R277	F-5 (E)				
IC305	D-3 (E)	QR3001	A-4 (E)	CL1015	D-1 (E)	CKE11	A-6 (E)	CKP11	D-8 (E)	PS1001	A-7 (E)	C244	E-5 (E)	C1033	B-3 (E)	C4017	C-1 (E)	C6016	E-1 (E)	R285	F-4 (E)				
IC306	D-1 (E)	QR4001	C-8 (E)	CL1016	B-3 (E)	CKE12	A-6 (E)	CKP12	D-8 (E)			C245	E-4 (E)	C1034	B-2 (E)	C4018	C-2 (E)	C6018	D-2 (E)	R301	E-5 (E)				
IC307	C-4 (E)	QR4002	C-8 (E)	CL1017	B-3 (E)	CKF1	F-7 (E)	CKP13	E-8 (E)			C246	E-3 (E)	C1035	A-3 (E)	C4019	C-1 (E)	C6020	D-7 (E)	R302	E-5 (E)				
IC308	C-5 (E)	QR5501	B-4 (E)	CL2001	E-7 (E)	CKF2	F-7 (E)	CKP15	E-8 (E)			C247	E-7 (E)	C1036	A-3 (E)	C4020	C-7 (E)	C6021	F-7 (E)	R303	E-5 (E)				
IC309	D-4 (E)	QR5502	B-4 (E)	CL2002	F-7 (E)	CKF3	F-6 (E)	CKP16	D-8 (E)			C248	E-5 (E)	C1037	A-3 (E)	C4021	C-8 (E)	C6022	D-7 (E)	R304	C-4 (E)				
IC310	D-5 (E)	QR6001	F-2 (E)	CL2003	F-7 (E)	CKF4	F-6 (E)	CKP17	D-8 (E)			C249	E-4 (E)	C1041	B-1 (E)	C4022	C-2 (E)	C6023	D-6 (E)	R305	C-5 (E)				
IC701	D-2 (E)	QR6002	C-6 (E)	CL3003	B-7 (E)	CKF5	F-6 (E)	CKP18	D-8 (E)			C250	E-4 (E)	C1046	A-6 (E)	C4023	C-7 (E)	C6025	F-2 (E)	R306	E-5 (E)				
IC702	D-7 (E)	QR6003	F-8 (E)	CL3007	A-5 (E)	CKF6	F-6 (E)	CKS1	A-8 (E)			C251	E-3 (E)	C1051	B-6 (E)	C4024	C-3 (E)	C6026	D-8 (E)	R307	E-5 (E)				
IC706	D-7 (E)	QR6004	F-7 (E)	CL4002	C-8 (E)	CKG1	E-6 (E)	CKS2	A-8 (E)			C255	E-4 (E)	C1054	A-8 (E)	C4025	C-7 (E)	C6027	E-8 (E)	R308	E-5 (E)				
IC711	D-2 (E)	QR6005	E-6 (E)	CL4003	C-8 (E)	CKG2	F-6 (E)	CKS3	A-8 (E)			C256	E-4 (E)	C1055	C-6 (E)	C4026	C-2 (E)	C6028	D-7 (E)	R310	D-5 (E)				
IC1001	B-3 (E)	QR6006	E-8 (E)	CL4004	B-7 (E)	CKG3	F-6 (E)	CKS5	A-8 (E)			C302	E-4 (E)	C1057	B-6 (E)	C4027	C-2 (E)	C6029	D-8 (E)	R311	D-5 (E)				
IC2001	F-2 (E)	QR6007	E-8 (E)	CL4007	C-7 (E)	CKG4	F-6 (E)	CKS6	B-8 (E)			C303	D-5 (E)	C1064	B-7 (E)	C4028	C-2 (E)	C6030	F-8 (E)	R312	D-5 (E)				
IC2002	E-7 (E)	QR6008	F-8 (E)	CL5501	B-5 (E)	CKG5	E-6 (E)	CKS7	A-8 (E)			C304	D-5 (E)	C1066	B-2 (E)	C4029	C-2 (E)	C6031	E-8 (E)	R313	E-6 (E)				
IC2003	F-7 (E)	QR6009	F-8 (E)	CL6002	D-2 (E)	CKG6	E-6 (E)	CKS8	B-8 (E)			C305	D-5 (E)	C1071	B-2 (E)	C4030	B-2 (E)	C6032	E-7 (E)	R314	C-4 (E)				
IC3001	B-4 (E)	QR6010	C-6 (E)	CL6003	E-1 (E)	CKG7	E-6 (E)	CKS9	B-8 (E)			C306	E-5 (E)	C1073	A-2 (E)	C4031	C-2 (E)	C6034	D-4 (E)	R315	D-5 (E)				
IC4001	C-17 (E)	QR6012	D-8 (E)	CL6004	C-2 (E)	CKG8	E-6 (E)	CKS11	B-8 (E)			C307	E-5 (E)	C1080	A-6 (E)	C4032	C-6 (E)	C6037	E-3 (E)	R316	C-5 (E)				
IC5001	B-3 (E)	QR6014	E-1 (E)	CL6005	D-2 (E)	CKG9	F-6 (E)	CKS12	B-8 (E)			C308	E-5 (E)	C1081	A-7 (E)	C4033	C-8 (E)	C6038	E-3 (E)	R317	C-5 (E)				
IC5501	B-5 (E)	QR6015	F-1 (E)	CL6007	D-2 (E)	CKG10	F-6 (E)	CKT1	B-8 (E)			C309	E-5 (E)	C2001	E-2 (E)	C4034	B-8 (E)	C6039	D-1 (E)	R318	D-5 (E)				
IC6001	E-2 (E)	QR6050	F-8 (E)	CL6009	F-2 (E)	CKG*1	F-6 (E)	CKT2	B-8 (E)			C310	E-5 (E)	C2002	E-1 (E)	C4035	C-8 (E)	C6040	D-7 (E)	R319	C-5 (E)				
IC6002	D-2 (E)			CL6011	D-2 (E)	CKG12	F-6 (E)	CKV1	A-5 (E)			C311	D-5 (E)	C2003	E-2 (E)	C4036	C-3 (E)	C6041	D-3 (E)	R320	C-5 (E)				
IC6003	D-2 (E)			CL6012	D-1 (E)	CKH1	E-6 (E)	CKV2	A-5 (E)			C313	D-5 (E)	C2004	F-1 (E)	C4037	B-7 (E)	C6042	D-3 (E)	R321	C-5 (E)				
IC6004	D-1 (E)			CL6013	D-2 (E)	CKH2	E-6 (E)	CKW2	C-8 (E)			C314	C-4 (E)	C2005	F-1 (E)	C4038	C-2 (E)	C6046	E-3 (E)	R323	C-4 (E)				
IC6005	F-8 (E)			CL6014	E-1 (E)	CKH3	E-6 (E)	CKW3	C-7 (E)			C315	D-4 (E)	C2006	F-7 (E)	C4039	B-4 (E)	C6048	C-1 (E)	R324	C-4 (E)				
IC6006	F-7 (E)			CL6015	E-3 (E)	CKH5	E-6 (E)	CKW4	C-8 (E)			C316	C-5 (E)	C2007	E-1 (E)	C5001	A-3 (E)	C6060	E-1 (E)	R325	C-5 (E)				
IC6007	D-7 (E)			CL6016	F-1 (E)	CKH6	E-6 (E)	CKW6	C-8 (E)			C317	C-5 (E)	C2008	F-7 (E)	C5002	A-3 (E)	C6100	D-6 (E)	R326	C-5 (E)				
IC6008	D-3 (E)			CL6017	D-2 (E)	CKH7	E-6 (E)	CKW7	C-8 (E)			C318	C-5 (E)	C2009	F-7 (E)	C5003	A-3 (E)	C6201	E-7 (E)	R327	C-5 (E)				
IC6009	E-8 (E)			CL6018	D-1 (E)	CKH9	D-6 (E)	CKX2	B-8 (E)			C320	C-4 (E)	C2010	F-1 (E)	C5004	A-3 (E)	C6202	E-3 (E)	R330	C-4 (E)				
IC6010	C-7 (E)			CL6019	D-2 (E)	CKH10	D-6 (E)	CKX3	B-8 (E)			C321	D-5 (E)	C2011	F-1 (E)	C5005	A-3 (E)	C6203	E-6 (E)	R331	D-5 (E)				
IC6011	C-1 (E)			CL6020	D-2 (E)	CKH11	D-6 (E)	CKX4	C-8 (E)			C324	C-4 (E)	C2013	E-1 (E)	C5006	A-3 (E)	C6204	E-3 (E)	R332	B-1 (E)				
				CL6206	E-3 (E)	CKH12	D-6 (E)	CKX5	B-8 (E)			C325	C-4 (E)	C2014	E-2 (E)	C5007	A-3 (E)	C6205	E-7 (E)	R333	C-6 (E)				
				CL6207	E-3 (E)	CKH13	D-6 (E)	CKX6	B-8 (E)			C326	C-4 (E)	C2015	E-7 (E)	C5008	A-3 (E)	C6206	E-7 (E)	R334	D-6 (E)				
				CL6208	E-3 (E)	CKH14	D-6 (E)	CKX7	B-8 (E)			C330	D-3 (E)	C2016	E-7 (E)	C5009	A-3 (E)	C6207	F-3 (E)	R335	D-6 (E)				
				CL6210	F-3 (E)	CKH15	D-6 (E)	CKX8	A-8 (E)			C331	D-4 (E)	C2017	E-7 (E)	C5010	A-3 (E)	C6209	E-7 (E)	R336	B-1 (E)				
				CL6211	E-3 (E)	CKH*9	E-6 (E)	CKX9	B-8 (E)			C332	D-5 (E)	C2018	E-2 (E)	C5011	B-2 (E)	C6210	E-3 (E)	R337	E-3 (E)				
				TL201	E-4 (E)	CKH20	E-6 (E)	CKX10	B-8 (E)			C333	C-4 (E)	C2020	F-2 (E)	C5012	A-3 (E)			R338	C-5 (E)				
				TL1001	C-2 (E)	CKH21	E-6 (E)	CKX11	A-8 (E)			C334	D-4 (E)	C2021	F-7 (E)	C5013	B-6 (E)			R339	E-4 (E)				
				TL1002	A-1 (E)	CKH22	E-6 (E)	CKX12	C-7 (E)			C335	C-3 (E)	C2022	E-7 (E)	C5014	B-7 (E)			R340	C-4 (E)				
				TL5005	A-5 (E)	CKH23	E-6 (E)	CKX18	A-7 (E)			C337	C-3 (E)	C2023	F-7 (E)	C5016	B-6 (E)			R341	D-4 (E)				
				CKA3	F-4 (E)	CKK1	E-8 (E)	CKY1	A-7 (E)			C339	C-3 (E)	C2025	F-7 (E)	C5017	B-4 (E)			R342	C-3 (E)				
				CKA4	F-5 (E)	CKK2	E-8 (E)	CKY4	A-6 (E)			C342	C-5 (E)	C2026	F-7 (E)	C5018	B-3 (E)			R343	C-3 (E)				
				CKA5	F-5 (E)	CKK4	E-8 (E)	CKY5	A-6 (E)			C343	B-1 (E)	C2027	F-7 (E)	C5019	B-2 (E)			R345	C-4 (E)				
				CKA6	F-5 (E)	CKK6	E-8 (E)	CKY8	B-7 (E)			C344	D-1 (E)	C2028	E-2 (E)	C5020	B-3 (E)			R346	C-5 (E)				
				CKA7	F-4 (E)	CKK7	E-8 (E)	CKY9	A-8 (E)			C345	D-1 (E)	C2029	F-2 (E)	C5021	B-3 (E)			R349	C-5 (E)				
				CKA8	F-4 (E)	CKK9	E-8 (E)	CKY10	B-7 (E)			C346	C-4 (E)	C2033	F-7 (E)	C5022	A-3 (E)			R350	D-2 (E)				
				CKA9	F-4 (E)	CKK11	E-8 (E)	CKY11	B-7 (E)			C347	C-4 (E)	C2034	E-7 (E)	C5023	B-2 (E)			R351	D-1 (E)				
				CKA11	F-4 (E)	CKK12	E-8 (E)	CKY12	B-7 (E)			C348	C-5 (E)	C2041	E-7 (E)	C5041	B-6 (E)			R352	C-6 (E)				
				CKA12	F-4 (E)	CKK13	E-8 (E)	CKY13	B-7 (E)			C351	C-5 (E)	C2042	E-7 (E)	C5501	B-5 (E)			R353	C-4 (E)				
				CKA13	F-4 (E)	CKK14	F-8 (E)	CKY14	B-6 (E)			C352	C-4 (E)	C2043	F-7 (E)	C5502	A-4 (E)			R354	C-4 (E)				
				CKA14	F-4 (E)	CKK15	F-8 (E)	CKY15	A-7 (E)			C353	C-4 (E)	C2070	F-1 (E)	C5504	B-5 (E)			R355	C-4 (E)				
				CKA15	F-4 (E)	CKK16	F-8 (E)	CKY16	A-8 (E)			C354	C-3 (E)	C3001	B-2 (E)	C5505	B-5 (E)			R356	D-5 (E)				
				CKA16	F-4 (E)	CKK17	F-8 (E)	CKZ1	C-5 (E)			C702	D-2 (E)	C3004	A-5 (E)	C5506	B-5 (E)			R357	D-5 (E)				
				CKA17	F-3 (E)	CKM1	F-6 (E)	CKZ2	C-5 (E)			C703	D-7 (E)	C3005	A-5 (E)	C5507	B-4 (E)			R358	C-4 (E)				
				CKA18	F-3 (E)	CKM2	F-6 (E)	CKZ3	B-6 (E)			C704	D-7 (E)	C3008	A-5 (E)	C5508	B-5 (E)			R359	C-5 (E)				
				CKA19	F-3 (E)	CKM3	F-6 (E)	CKZ6	B-5 (E)			C705	D-1 (E)	C3009	A-5 (E)	C5509	B-5 (E)			R360	C-5 (E)				
				CKA20	F-3 (E)	CKM4	F-6 (E)	CKZ7	B-5 (E)			C706	E-7 (E)	C3010	B-5 (E)	C5510	B-5 (E)			R361	F-5 (E)				
				CKA21	F-3 (E)	CKM5	F-6 (E)	CKZ8	B-6 (E)			C707	D-7 (E)	C3016	A-5 (E)	C5511	B-4 (E)			R362	F-4 (E)				
				CKB1	B-1 (E)	CKM6	F-6 (E)	CKZ10	B-6 (E)			C709	D-2 (E)	C3017	A-4 (E)	C5512	B-3 (E)			R363	F-5 (E)				

3-18. AV JACK C.B.A. (VEP00Y39A)

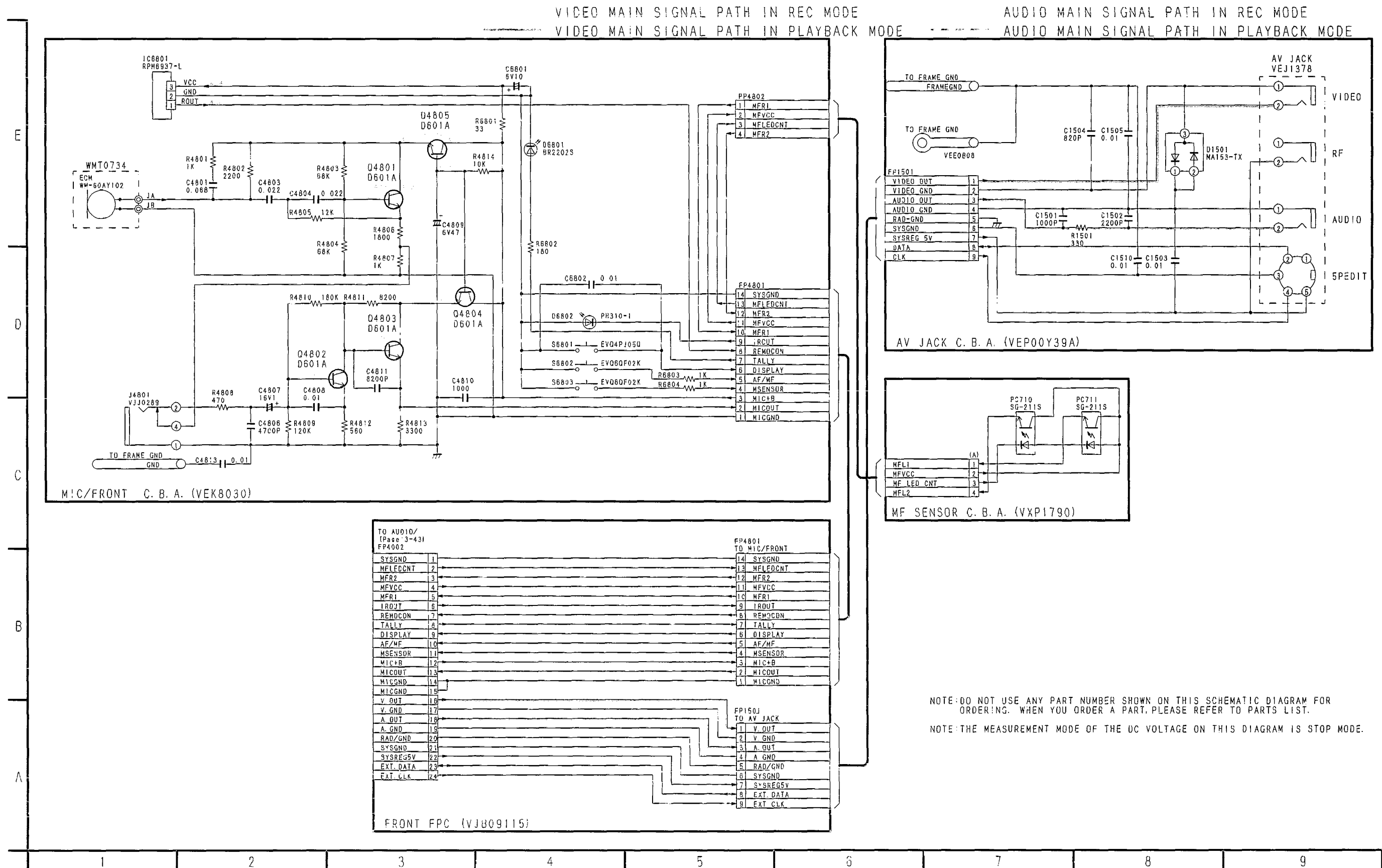
R733	D-3	⊙	R3006	A-5	⊙	R6006	E-8	⊙	Resistor Array		
R734	D-2	⊙	R3007	A-5	⊙	R6007	D-3	⊙	RA303	C-4	⊙
R735	D-2	⊙	R3008	A-5	⊙	R6008	E-8	⊙	RA306	D-6	⊙
R736	D-2	⊙	R3009	A-5	⊙	R6009	F-7	⊙	RA307	D-5	⊙
R737	D-7	⊙	R3010	A-5	⊙	R6010	E-7	⊙	RA308	D-6	⊙
R738	D-3	⊙	R3013	A-4	⊙	R6011	F-7	⊙	RA311	D-4	⊙
R740	D-3	⊙	R3015	A-4	⊙	R6012	F-5	⊙	RA312	C-4	⊙
R741	D-3	⊙	R3018	A-4	⊙	R6013	F-5	⊙	RA313	C-3	⊙
R761	D-7	⊙	R3020	A-5	⊙	R6014	F-6	⊙	RA315	C-5	⊙
R776	D-2	⊙	R3022	A-5	⊙	R6015	F-6	⊙	RA701	D-7	⊙
R1001	B-3	⊙	R3023	A-5	⊙	R6016	F-6	⊙	RA6001	F-2	⊙
R1002	B-3	⊙	R3025	A-5	⊙	R6017	D-1	⊙	RA6002	F-7	⊙
R1003	C-7	⊙	R3026	A-5	⊙	R6018	E-6	⊙	RA6003	D-1	⊙
R1004	C-7	⊙	R3034	C-5	⊙	R6019	E-6	⊙	RA6004	F-2	⊙
R1005	A-2	⊙	R3057	A-5	⊙	R6020	F-5	⊙	RA6005	F-2	⊙
R1006	A-2	⊙	R3058	A-5	⊙	R6021	F-7	⊙	RA6006	D-6	⊙
R1007	A-2	⊙	R3059	A-5	⊙	R6022	F-8	⊙	RA6007	D-3	⊙
R1008	B-2	⊙	R3060	A-4	⊙	R6023	E-6	⊙	RA6008	F-7	⊙
R1009	B-3	⊙	R4001	C-8	⊙	R6024	E-8	⊙	RA6009	D-3	⊙
R1012	A-3	⊙	R4002	C-7	⊙	R6025	F-5	⊙	RA6010	E-1	⊙
R1013	A-3	⊙	R4003	C-2	⊙	R6026	F-7	⊙	RA6011	E-1	⊙
R1014	A-3	⊙	R4004	B-2	⊙	R6027	F-6	⊙	RA6012	D-2	⊙
R1015	A-3	⊙	R4006	B-2	⊙	R6028	F-5	⊙	RA6013	D-7	⊙
R1016	A-6	⊙	R4007	B-2	⊙	R6030	D-7	⊙	RA6014	D-7	⊙
R1017	B-3	⊙	R4008	B-7	⊙	R6031	D-2	⊙	RA6015	F-7	⊙
R1018	B-3	⊙	R4009	B-7	⊙	R6032	D-7	⊙	RA6016	E-7	⊙
R1019	B-3	⊙	R4010	B-7	⊙	R6037	E-3	⊙			
R1020	B-3	⊙	R4011	B-7	⊙	R6038	D-2	⊙	Wire		
R1021	B-3	⊙	R4012	C-1	⊙	R6039	D-8	⊙	W203	E-4	⊙
R1022	A-2	⊙	R4013	C-1	⊙	R6040	E-7	⊙	W202	E-4	⊙
R1023	A-2	⊙	R4014	C-1	⊙	R6042	F-3	⊙	W205	E-6	⊙
R1024	A-3	⊙	R4016	C-8	⊙	R6043	E-7	⊙	W212	F-5	⊙
R1025	A-3	⊙	R4017	C-8	⊙	R6044	F-8	⊙	W301	D-5	⊙
R1026	C-6	⊙	R4018	C-2	⊙	R6045	F-3	⊙	W302	E-4	⊙
R1027	C-6	⊙	R4019	C-7	⊙	R6048	F-7	⊙	W303	C-5	⊙
R1035	A-2	⊙	R4020	C-7	⊙	R6055	F-7	⊙	W304	C-4	⊙
R1038	B-2	⊙	R4021	C-7	⊙	R6056	F-6	⊙	W307	C-4	⊙
R1039	A-2	⊙	R4022	C-7	⊙	R6058	D-7	⊙	W701	D-7	⊙
R1040	B-2	⊙	R4023	C-8	⊙	R6059	F-1	⊙			
R1051	B-6	⊙	R4025	C-1	⊙	R6065	F-7	⊙			
R1052	B-6	⊙	R4026	C-1	⊙	R6066	E-1	⊙			
R1057	A-1	⊙	R4027	C-2	⊙	R6067	F-1	⊙			
R1060	A-1	⊙	R4028	C-2	⊙	R6068	F-1	⊙			
R1061	A-1	⊙	R4029	C-2	⊙	R6069	F-1	⊙			
R1063	B-3	⊙	R4030	C-7	⊙	R6071	D-6	⊙			
R1065	B-2	⊙	R4031	C-7	⊙	R6072	D-6	⊙			
R1066	A-6	⊙	R4032	C-7	⊙	R6073	C-6	⊙			
R1067	A-6	⊙	R4033	C-7	⊙	R6074	D-6	⊙			
R1068	A-6	⊙	R4034	C-6	⊙	R6080	D-7	⊙			
R1069	A-6	⊙	R4035	C-8	⊙	R6087	D-1	⊙			
R1071	B-2	⊙	R4036	C-6	⊙	R6088	E-1	⊙			
R1072	B-2	⊙	R4037	B-8	⊙	R6089	F-6	⊙			
R1073	B-2	⊙	R4038	C-2	⊙	R6091	D-6	⊙			
R1080	B-8	⊙	R4040	C-7	⊙	R6092	D-2	⊙			
R1085	A-6	⊙	R4042	B-7	⊙	R6093	C-7	⊙			
R1086	B-6	⊙	R4048	C-8	⊙	R6095	F-2	⊙			
R1091	C-7	⊙	R4049	C-2	⊙	R6098	F-7	⊙			
R2001	E-2	⊙	R4091	A-4	⊙	R6099	F-7	⊙			
R2002	F-2	⊙	R4092	B-4	⊙	R6102	E-7	⊙			
R2003	F-1	⊙	R4093	C-4	⊙	R6106	D-2	⊙			
R2004	F-2	⊙	R5001	B-6	⊙	R6108	F-6	⊙			
R2005	F-1	⊙	R5002	A-3	⊙	R6109	F-7	⊙			
R2006	F-1	⊙	R5003	A-2	⊙	R6111	F-5	⊙			
R2007	E-1	⊙	R5004	B-7	⊙	R6113	F-5	⊙			
R2008	E-1	⊙	R5005	B-3	⊙	R6115	C-2	⊙			
R2009	F-1	⊙	R5006	B-3	⊙	R6116	F-1	⊙			
R2010	F-2	⊙	R5007	A-3	⊙	R6144	F-6	⊙			
R2011	F-7	⊙	R5008	A-3	⊙	R6145	F-6	⊙			
R2012	F-2	⊙	R5009	B-3	⊙	R6154	E-8	⊙			
R2015	F-2	⊙	R5500	B-5	⊙	R6202	E-8	⊙			
R2016	F-2	⊙	R5501	B-5	⊙	R6203	D-6	⊙			
R2017	E-7	⊙	R5504	B-4	⊙	R6204	E-3	⊙			
R2018	E-2	⊙	R5506	B-4	⊙	R6205	E-3	⊙			
R2019	F-7	⊙	R5508	B-5	⊙	R6206	E-3	⊙			
R2020	F-8	⊙	R5510	B-5	⊙	R6207	E-7	⊙			
R2021	E-3	⊙	R5513	B-5	⊙	R6208	F-3	⊙			
R2022	F-2	⊙	R5514	B-5	⊙	R6209	E-3	⊙			
R2024	F-2	⊙	R5516	C-5	⊙	R6210	F-8	⊙			
R2040	E-7	⊙	R5517	C-5	⊙	R6211	F-7	⊙			
R2041	E-7	⊙	R5523	B-4	⊙						
R2042	E-7	⊙	R6001	F-3	⊙						
R2048	F-1	⊙	R6002	E-7	⊙						
R3001	B-2	⊙	R6003	F-7	⊙						
R3004	B-2	⊙	R6004	E-7	⊙						
R8005	A-5	⊙	R6005	D-3	⊙						



3-19. MF SENSOR C.B.A. (VXP1828)



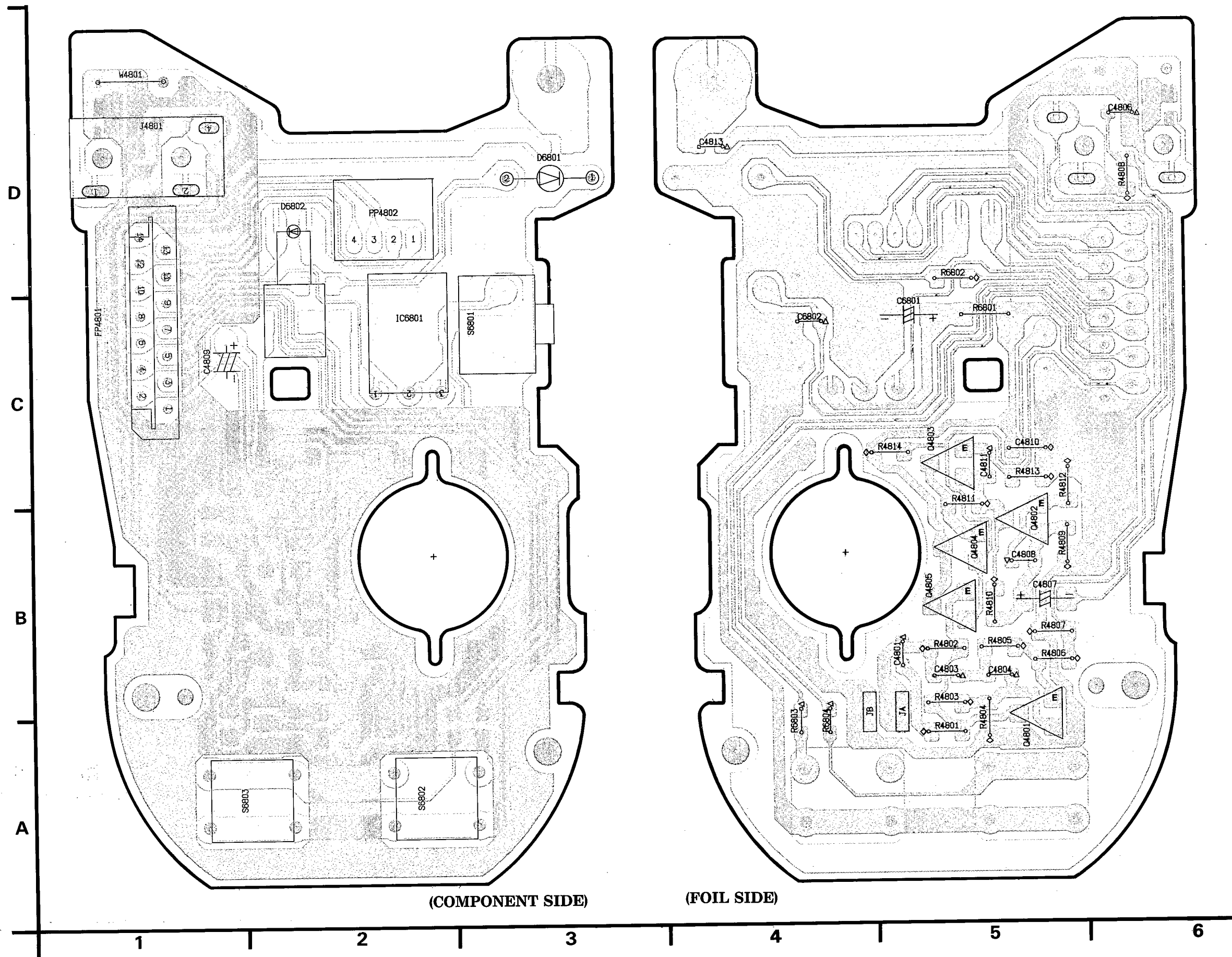
3-20. MIC / FRONT, FRONT FLEXIBLE CARD, AV JACK, MF SENSOR SCHEMATIC DIAGRAM



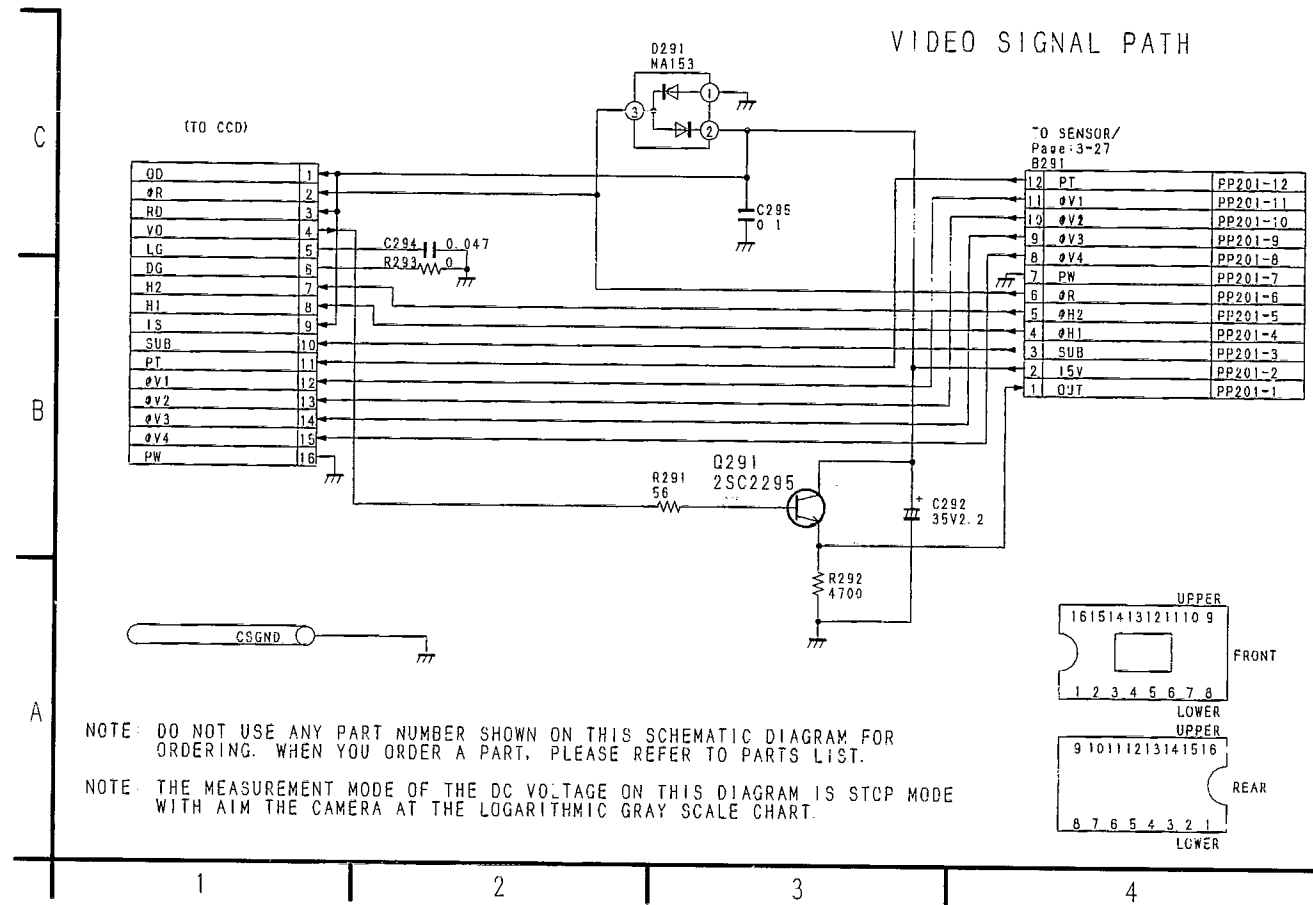
NOTE: DO NOT USE ANY PART NUMBER SHOWN ON THIS SCHEMATIC DIAGRAM FOR ORDERING. WHEN YOU ORDER A PART, PLEASE REFER TO PARTS LIST.

NOTE: THE MEASUREMENT MODE OF THE DC VOLTAGE ON THIS DIAGRAM IS STOP MODE.

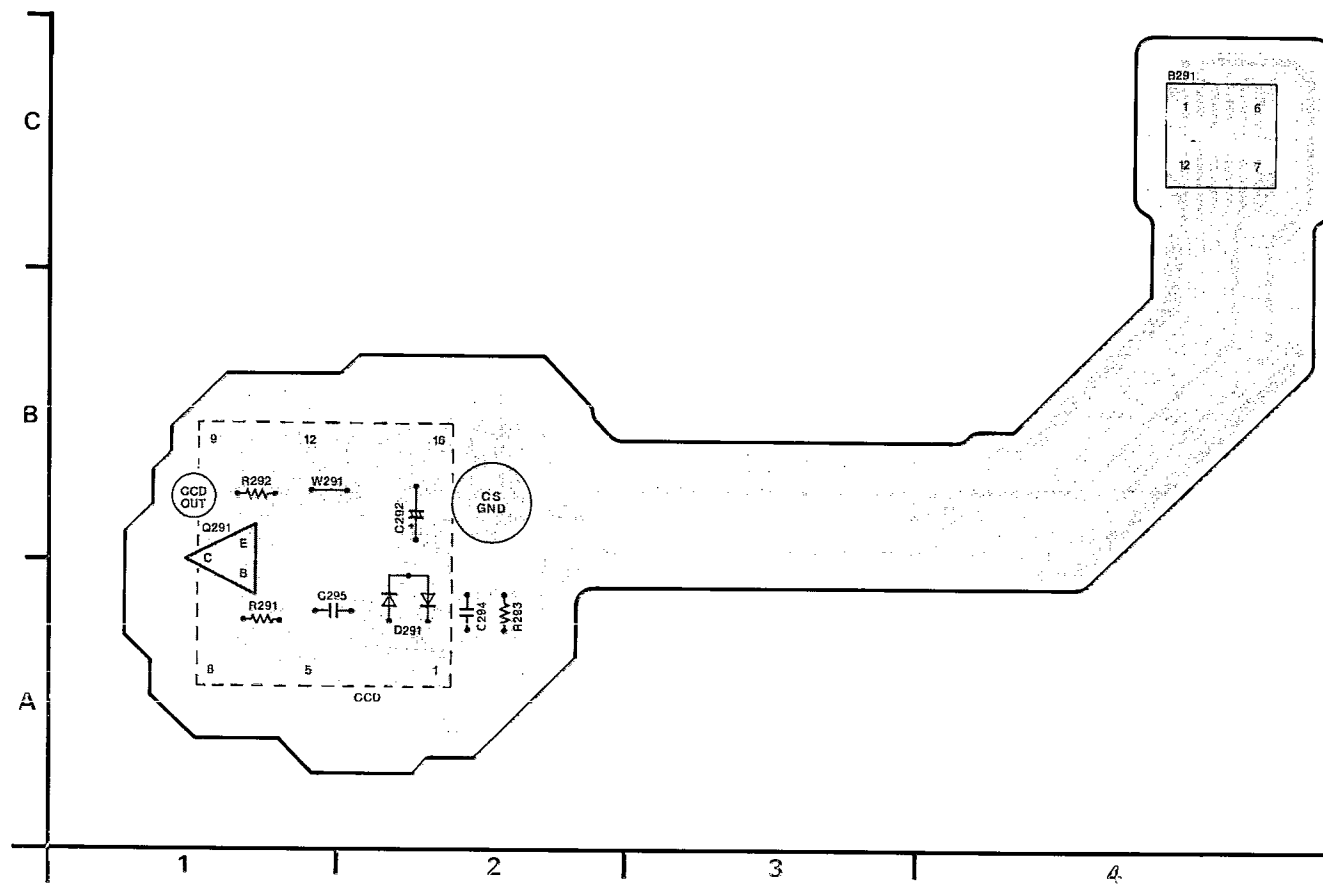
3-21. MIC / FRONT C.B.A. (VEK8030)



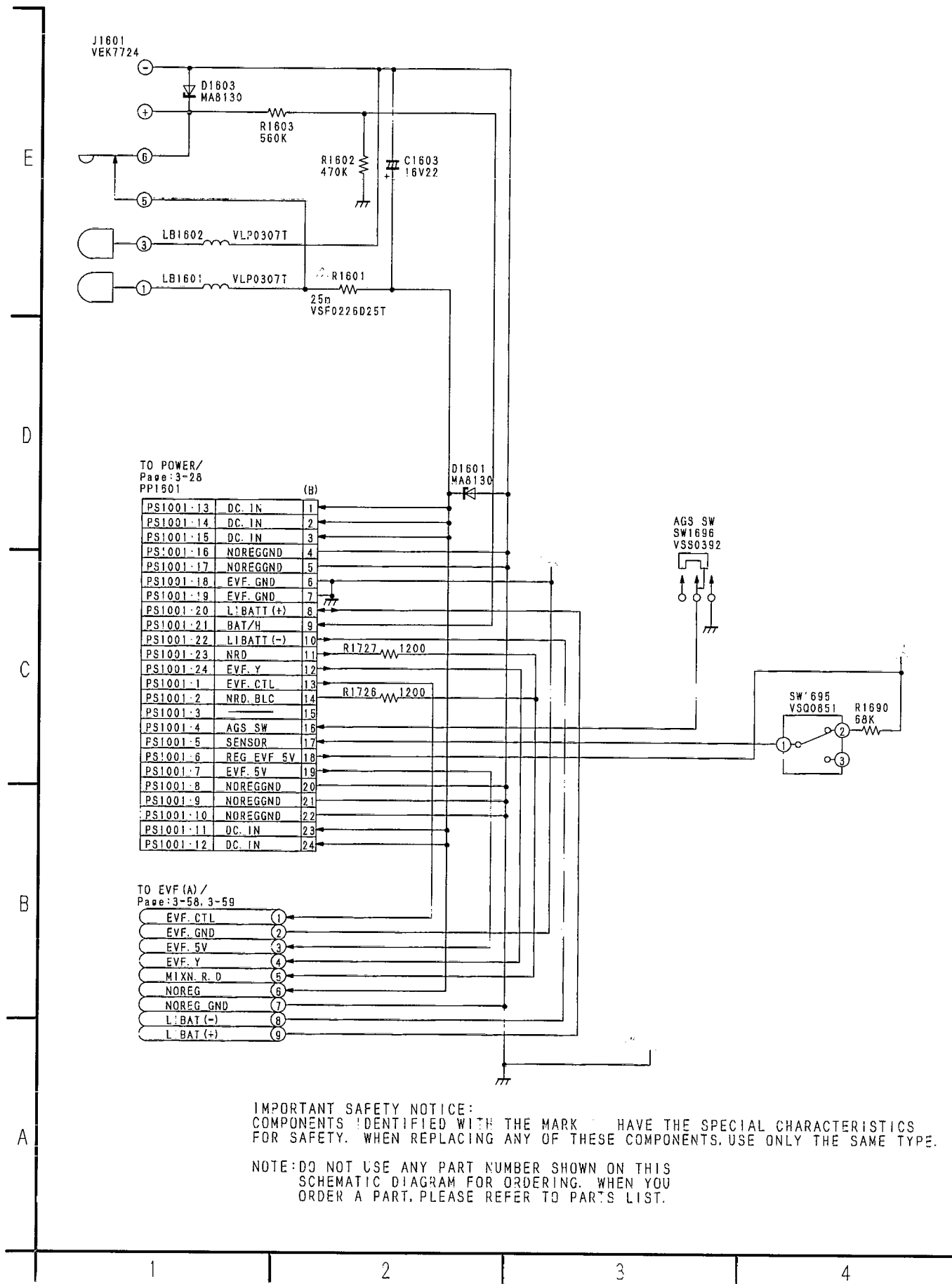
3-22. CCD FLEXIBLE CARD SCHEMATIC DIAGRAM



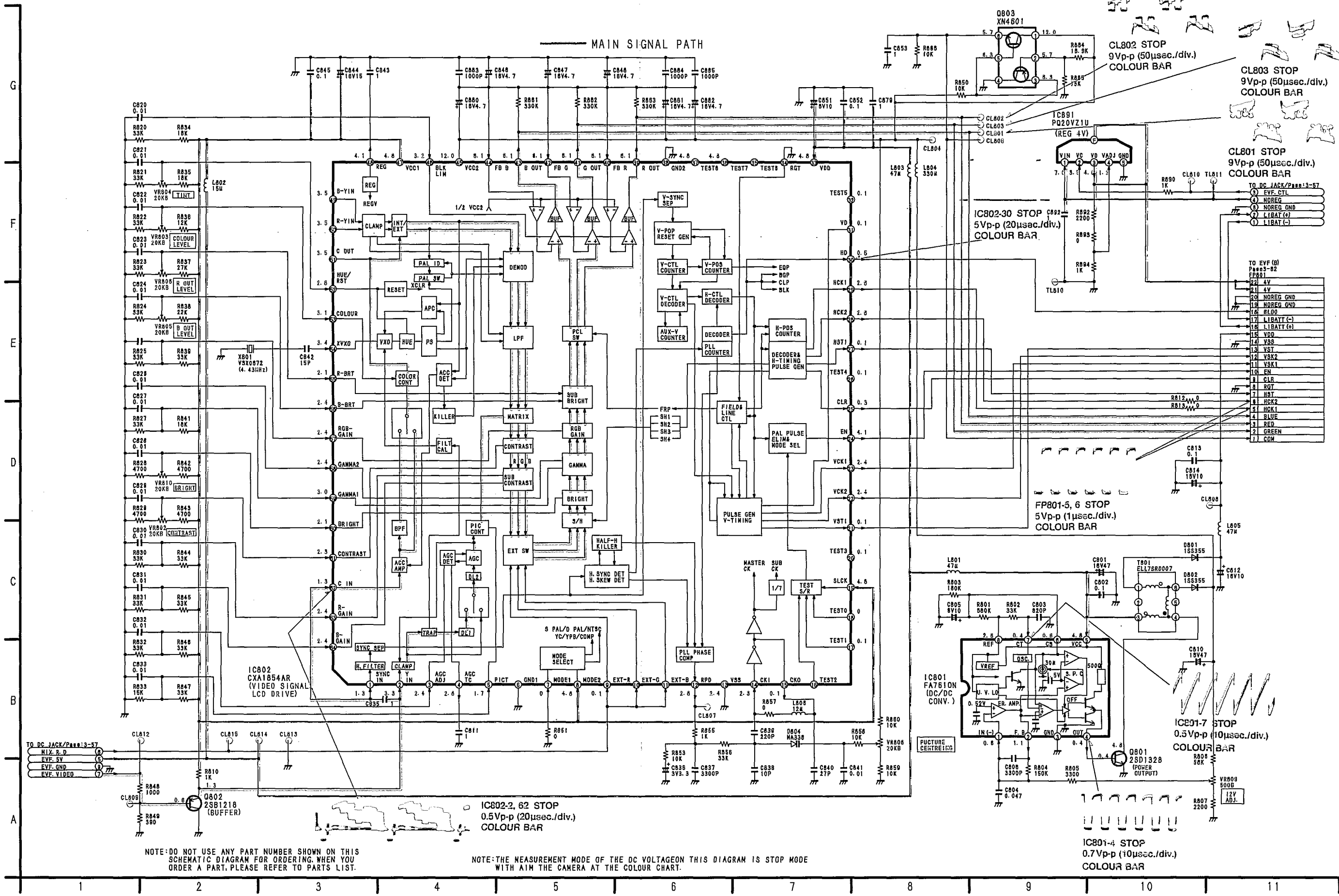
3-23. CCD FLEXIBLE CARD C.B.A. (VEP22140B)



3-24. DC JACK SCHEMATIC DIAGRAM



3-25. EVF (A) SCHEMATIC DIAGRAM

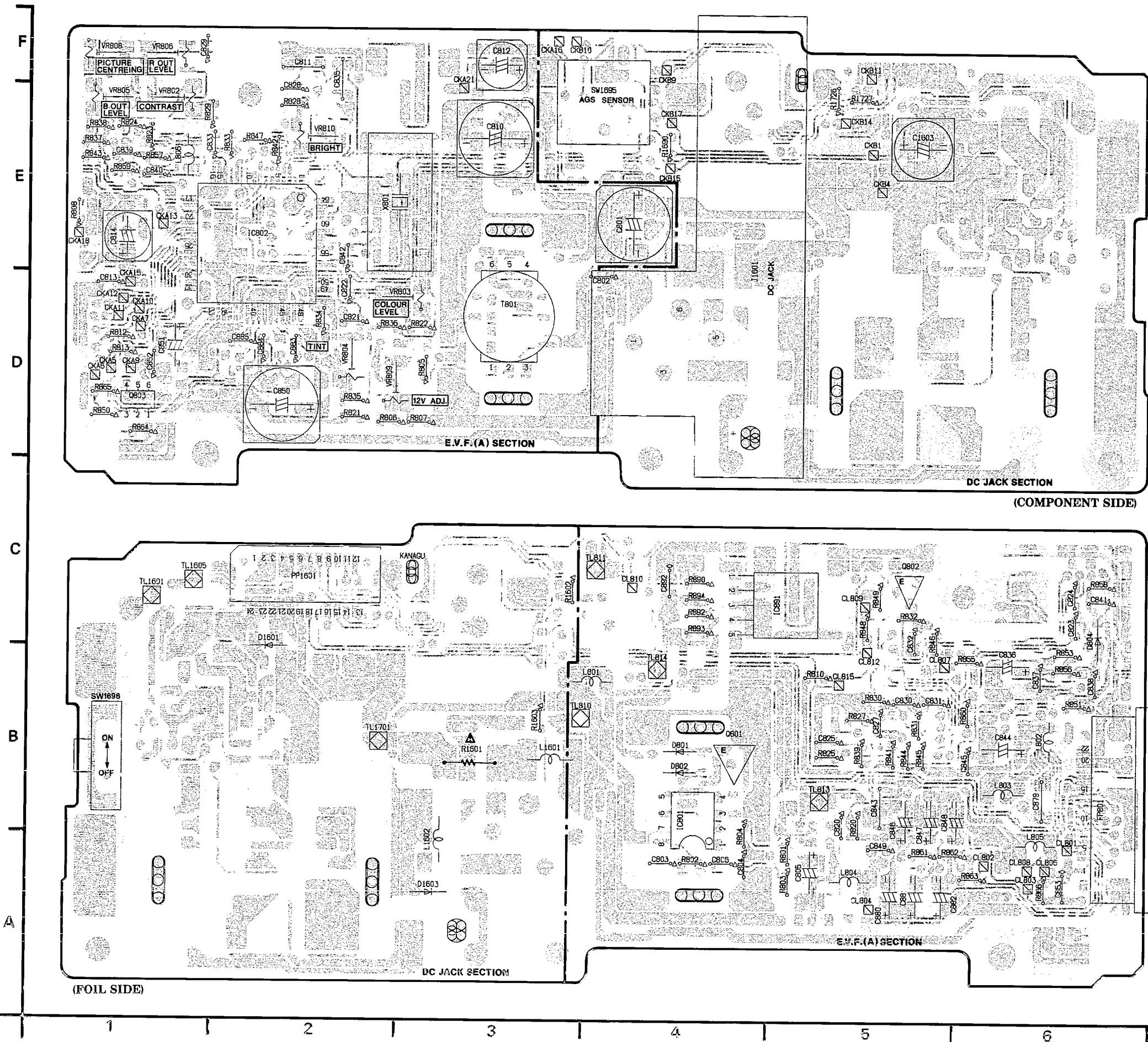


NOTE: DO NOT USE ANY PART NUMBER SHOWN ON THIS SCHEMATIC DIAGRAM FOR ORDERING. WHEN YOU ORDER A PART, PLEASE REFER TO PARTS LIST.

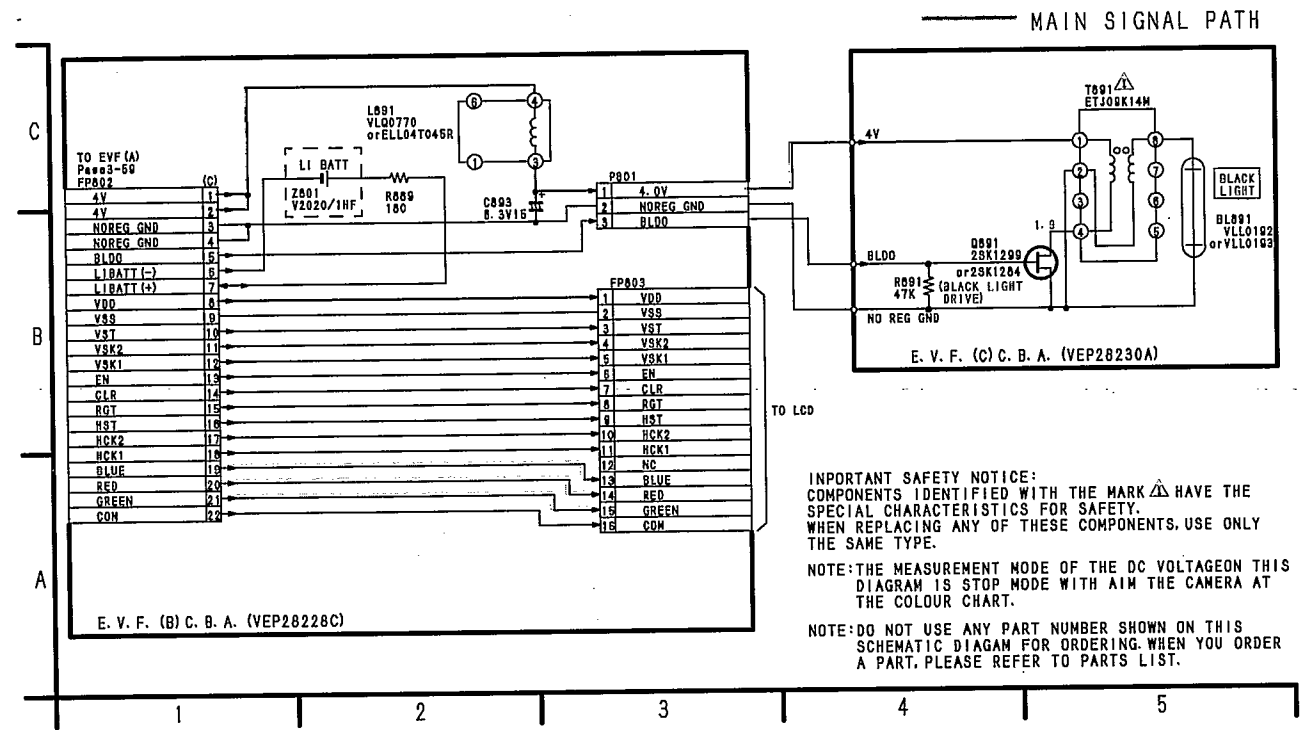
NOTE: THE MEASUREMENT MODE OF THE DC VOLTAGE ON THIS DIAGRAM IS STOP MODE WITH AIM THE CAMERA AT THE COLOUR CHART.

Back Page:
DC JACK, CCD Section

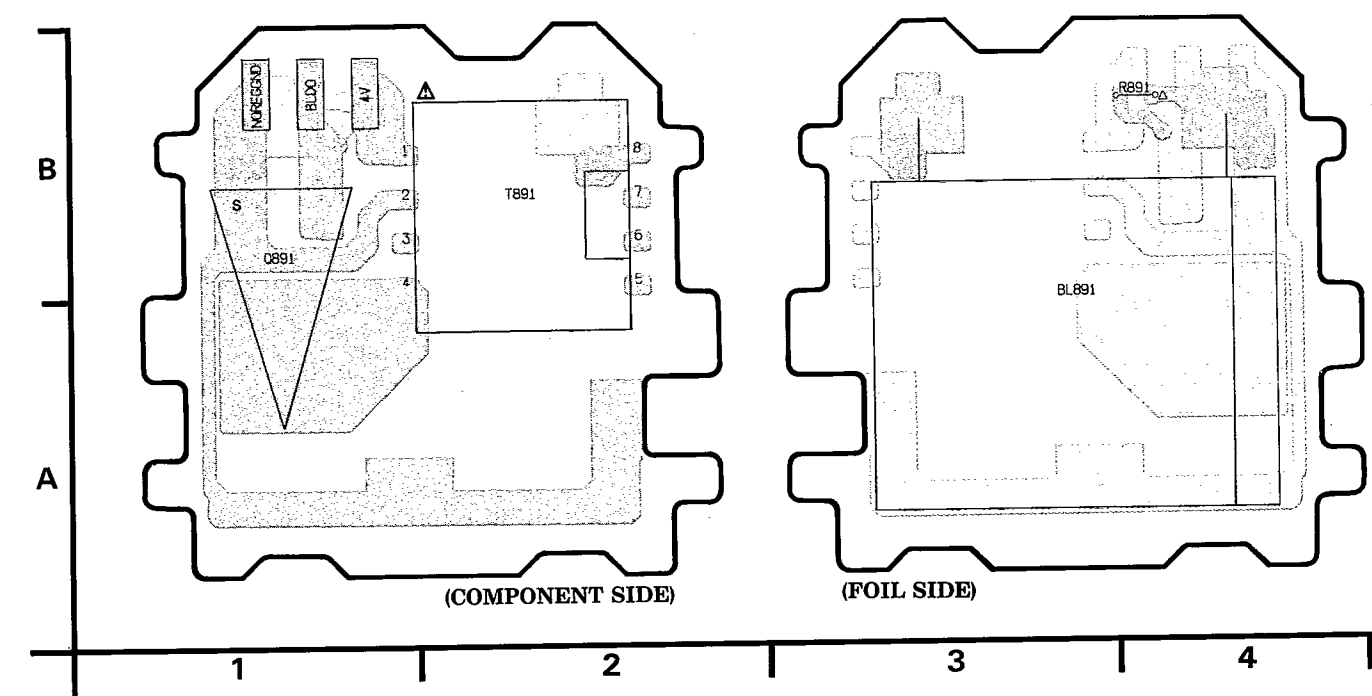
3-26. EVF (A) [EVF, DC Jack Section] C.B.A. (VEP28227C)



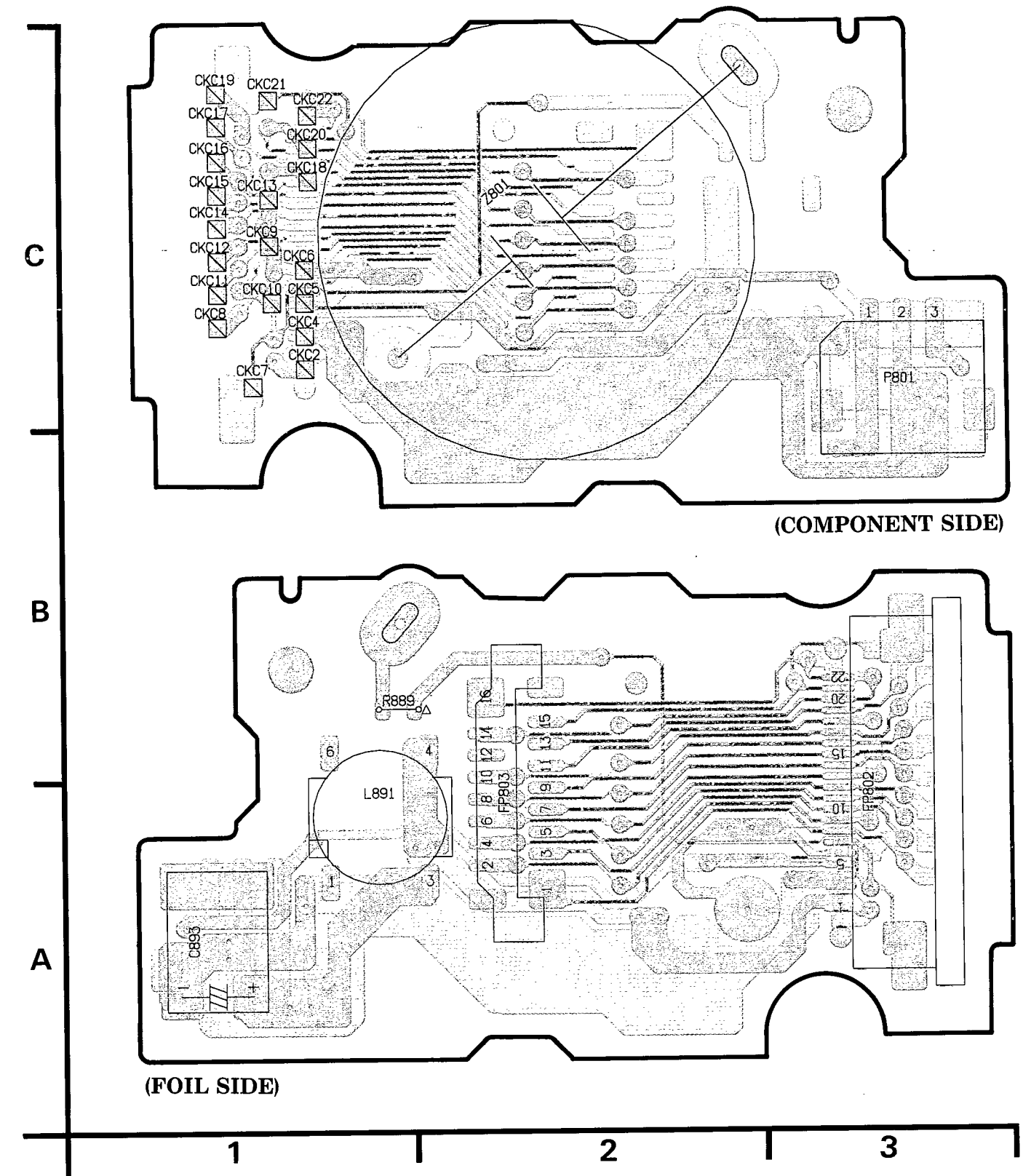
3-27. EVF (B)(C) SCHEMATIC DIAGRAM



3-28. EVF (C) C.B.A. (VEP28230A)



3-29. EVF (B) C.B.A. (VEP28228C)

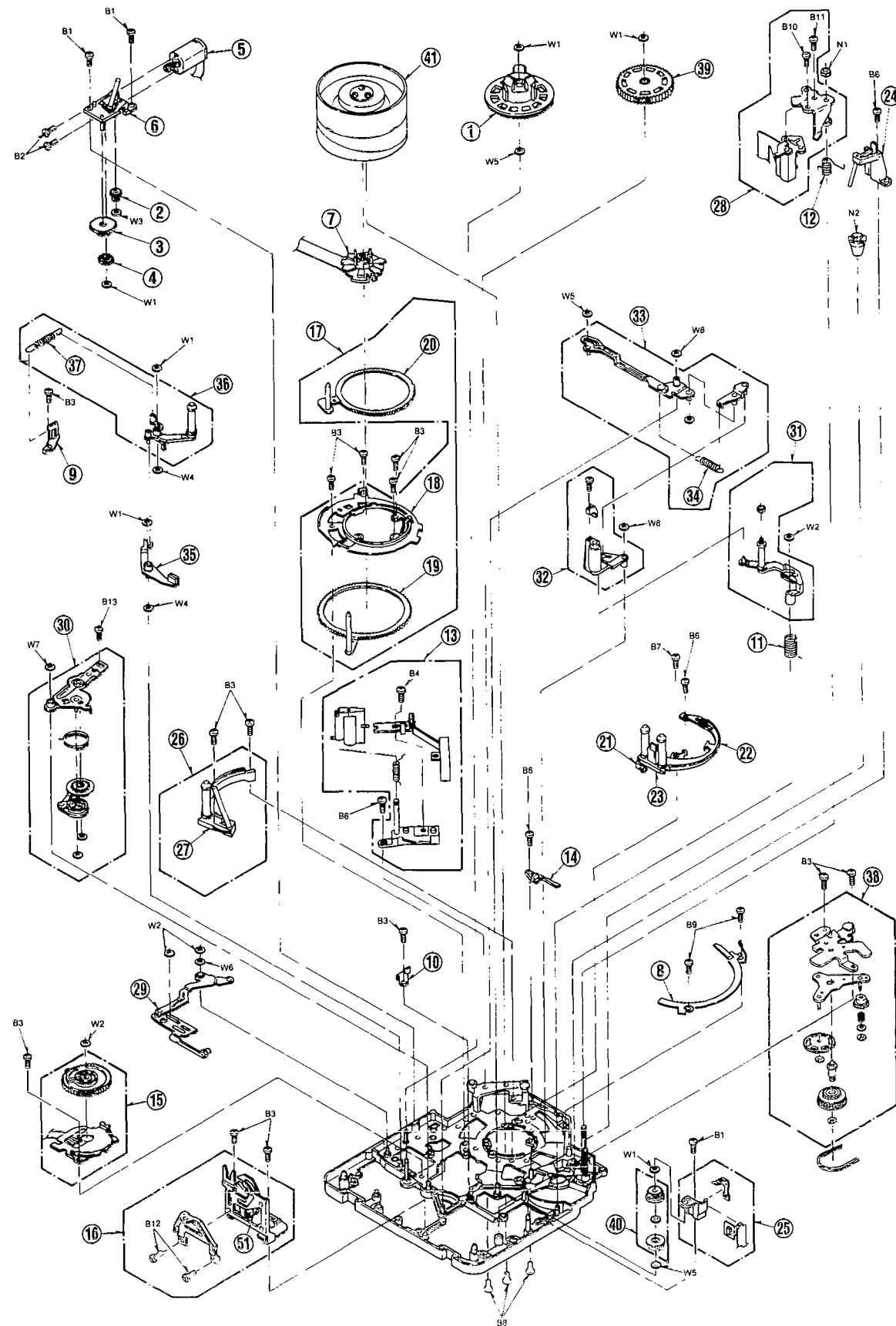


SECTION 4

EXPLODED VIEWS & PARTS LIST

4-1. EXPLODED VIEWS & MECHANICAL REPLACEMENT PARTS LIST

① VTR MECHANISM SECTION (1)

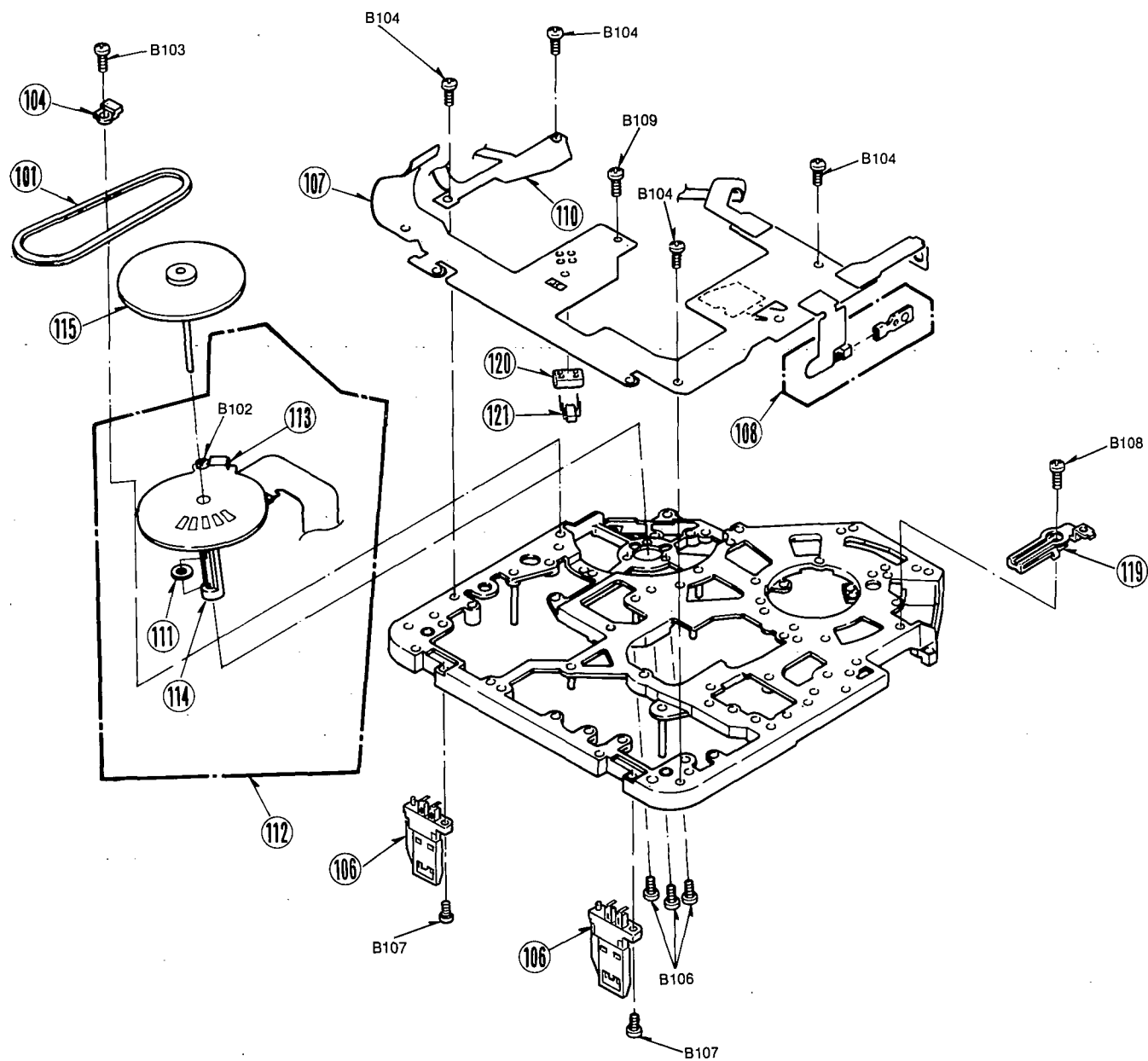


Note: 1. * Be sure to make your orders of replacement parts according to this list.
 2. IMPORTANT SAFETY NOTICE
 Components identified with the mark Δ have the special characteristics for safety. When replacing any of these components, use only the same type.

Ref. No.	Part No.	Part Name & Description	Pcs	Remarks
1 (1)	VDR0226	REEL BASE (S)	1	
2 (1)	VDG0821	BRAKE GEAR (A)	1	
3 (1)	VDG0823	BRAKE GEAR (B)	1	
4 (1)	VDG0822	BRAKE GEAR (C)	1	
5 (1)	VEM0417	LOADING MOTOR (1) U.	1	
6 (1)	VXA4527	MOTOR HOLDER U.	1	
7 (1)	VEK7073	RT CONNECTOR U.	1	
8 (1)	VMA8502	T-RING SLIDER	1	
9 (1)	VMA8505	TEN-REG. SPRING HOOK	1	
10 (1)	VMA8532	PENDULUM ARM HOLDER	1	
11 (1)	VMB2362	T3 ARM SPRING	1	
12 (1)	VMB2365	AG HEAD SPRING	1	
13 (1)	VXA5306	S-GUIDE STAND U.	1	
14 (1)	VMD1851	T-BOAT GUIDE	1	
15 (1)	VSR0096	MODE SWITCH U.	1	
16 (1)	VXA5001	LOCK BASE U.	1	
17 (1)	VXA4517	LOADING RING U.	1	
18 (1)	VMD1824	RING GUIDE	1	
19 (1)	VXA4518	T-RING U.	1	
20 (1)	VXA4519	S-RING U.	1	
21 (1)	VEK5549	LED U.	1	
22 (1)	VMD1828	T-RAIL	1	
23 (1)	VXA5260	T-BOAT U.	1	
24 (1)	VXA4528	T4 POST U.	1	
25 (1)	VXA4997	T-REEL SENSOR U.	1	
26 (1)	VXA5153	S-RAIL U.	1	
27 (1)	VXA5124	S-BOAT U.	1	
28 (1)	VXA5201	AG HEAD U.	1	
29 (1)	VXL2393	EJECT LEVER (1) U.	1	
30 (1)	VXL2401	SWING ARM U.	1	
31 (1)	VXL2431	T3 ARM (A) U.	1	

Ref. No.	Part No.	Part Name & Description	Pcs	Remarks
32 (1)	VXL2139	PINCH ARM U.	1	
33 (1)	VXL2140	PINCH DRIVE ARM U.	1	
34 (1)	VMB2363	PINCH PRESSURE SPRING	1	
35 (1)	VXL2144	PAD ARM U.	1	
36 (1)	VXL2145	TEN-REG. ARM U.	1	
37 (1)	VMB2364	TEN-REG. SPRING	1	
38 (1)	VXL2399	IDLER U.	1	
39 (1)	VXP1308	RELAY GEAR U.	1	
40 (1)	VXP1313	T-DRIVE GEAR U.	1	
41 (1)	VEG1174	CYLINDER U.	1	NV-RX70EG
41 (1)	VEG1175	CYLINDER U.	1	NV-RX70B/A/EN/EE
51 (1)	VMB2369	LOCK SPRING	1	
B1 (1)	XQN14+B25FY	SCREW	3	
B2 (1)	XQN14+A14	SCREW	2	
B3 (1)	XQN14+B2	SCREW	13	
B4 (1)	XQN14+B3J5	SCREW	1	
B6 (1)	XQN14+CF4	SCREW	4	
B7 (1)	XQN14+C5	SCREW	1	
B8 (1)	XQN14+C35R	SCREW	3	
B9 (1)	VHD0711	SCREW	2	
B10 (1)	VHD0700	SCREW	1	
B11 (1)	VHD0699	SCREW	1	
B12 (1)	XQN14+C2	SCREW	2	
B13 (1)	VHD0707	SCREW	1	
N1 (1)	VHN0047	NUT	1	
N2 (1)	VHN0175	NUT	1	
W1 (1)	VMX2027	WASHER	6	
W2 (1)	VMX2026	WASHER	4	
W3 (1)	VMX2051	WASHER	1	
W4 (1)	XWGV1223G	WASHER	2	
W5 (1)	XWGV12Y3G	WASHER	3	
W6 (1)	XWGV0007	WASHER	1	
W7 (1)	VMX2366	WASHER	1	
W8 (1)	VMX2359	CUT WASHER	2	

2 VTR MECHANISM SECTION (2)

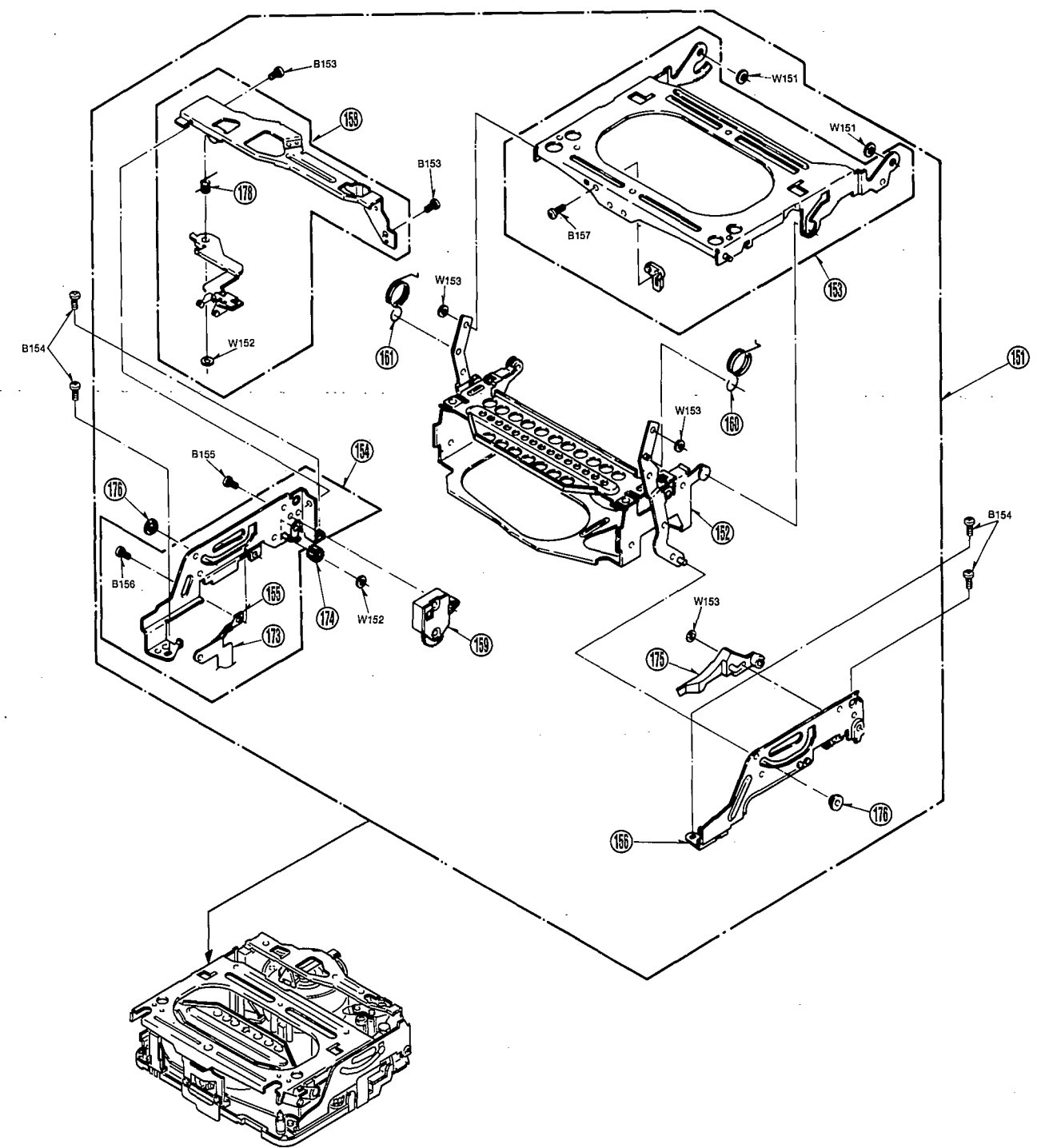


Note: 1. * Be sure to make your orders of replacement parts according to this list.
 2. IMPORTANT SAFETY NOTICE
 Components identified with the mark Δ have the special characteristics for safety. When replacing any of these components, use only the same type.

Ref. No.	Part No.	Part Name & Description	Pcs	Remarks
101 (2)	VDV0232	CAPSTAN BELT	1	
104 (2)	VMD1846	CAPSTAN STOPPER	1	
106 (2)	VSH0065	REC SAFETY SW U.	1	
107 (2)	VWJ0878	MECH. FLEXIBLE CARD	1	
108 (2)	VXA4511	PHOTO (L) U.	1	
110 (2)	VXA4997	T-REEL SENSOR U.	1	
111 (2)	VDB1129	LOWER BEARING	1	
112 (2)	VEK7314	STATOR U.	1	

Ref. No.	Part No.	Part Name & Description	Pcs	Remarks
113 (2)	VBK0059	MR HEAD	1	
114 (2)	VXD0134	HOUSING U.	1	
115 (2)	VXP1303	ROTOR U.	1	
119 (2)	VMP4923	H. A. EARTH PLATE	1	
120 (2)	VMD1842	REEL SENSOR MOUNT	1	
121 (2)	ON2170-LM	REEL SENSOR	1	
B102 (2)	VHD0593	SCREW	1	
B103 (2)	XQN14+B25FY	SCREW	1	
B104 (2)	XQN14+C2R	SCREW	4	
B106 (2)	XQN14+A3	SCREW	3	
B107 (2)	XQN14+GF4	SCREW	1	
B108 (2)	XQN14+C2	SCREW	1	
B109 (2)	VHD0875	SCREW	1	

3 VTR MECHANISM SECTION (3)

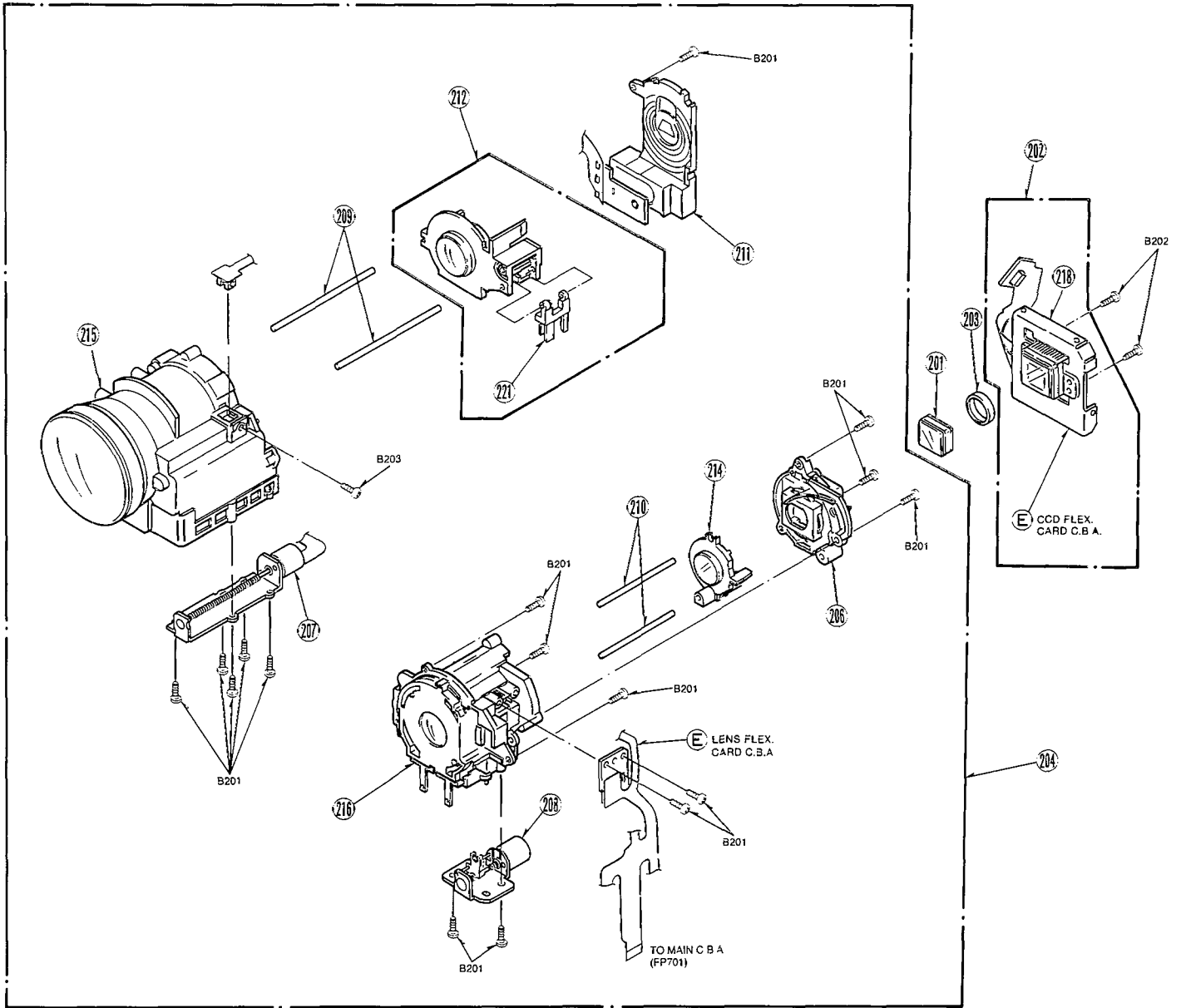


Note: 1. * Be sure to make your orders of replacement parts according to this list.
 2. IMPORTANT SAFETY NOTICE
 Components identified with the mark Δ have the special characteristics for safety. When replacing any of these components, use only the same type.

Ref. No.	Part No.	Part Name & Description	Pcs	Remarks
151 (3)	VXA5725	GARAGE U.	1	
152 (3)	VXA5199	HOLDER U.	1	
153 (3)	VXA4863	GARAGE (1) U.	1	
154 (3)	VXA4510	STAND (L) U.	1	
155 (3)	VXA4511	PHOTO (L) U.	1	
156 (3)	VXA5000	STAND (R) U.	1	
158 (3)	VXL2222	TAPE GUIDE U.	1	
159 (3)	VXP1472	DUMPER	1	
160 (3)	VMB2367	UP SPRING (R)	1	
161 (3)	VMB2368	UP SPRING (L)	1	

Ref. No.	Part No.	Part Name & Description	Pcs	Remarks
173 (3)	VWJ0548	PHOTO FLEX. CARD	1	
174 (3)	VDG0827	DUMPER RELAY GEAR	1	
175 (3)	VML2580	TAPE OPEN LEVER	1	
176 (3)	VDP1406	ARM HOLDER	2	
178 (3)	VMB2498	TAPE GUIDE SPRING	1	
B153 (3)	XQN14+BF2	SCREW	2	
B154 (3)	VHD0838	SCREW	4	
B155 (3)	XQN16+AJ8	SCREW	1	
B156 (3)	XQN14+CM2	SCREW	1	
B157 (3)	XQS14+A25FZ	SCREW	1	
W151 (3)	VMX1042	WASHER	2	
W152 (3)	VMX1061	WASHER	2	
W153 (3)	XKGV0006	WASHER	3	

4 CAMERA LENS SECTION

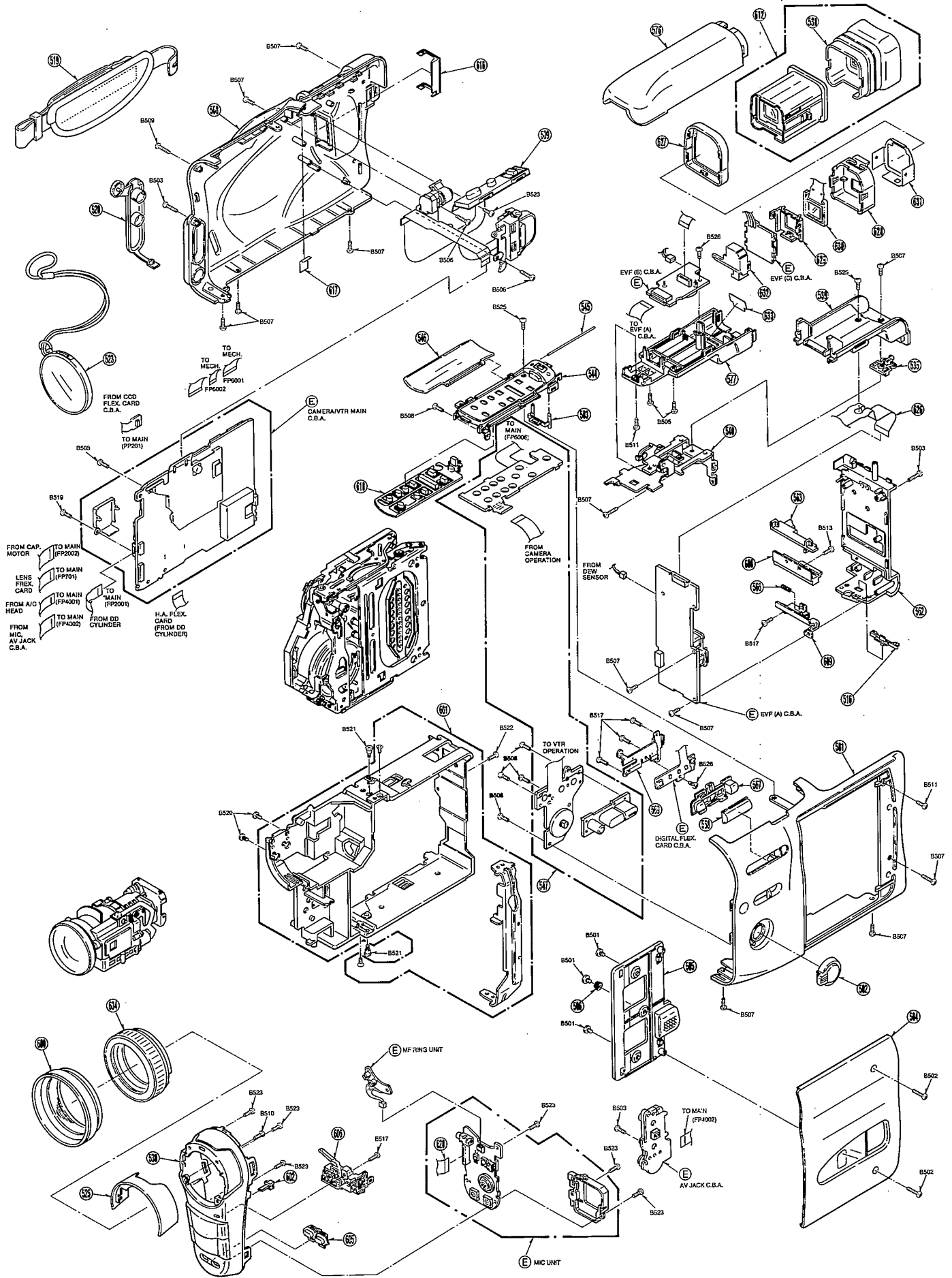


Note: 1. * Be sure to make your orders of replacement parts according to this list.
 2. IMPORTANT SAFETY NOTICE
 Components identified with the mark Δ have the special characteristics for safety. When replacing any of these components, use only the same type

Ref. No.	Part No.	Part Name & Description	Pcs	Remarks
201 (4)	VDL0419	CRYSTAL FILTER	1	
202 (4)	VEK8147	CGD UNIT	1	
203 (4)	VMX2376	CGD CUSHION	1	
204 (4)	VXW0348	LENS U.	1	
206 (4)	VDW0490	CRYSTAL MOUNT PLATE	1	
207 (4)	VEW0625	ZOOM MOTOR U.	1	
208 (4)	VEW0626	FOCUS MOTOR U.	1	
209 (4)	VMS5735	Z GUIDE POLE	2	

Ref. No.	Part No.	Part Name & Description	Pcs	Remarks
210 (4)	VMS5736	F GUIDE POLE	2	
211 (4)	VXL2445	IRIS U.	1	
212 (4)	VXP1807	2ND. MOVING FRAME U.	1	
214 (4)	VXP1813	4TH. MOVING FRAME U.	1	
215 (4)	VXQ0642	MAIN FRAME U.	1	
216 (4)	VXQ0643	3RD. LENS FRAME U.	1	
218 (4)	VSG3671	CGD SHIELD CASE	1	
221 (4)	VML3251	2ND RACK	1	
222 (4)	VMA9680	ANTI-VIBRATION SHEET	1	
B201 (4)	XQN16+GJ5	SCREW	16	
3202 (4)	XQN16+GJ6	SCREW	2	
B203 (4)	VHD0852	SCREW	1	

5 FRAME & CASING PARTS SECTION

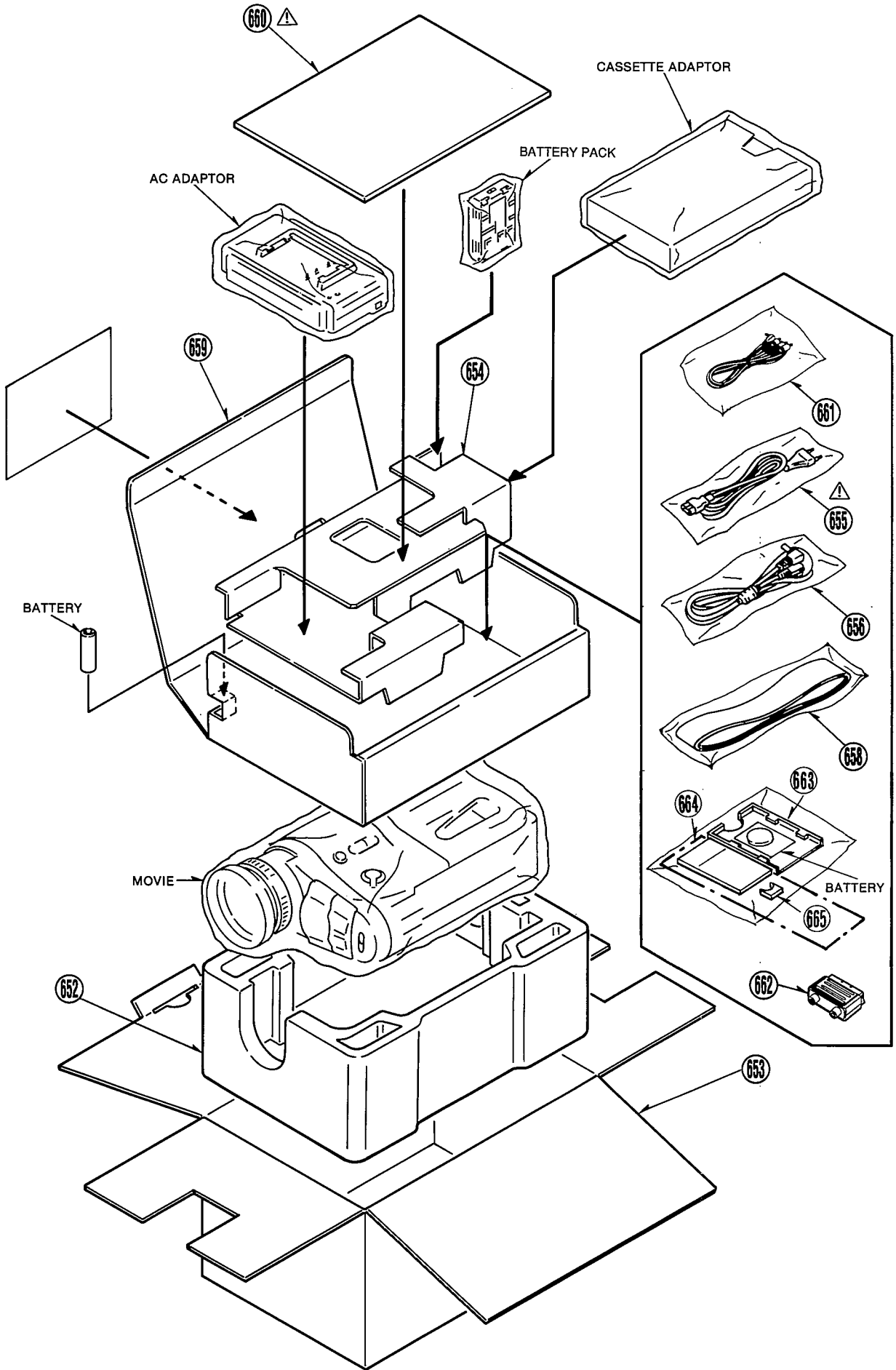


Note: 1. * Be sure to make your orders of replacement parts according to this list.
 2. IMPORTANT SAFETY NOTICE
 Components identified with the mark Δ have the special characteristics for safety. When replacing any of these components, use only the same type.

Ref. No.	Part No.	Part Name & Description	Pcs	Remarks
501 (5)	VKM4725	SIDE CASE (R)	1	NV-RX70EG/B
501 (5)	VKM4691	SIDE CASE (R)	1	NV-RX70A/EN/EE
502 (5)	VXU1468	AE DIAL U	1	
503 (5)	VGL0725	TOP PANEL LIGHT	1	
504 (5)	VYK7717	CASSETTE COVER (1) U.	1	NV-RX70A/EN/EE
504 (5)	VYK7718	CASSETTE COVER (1) U.	1	NV-RX70EG/B
505 (5)	VGU7177	CASSETTE LOCK BUTTON	1	
506 (5)	VMB2604	CASSETTE COIL SPRING	1	
508 (5)	VYK7722	SIDE CASE (L) (1) U.	1	
509 (5)	VXU1461	S/S. ZOOM. EJECT U.	1	
516 (5)	VGU7207	AGS KNOB	1	
519 (5)	VYQ0618	GRIP BELT U.	1	
520 (5)	VKF2705	AV JACK COVER	1	
523 (5)	VYF2157	HOOD COVER U	1	
525 (5)	VGQ4231	LENS COVER	1	
530 (5)	VYK7720	FRONT CASE (1) U	1	
535 (5)	VGQ4173	EVF LOCK PIECE	1	
538 (5)	VMB0996	EYE CAP	1	
539 (5)	VKM4451	EVF MOUNT PANEL	1	
540 (5)	VYK6784	EVF ROTARY ANGLE U.	1	
544 (5)	VYK7713	TOP PANEL (1) U	1	NV-RX70B/A/EN/EE
544 (5)	VYK7714	TOP PANEL (1) U.	1	NV-RX70EG
545 (5)	VMS6103	DOOR SHAFT	1	
546 (5)	VKF2590	VTR DOOR	1	
547 (5)	VEK8113	VTR OPERATION U.	1	
562 (5)	VKM4313	REAR CASE	1	
563 (5)	VGQ4118	BATTERY LOCK	1	
566 (5)	VMB2386	BATTERY LOCK SPRING	1	
567 (5)	VGU7579	DIGITAL MODE BUTTON	1	
568 (5)	VKM2406	INDICATION WINDOW	1	
569 (5)	VMP5419	DIGITAL LED PLATE	1	

Ref. No.	Part No.	Part Name & Description	Pcs	Remarks
576 (5)	VKM4443	EVF CASE (UPPER)	1	
577 (5)	VKM4444	EVF CASE (LOWER)	1	
600 (5)	VYQ1397	LENS HOOD U.	1	
601 (5)	VYQ1418	MAIN FRAME	1	
602 (5)	VGL0737	TALLY PANEL LIGHT	1	
604 (5)	VXP1828	WF RING U.	1	
605 (5)	VGU7450	WF SELECT BUTTON	1	
606 (5)	VGQ4341	DIS KNOB HOLDER	1	
608 (5)	VGQ2607	BATTERY LOCK HOLDER	1	
609 (5)	VMP4948	BATTERY LOCK HOLD ANGLE	1	
612 (5)	VYQ1315	EYE CAP HOLDER U	1	
616 (5)	VKF2704	S/S HOLDER COVER	1	
617 (5)	VGQ4225	ZOOM BARRIER	1	
618 (5)	VGU7471	VTR OPERATION BUTTON	1	NV-RX70B/A/EN/EE
618 (5)	VGU7470	VTR OPERATION BUTTON	1	NV-RX70EG
620 (5)	VJB09115	FRONT FPC	1	
B501 (5)	VHD0794	SCREW	3	
B502 (5)	XQN2+CF7FZ	SCREW	2	
B503 (5)	XQN2+CJ12FZ	SCREW	2	
B505 (5)	XQN16+CG8FZ	SCREW	2	
B506 (5)	XQN2+CJ8	SCREW	2	
B507 (5)	XQN2+CJ6FZ	SCREW	11	
B508 (5)	XQN2+CJ6	SCREW	7	
B509 (5)	XQN2+CJ8FZ	SCREW	1	
B510 (5)	XQN16+CJ4	SCREW	1	
B511 (5)	XQN2+CF4FZ	SCREW	2	
B513 (5)	XQN2+BF4	SCREW	1	
B515 (5)	VHD0687	SCREW	1	
B517 (5)	XQN2+CJ4	SCREW	2	
B519 (5)	XTB2+4F	SCREW	1	
B520 (5)	VHD1054	SCREW	2	
B521 (5)	VHD0713	SCREW	2	
B522 (5)	XQN2+C3	SCREW	1	
B523 (5)	XQN2+CJ5	SCREW	7	
B525 (5)	XQN2+CG6FZ	SCREW	1	
B526 (5)	XQN2+C2	SCREW	1	

6 PACKING PARTS & ACCESSORIES SECTION



Note: 1. Be sure to make your orders of replacement parts according to this list.

2. IMPORTANT SAFETY NOTICE

Components identified with the mark Δ have the special characteristics for safety. When replacing any of these components, use only the same type.

Ref. No.	Part No.	Part Name & Description	Pcs	Remarks
652 (6)	VPN4500	CUSHION (LOWER)	1	
653 (6)	VPG9015	PACKING	1	NV-RX70EN
653 (6)	VPG9016	PACKING	1	NV-RX70ENH
653 (6)	VPG9018	PACKING	1	NV-RX70A
653 (6)	VPG9017	PACKING	1	NV-RX70EE
653 (6)	VPG9019	PACKING	1	NV-RX70EG
653 (6)	VPG9023	PACKING	1	NV-RX70B
654 (6)	VPN4497	ACCESSORIES PAD	1	
Δ 655 (6)	VJA0664	AC CORD	1	NV-RX70EG/EN/EE
Δ 655 (6)	VJA0940	AC CORD	1	NV-RX70B/ENH
Δ 655 (6)	VJA0754	AC CORD	1	NV-RX70A
656 (6)	VJA0941	DC OUTPUT CABLE	1	NV-RX70EG/B/EE
656 (6)	VJA0769	DC OUTPUT CABLE	1	NV-RX70A/EN
658 (6)	VFC2522	SHOULDER STRAP	1	
659 (6)	VPN4496	ACCESSORIES BOX	1	
Δ 660 (6)	VQT7027	OPERATING INSTRUCTIONS (ENGLISH)	1	NV-RX70A
Δ 660 (6)	VQT7028	OPERATING INSTRUCTIONS (GERMAN/ENGLISH /FRENCH/SPANISH)	1	NV-RX70EG
Δ 660 (6)	VQT7029	OPERATING INSTRUCTIONS (ITALIAN/DUTCH /SWEDISH/DANISH)	1	NV-RX70EG
Δ 660 (6)	VQT7036	OPERATING INSTRUCTIONS (ENGLISH)	1	NV-RX70B
Δ 660 (6)	VQT7025	OPERATING INSTRUCTIONS (ENGLISH/RUSSIAN /CHINESE/ARABIC)	1	NV-RX70EN
Δ 660 (6)	VQT7026	OPERATING INSTRUCTIONS (ENGLISH/RUSSIAN /CHINESE/POLISH)	1	NV-RX70EE
661 (6)	VFA0039	AV CORD	1	
662 (6)	VFA0152	21-PIN ADAPTOR	1	NV-RX70EG/EN
663 (6)	VG06893	REMOTE CONTROLLER HOLDER	1	
664 (6)	VEQ1887	REMOTE CONTROLLER	1	
665 (6)	VJF1262	BATTERY COVER	1	

Ref. No.	Part No.	Part Name & Description	Pcs	Remarks
		***** JIG & TOOLS *****		
		----- ELECTRICAL -----		
		TATSUJIN KIT (For individual part numbers of Tatsujin kit, please refer to Technical Information order No. VRD9609T08)		
	VFKWOF0033	ATTACHMENT CABLE	2	OR VFK0670
	VFKWOF0055	ATTACHMENT CABLE	2	
	VFKWOF0001	COMMON CABLE	2	
	VFKWOF0128	ATTACHMENT CABLE	1	OR VFK0978
	VFKWOF0127	ATTACHMENT CABLE	1	
	VFKWOF0001	COMMON CABLE	1	
	VFKWOF0118	ATTACHMENT CABLE	1	OR VFK0929
	VFKWOF0117	ATTACHMENT CABLE	1	
	VFKWOF0001	COMMON CABLE	1	
	VFKWOF0132	ATTACHMENT CABLE	1	OR VFK0980
	VFKWOF0131	ATTACHMENT CABLE	1	
	VFKWOF0001	COMMON CABLE	1	
	VFKWOF0111	ATTACHMENT CABLE	1	OR VFK013
	VFKWOF0112	ATTACHMENT CABLE	1	
	VFKWOF0001	COMMON CABLE	1	
	VFKWOF0140	ATTACHMENT CABLE	1	
	VFKWOF0139	ATTACHMENT CABLE	1	
	VFKWOF0001	COMMON CABLE	1	
	VFK0668	EXTENSION CABLE	1	
		----- MECHANICAL -----		
	VFK0743	H-POSITION ADJUSTMENT	1	
	VFK0824	ASTERISK TYPE WRENCH	1	
	VFM8180HUPF	VHS-C ALIGNMENT TAPE	1	
	VFK0329	POST ADJ. SCREW DRIVER	1	
	VFK0326	HEX WRENCH SET	1	
	VFK27	HEAD CLEANING STICK	1	
	VFK1024	MORLYTONE GREASE	1	

4-2. ELECTRICAL REPLACEMENT PARTS LIST

Note: 1. Be sure to make your orders of replacement parts according to this list.
 2. IMPORTANT SAFETY NOTICE: Components identified with the mark Δ have the special characteristics for safety. When replacing any of these components, use only the same type.
 3. Unless otherwise specified, All resistors are in OHMS, K=1,000 OHMS. All capacitors are in MICROFARADS(uf), P=uF.
 4. The P.C. Board units marked with "■" show below the main assembled parts.
 5. The marking (RTL) indicates the retention time is limited for this item.
 After the discontinuation of this assembly in production, it will no longer be available.

Ref.No.	Part No.	Part Name & Description	Pcs	Remarks
■	VEP23434B	CAMERA/MAIN C.B.A.	1	(RTL)
■	VEP28227C	E.V.F. (A) C.B.A.	1	(RTL)
■	VEP28228C	E.V.F. (B) C.B.A.	1	(RTL)
■	VEP28230A	E.V.F. (C) C.B.A.	1	(RTL)
■	VEP22140B	CCD FLEX. CARD C.B.A.	1	(RTL)
■	VEK8084	LENS FLEX. CARD C.B.A.	1	(RTL)
■	VEK8170	MIC UNIT	1	(RTL)
■	VEP23442A	DIGITAL FLEX. CARD C.B.A.	1	(RTL)
■	VEP00Y39A	AV JACK C.B.A.	1	(RTL)
■	VXP1828	MF RING UNIT	1	(RTL)
■	VEP23434B	CAMERA/MAIN C.B.A.		(RTL)
G201	ECUM1E104KBN	C. CAPACITOR CH 25V 0.1U	1	
G202	ECUX1H120JCV	C. CAPACITOR CH 50V 12P	1	
G204	ECUX1H103KBV	C. CAPACITOR CH 50V 0.01U	1	
G205-07	ECUX1H100CCV	C. CAPACITOR CH 50V 10P	3	
G209, 10	ECUX1H103KBV	C. CAPACITOR CH 50V 0.01U	2	
G213	ECUX1H100CCV	C. CAPACITOR CH 50V 10P	1	
G214	ECUM1E104KBN	C. CAPACITOR CH 25V 0.1U	1	
G216	EGSTOJY106Z	T. CAPACITOR CH 6.3V 10U	1	
G219	ECUX1H103KBV	C. CAPACITOR CH 50V 0.01U	1	
G220	ECUM1G104KBV	C. CAPACITOR CH 16V 0.1U	1	
G221	EGSTOJY106Z	T. CAPACITOR CH 6.3V 10U	1	
G222	ECUX1H102KBV	C. CAPACITOR CH 50V 1000P	1	
G223	ECUX1H103KBV	C. CAPACITOR CH 50V 0.01U	1	
G226	ECUM1E104KBN	C. CAPACITOR CH 25V 0.1U	1	
G227	ECUX1H103KBV	C. CAPACITOR CH 50V 0.01U	1	
G228	ECUM1E104KBN	C. CAPACITOR CH 25V 0.1U	1	
G229	ECUX1H103KBV	C. CAPACITOR CH 50V 0.01U	1	
G230	ECEV1AA101U	E. CAPACITOR CH 10V 100U	1	
G231	ECUM1G474KBN	C. CAPACITOR CH 16V 0.47U	1	
G232	ECUX1H103KBV	C. CAPACITOR CH 50V 0.01U	1	
G234	ECUX1H103KBV	C. CAPACITOR CH 50V 0.01U	1	
G235, 36	ECUX1E223KBV	C. CAPACITOR CH 25V 0.022U	2	
G237	ECUX1H103KBV	C. CAPACITOR CH 50V 0.01U	1	
G238	EGSTOJY106Z	T. CAPACITOR CH 6.3V 10U	1	
G241	ECUX1H103KBV	C. CAPACITOR CH 50V 0.01U	1	
G242	ECUM1E104KBN	C. CAPACITOR CH 25V 0.1U	1	
G243	ECUX1H103KBV	C. CAPACITOR CH 50V 0.01U	1	
G244	ECUX1H220JCV	C. CAPACITOR CH 50V 22P	1	
G245	ECUM1G474KBN	C. CAPACITOR CH 16V 0.47U	1	
G246	ECUM1E104KBN	C. CAPACITOR CH 25V 0.1U	1	
G247	ECUX1H220JCV	C. CAPACITOR CH 50V 22P	1	
G248	ECUX1H103KBV	C. CAPACITOR CH 50V 0.01U	1	
G250, 51	ECUX1H103KBV	C. CAPACITOR CH 50V 0.01U	2	
G302	ECUX1H060JCV	C. CAPACITOR CH 50V 6P	1	

Ref.No.	Part No.	Part Name & Description	Pcs	Remarks
G303, 04	ECUM1E104KBN	C. CAPACITOR CH 25V 0.1U	2	
G305	ECUX1H103KBV	C. CAPACITOR CH 50V 0.01U	1	
G306	EGSTOJY106Z	T. CAPACITOR CH 6.3V 10U	1	
G307	ECUX1H680JCV	C. CAPACITOR CH 50V 68P	1	
G309	ECUM1G224KBN	C. CAPACITOR CH 16V 0.24U	1	
G310	EGST1AY225Z	T. CAPACITOR CH 10V 2.2U	1	
G311	ECUM1G105ZFN	C. CAPACITOR CH 16V 1U	1	
G313	ECUM1G104KBV	C. CAPACITOR CH 16V 0.1U	1	
G314	ECUM1A105KBN	C. CAPACITOR CH 10V 1U	1	
G315	ECUX1H103KBV	C. CAPACITOR CH 50V 0.01U	1	
G316	ECUM1G105ZFN	C. CAPACITOR CH 16V 1U	1	
G317	ECUM1E104KBN	C. CAPACITOR CH 25V 0.1U	1	
G318	ECUM1G104KBV	C. CAPACITOR CH 16V 0.1U	1	
G319	EGSTOJY106Z	T. CAPACITOR CH 6.3V 10U	1	
G320	EGST0GX476Z	T. CAPACITOR CH 4V 47U	1	
G321	ECUX1H103KBV	C. CAPACITOR CH 50V 0.01U	1	
G324	ECUX1H220JCV	C. CAPACITOR CH 50V 22P	1	
G325	ECUX1H470JCV	C. CAPACITOR CH 50V 47P	1	
G326	EGSTOJY106Z	T. CAPACITOR CH 6.3V 10U	1	
G330, 31	ECUX1H103KBV	C. CAPACITOR CH 50V 0.01U	2	
G332	EGSTOJY106Z	T. CAPACITOR CH 6.3V 10U	1	
G333-35	ECUX1H103KBV	C. CAPACITOR CH 50V 0.01U	3	
G337	ECUX1H103KBV	C. CAPACITOR CH 50V 0.01U	1	
G339	ECUX1H102KBV	C. CAPACITOR CH 50V 1000P	1	
G340	ECUX1H103KBV	C. CAPACITOR CH 50V 0.01U	1	
G342	ECUX1H103KBV	C. CAPACITOR CH 50V 0.01U	1	
G343	ECUX1H101JCV	C. CAPACITOR CH 50V 100P	1	
G344	ECEV1AA101U	E. CAPACITOR CH 10V 100U	1	
G345-47	ECUX1G104ZV	C. CAPACITOR CH 16V 0.1U	3	
G348	ECUM1G104KBV	C. CAPACITOR CH 16V 0.1U	1	
G351	ECUM1G104KBV	C. CAPACITOR CH 16V 0.1U	1	
G352	ECEV0GA101	E. CAPACITOR CH 4V 100U	1	
G353	EGSTOJY106Z	T. CAPACITOR CH 6.3V 10U	1	
G354, 55	ECUX1H103KBV	C. CAPACITOR CH 50V 0.01U	2	
G356-59	ECUX1H100CCV	C. CAPACITOR CH 50V 10P	4	
G360	EGYX1H821JCV	C. CAPACITOR CH 50V 820P	1	
G702	ECUX1H332KBV	C. CAPACITOR CH 50V 3300P	1	
G703	ECUM1E104KBN	C. CAPACITOR CH 25V 0.1U	1	
G704	EGSTOJY106Z	T. CAPACITOR CH 6.3V 10U	1	
G705	ECEV1CA470	E. CAPACITOR CH 16V 47U	1	
G706	ECUX1H332KBV	C. CAPACITOR CH 50V 3300P	1	
G707	ECUX1H103KBV	C. CAPACITOR CH 50V 0.01U	1	
G709, 10	ECUM1G104KBV	C. CAPACITOR CH 16V 0.1U	2	
G719	ECUX1H102KBV	C. CAPACITOR CH 50V 1000P	1	
G720	ECUM1A105KBN	C. CAPACITOR CH 10V 1U	1	
G721	ECUX1H102KBV	C. CAPACITOR CH 50V 1000P	1	
G722	ECUM1E104KBN	C. CAPACITOR CH 25V 0.1U	1	
G1001	ECUM1A225KBM	C. CAPACITOR CH 10V 2.2U	1	
G1002, 03	ECUM1A335KBM	C. CAPACITOR CH 10V 3.3U	2	
G1004	ECUX1H331JCV	C. CAPACITOR CH 50V 330P	1	
G1005	ECUM1G105KBM	C. CAPACITOR CH 16V 1U	1	
G1008	ECUM1A335KBM	C. CAPACITOR CH 10V 3.3U	1	
G1009	ECUX1H472KBV	C. CAPACITOR CH 50V 4700P	1	
G1010	ECUM1G105KBM	C. CAPACITOR CH 16V 1U	1	
G1012	ECUX1H102KBV	C. CAPACITOR CH 50V 1000P	1	
G1014	ECUX1H561JCV	C. CAPACITOR CH 50V 560P	1	
G1017	ECUM1E105KBM	C. CAPACITOR CH 25V 1U	1	
G1019	ECUM1E334KBM	C. CAPACITOR CH 25V 0.33U	1	
G1020	ECUM1G105ZFN	C. CAPACITOR CH 16V 1U	1	
G1022	ECUM1H104ZFN	C. CAPACITOR CH 50V 0.1U	1	
G1024	ECUM1A105KBN	C. CAPACITOR CH 10V 1U	1	
G1025	ECUM1G104KBV	C. CAPACITOR CH 16V 0.1U	1	
G1026	EGST1GY105Z	T. CAPACITOR CH 16V 1U	1	
G1027	ECUX1H101JCV	C. CAPACITOR CH 50V 100P	1	
G1028	EGST1VY474Z	T. CAPACITOR CH 35V 0.47U	1	
G1029	ECUX1H471JCV	C. CAPACITOR CH 50V 470P	1	
G1030	ECUX1H822KBV	C. CAPACITOR CH 50V 8200P	1	
G1031, 32	ECUX1H103KBV	C. CAPACITOR CH 50V 0.01U	2	
G1033-35	ECUX1H102KBV	C. CAPACITOR CH 50V 1000P	3	
G1036	ECUX1H471JCV	C. CAPACITOR CH 50V 470P	1	
G1037	ECUX1C473KBV	C. CAPACITOR CH 16V 0.47U	1	
G1041	ECUX1H103KBV	C. CAPACITOR CH 50V 0.01U	1	
G1046	ECUX1H103KBV	C. CAPACITOR CH 50V 0.01U	1	
G1051	ECUM1C334KBN	C. CAPACITOR CH 16V 0.33U	1	
G1054	ECEV05A470	E. CAPACITOR CH 4V 47U	1	

Ref. No.	Part No.	Part Name & Description	Pcs	Remarks	Ref. No.	Part No.	Part Name & Description	Pcs	Remarks
C1055	EGUM1C105KBM	C. CAPACITOR CH 16V 1U	1		C4029	EGUX1H222KBV	C. CAPACITOR CH 50V 2200P	1	
C1057	EGUM1C105KBM	C. CAPACITOR CH 16V 1U	1		G4030	EGUX1H562KVB	C. CAPACITOR CH 50V 5600P	1	
C1064	EGUM1C105KBM	C. CAPACITOR CH 16V 1U	1		C4031	EGUX1H102KVB	C. CAPACITOR CH 50V 1000P	1	
C1066	EGUM1C105ZFN	C. CAPACITOR CH 16V 1U	1		C4032	ECUM1A105KBN	C. CAPACITOR CH 10V 1U	1	
C1071	EGUM1C105KBM	C. CAPACITOR CH 16V 1U	1		C4033	EGUX1H562KVB	C. CAPACITOR CH 50V 5600P	1	
C1073	EGUX1H103KBV	C. CAPACITOR CH 50V 0.01U	1		C4034	EGUX1H332KVB	C. CAPACITOR CH 50V 3300P	1	
C1080, 81	EGUX1C473KBV	C. CAPACITOR CH 16V 0.047U	2		C4035	EGUM1A105KBN	C. CAPACITOR CH 10V 1U	1	
C2001, 02	ECEV1HA010	E. CAPACITOR CH 50V 1U	2		C4036	ECEVOJA220	E. CAPACITOR CH 6.3V 22U	1	
C2003	EGUX1H332KVB	C. CAPACITOR CH 50V 3300P	1		C4037	EGUX1C104ZFB	C. CAPACITOR CH 16V 0.1U	1	
C2004	EGUX1H101JCV	C. CAPACITOR CH 50V 100P	1		C4038	EGUX1H103KBV	C. CAPACITOR CH 50V 0.01U	1	
C2005	EGUX1H152KVB	C. CAPACITOR CH 50V 1500P	1		C4091	EGUX1C104ZFB	C. CAPACITOR CH 16V 0.1U	1	
C2006	EGUM1C105KBM	C. CAPACITOR CH 16V 1U	1		C5001-04	EGUX1H103KBV	C. CAPACITOR CH 50V 0.01U	4	
C2007	ECEV1HA010	E. CAPACITOR CH 50V 1U	1		C5005-08	EGUX1H270JCV	C. CAPACITOR CH 50V 27P	4	
C2008	EGUM1H104ZFN	C. CAPACITOR CH 50V 0.1U	1		C5009, 10	EGUX1H103KBV	C. CAPACITOR CH 50V 0.01U	2	
C2009	EGUM1C104KBV	C. CAPACITOR CH 16V 0.1U	1		C5011	EGUM1H473KBN	C. CAPACITOR CH 50V 0.047U	1	
C2010	EGUX1C104ZFB	C. CAPACITOR CH 16V 0.1U	1		C5012, 13	EGUX1H103KBV	C. CAPACITOR CH 50V 0.01U	2	
C2011	EGUX1H101JCV	C. CAPACITOR CH 50V 100P	1		C5014	EGSTOJY106Z	T. CAPACITOR CH 6.3V 10U	1	
C2012, 13	EGUX1H103KBV	C. CAPACITOR CH 50V 0.01U	2		C5016	EGSTOJY106Z	T. CAPACITOR CH 6.3V 10U	1	
C2014	ECEV1CA100	E. CAPACITOR CH 16V 10U	1		C5017	EGUX1H103KBV	C. CAPACITOR CH 50V 0.01U	1	
C2015-17	EGUM1E104KBN	C. CAPACITOR CH 25V 0.1U	3		C5018	EGSTOJY106Z	T. CAPACITOR CH 6.3V 10U	1	
C2018	ECEVOJA220	E. CAPACITOR CH 6.3V 22U	1		C5019	EGUM1C105ZFN	C. CAPACITOR CH 50V 1U	1	
C2020-22	EGUX1H103KBV	C. CAPACITOR CH 50V 0.01U	3		C5020, 21	EGUX1H103KBV	C. CAPACITOR CH 50V 0.01U	2	
C2023	EGUM1A105KBN	C. CAPACITOR CH 10V 1U	1		C5022	EGUM1C104KBV	C. CAPACITOR CH 16V 0.1U	1	
C2025-27	EGUX1C104ZFB	C. CAPACITOR CH 16V 0.1U	3		C5023	EGUX1H103KBV	C. CAPACITOR CH 50V 0.01U	1	
C2028	ECEVOJA220	E. CAPACITOR CH 6.3V 22U	1		C5041	EGUX1H101JCV	C. CAPACITOR CH 50V 100P	1	
C2029	EGUX1H103KBV	C. CAPACITOR CH 50V 0.01U	1		C5501, 02	EGUX1H103KBV	C. CAPACITOR CH 50V 0.01U	2	
C2033	EGUM1C105ZFN	C. CAPACITOR CH 16V 1U	1		C5504-06	EGUX1H103KBV	C. CAPACITOR CH 50V 0.01U	3	
C2040-42	EGUX1C473KBV	C. CAPACITOR CH 16V 0.047U	3		C5507	ECEVO5A470	E. CAPACITOR CH 4V 47U	1	
C2043	EGUX1C104ZFB	C. CAPACITOR CH 16V 0.1U	1		C5508	EGUX1H103KBV	C. CAPACITOR CH 50V 0.01U	1	
C2070	EGUX1H103KBV	C. CAPACITOR CH 50V 0.01U	1		C5509	ECEVO5A470	E. CAPACITOR CH 4V 47U	1	
C3001	EGUX1H680JCV	C. CAPACITOR CH 50V 68P	1		C5510	EGUM1A105KBN	C. CAPACITOR CH 10V 1U	1	
C3004	EGUM1C104KBV	C. CAPACITOR CH 16V 0.1U	1		C5511	EGUM1C104KBV	C. CAPACITOR CH 16V 0.1U	1	
C3005	ECEVO5A470	E. CAPACITOR CH 4V 47U	1		C5512	ECEVO5A470	E. CAPACITOR CH 4V 47U	1	
C3008	EGUM1C104KBV	C. CAPACITOR CH 16V 0.1U	1		C5513	EGUX1C473KVB	C. CAPACITOR CH 16V 0.047U	1	
C3009	EGUX1H103KBV	C. CAPACITOR CH 50V 0.01U	1		C5514	EGUM1A105KBN	C. CAPACITOR CH 10V 1U	1	
C3010	EGUM1C104KBV	C. CAPACITOR CH 16V 0.1U	1		C5515	EGUX1H181JCV	C. CAPACITOR CH 50V 180P	1	
C3016	EGUX1H151JCV	C. CAPACITOR CH 50V 150P	1		C5516	EGUX1H390JCV	C. CAPACITOR CH 50V 39P	1	
C3017	EGUM1C104KBV	C. CAPACITOR CH 16V 0.1U	1		C5517	EGUM1C474KBN	C. CAPACITOR CH 16V 0.47U	1	
C3018	EGUX1H330JCV	C. CAPACITOR CH 50V 33P	1		C5518	EGUX1H103KBV	C. CAPACITOR CH 50V 0.01U	1	
C3019, 20	EGUM1C104KBV	C. CAPACITOR CH 16V 0.1U	2		C5519	EGUM1C104KBV	C. CAPACITOR CH 16V 0.1U	1	
C3022	EGUM1C104KBV	C. CAPACITOR CH 16V 0.1U	1		C5520	EGUX1C333KBV	C. CAPACITOR CH 16V 0.033U	1	
C3023	EGUM1A105KBN	C. CAPACITOR CH 10V 1U	1		C5521	EGUX1H103KBV	C. CAPACITOR CH 50V 0.01U	1	
C3024	EGUM1C104KBV	C. CAPACITOR CH 16V 0.1U	1		C5523	EGUX1H180JCV	C. CAPACITOR CH 50V 18P	1	
C3026	EGUM1C104KBV	C. CAPACITOR CH 16V 0.1U	1		C5524	EGUX1H150JCV	C. CAPACITOR CH 50V 15P	1	
C3027	EGUM1A225KBM	C. CAPACITOR CH 10V 2.2U	1		C5525	EGUX1E273KVB	C. CAPACITOR CH 25V 0.027U	1	
C3028	ECEVOGA471	E. CAPACITOR CH 4V 470U	1		C5526	EGUX1H040CCV	C. CAPACITOR CH 50V 4P	1	
C3029	ECEV1AANI00	E. CAPACITOR CH 10V 10U	1		C5527	EGUM1C104KBV	C. CAPACITOR CH 16V 0.1U	1	
C3030	EGUM1A105KBN	C. CAPACITOR CH 10V 1U	1		C5530	EGUX1H331JCV	C. CAPACITOR CH 50V 330P	1	
C3031	EGUM1C104KBV	C. CAPACITOR CH 16V 0.1U	1		C5531	EGUX1H103KBV	C. CAPACITOR CH 50V 0.01U	1	
C3033	EGUX1H103KBV	C. CAPACITOR CH 50V 0.01U	1		C6001	EGUX1H103KBV	C. CAPACITOR CH 50V 0.01U	1	
C3035	EGSTOJY106Z	T. CAPACITOR CH 6.3V 10U	1		C6002	EGUM1C104KBV	C. CAPACITOR CH 16V 0.1U	1	
C4001, 02	EGUM1C105ZFN	C. CAPACITOR CH 16V 1U	2		C6003-05	EGUX1H103KBV	C. CAPACITOR CH 50V 0.01U	3	
C4003	ECEVO5A470	E. CAPACITOR CH 4V 47U	1		C6006, 07	EGUX1H100CCV	C. CAPACITOR CH 50V 10P	2	
C4006, 07	EGUM1C105ZFN	C. CAPACITOR CH 16V 1U	2		C6008, 09	EGUX1H103KBV	C. CAPACITOR CH 50V 0.01U	2	
C4008	ECEVOJA220	E. CAPACITOR CH 6.3V 22U	1		C6011	EGUX1H150JCV	C. CAPACITOR CH 50V 15P	1	
C4009	EGUX1H682KVB	C. CAPACITOR CH 50V 6800P	1		C6014, 15	EGUX1H103KBV	C. CAPACITOR CH 50V 0.01U	2	
C4010	EGUX1H102KVB	C. CAPACITOR CH 50V 1000P	1		C6016	EGUM1A105KBN	C. CAPACITOR CH 10V 1U	1	
C4011	ECEVO5A470	E. CAPACITOR CH 4V 47U	1		C6018	EGUX1H090CCV	C. CAPACITOR CH 50V 9P	1	
C4012	EGSTOJX226Z	T. CAPACITOR CH 6.3V 22U	1		C6020, 21	EGUX1H103KBV	C. CAPACITOR CH 50V 0.01U	2	
C4013	EGUM1C105ZFN	C. CAPACITOR CH 16V 1U	1		C6022, 23	EGUX1H221JCV	C. CAPACITOR CH 50V 220P	2	
C4014	EGUX1E223KBV	C. CAPACITOR CH 25V 0.022U	1		C6025	EGUX1H103KBV	C. CAPACITOR CH 50V 0.01U	1	
C4015	EGUX1H682KVB	C. CAPACITOR CH 50V 6800P	1		C6026	ECEV1CA470	E. CAPACITOR CH 16V 47U	1	
C4016	EGUM2A472JCM	C. CAPACITOR CH 100V 4700P	1		C6027	ECEVO5A470	E. CAPACITOR CH 4V 47U	1	
C4017	EGUX1H102KVB	C. CAPACITOR CH 50V 1000P	1		C6028	EGUX1H330JCV	C. CAPACITOR CH 50V 33P	1	
C4018	EGUX1H122KVB	C. CAPACITOR CH 50V 1200P	1		C6029	EGUX1H103KBV	C. CAPACITOR CH 50V 0.01U	1	
C4019	EGUX1H561JCV	C. CAPACITOR CH 50V 560P	1		C6030	EGUM1A105KBN	C. CAPACITOR CH 10V 1U	1	
C4020	EGUX1H153KBV	C. CAPACITOR CH 50V 0.015U	1		C6031	EGUX1H103KBV	C. CAPACITOR CH 50V 0.01U	1	
C4021	EGST1CY335Z	T. CAPACITOR CH 16V 3.3U	1		C6032	EGUX1C104ZFB	C. CAPACITOR CH 16V 0.1U	1	
C4022	ECEVO5A470	E. CAPACITOR CH 4V 47U	1		C6034	EGUX1H100CCV	C. CAPACITOR CH 50V 10P	1	
C4023	EGUM1C105ZFN	C. CAPACITOR CH 16V 1U	1		C6037, 38	EGUX1H103KBV	C. CAPACITOR CH 50V 0.01U	2	
C4024	ECEVO5A470	E. CAPACITOR CH 4V 47U	1		C6039	EGUM1C105ZFN	C. CAPACITOR CH 16V 1U	1	
C4025	EGSTOJY106Z	T. CAPACITOR CH 6.3V 10U	1		C6040	EGUM1C104KBV	C. CAPACITOR CH 16V 0.1U	1	
C4026	EGST1VY334Z	T. CAPACITOR CH 35V 0.33U	1		C6041, 42	EGUX1H103KBV	C. CAPACITOR CH 50V 0.01U	2	
C4027	EGUX1H332KVB	C. CAPACITOR CH 50V 3300P	1		C6046	EGUX1H223ZFB	C. CAPACITOR CH 50V 0.022U	1	
C4028	EGUX1H102KVB	C. CAPACITOR CH 50V 1000P	1		C6048	EGUM1A105KBN	C. CAPACITOR CH 10V 1U	1	

Ref. No.	Part No.	Part Name & Description	Pcs	Remarks
C6060	EGUX1H103KBV	C. CAPACITOR CH 50V 0.01U	1	
C6100	EGSTOJY106Z	T. CAPACITOR CH 6.3V 10U	1	
C6201	EGUX1C104ZV	C. CAPACITOR CH 16V 0.1U	1	
C6202	EGUM1C104KBV	C. CAPACITOR CH 16V 0.1U	1	
C6203	ECEV1CA100	E. CAPACITOR CH 16V 10U	1	
C6204	ECUM1A105KBN	C. CAPACITOR CH 10V 1U	1	
C6205	EGUX1H103KBV	C. CAPACITOR CH 50V 0.01U	1	
C6206	ECEVOGA101	E. CAPACITOR CH 4V 100U	1	
C6207	EGUX1H103KBV	C. CAPACITOR CH 50V 0.01U	1	
C6209	ECEVOJA220	E. CAPACITOR CH 6.3V 22U	1	
C6210	ECUM1A105KBN	C. CAPACITOR CH 10V 1U	1	
D201	1SS355	DIODE	1	
D202	MA728	DIODE	1	
D203	1SS355	DIODE	1	
D302	MA728	DIODE	1	
D304, 05	MA728	DIODE	2	
D1002	EC20QS06	DIODE	1	
D1006, 07	MA111	DIODE	2	
D1008	1SS355	DIODE	1	
D1009	MA8200-H	DIODE	1	
D1015	EC15QS04	DIODE	1	
D1020	1SS355	DIODE	1	
D3004	1SS355	DIODE	1	
D3005	MA133	DIODE	1	
D6001, 02	MA728	DIODE	2	
D6006	MA728	DIODE	1	
D6007	1SS355	DIODE	1	
D6008	MA8056	DIODE	1	
D6011	MA132WK	DIODE	1	
D6012, 13	MA132WA	DIODE	2	
D6016	MA133	DIODE	1	
D6018	MA728	DIODE	1	
D6201	1SS355	DIODE	1	
FP301	VJS3930B006	CONNECTOR (FEMALE) 6P	1	
FP303	VJS3654B011	CONNECTOR (FEMALE) 11P	1	
FP701	VJS3319B018	CONNECTOR (FEMALE) 18P	1	
FP2001	VJS3654D007	CONNECTOR (FEMALE) 7P	1	
FP2002	VJS2958B018	CONNECTOR (FEMALE) 18P	1	
FP4001	VJS2958D009	CONNECTOR (FEMALE) 9P	1	
FP4002	VJS3930B024	CONNECTOR (FEMALE) 24P	1	
FP5001	VJS2958B013	CONNECTOR (FEMALE) 13P	1	
FP6001	VJS2958D018	CONNECTOR (FEMALE) 18P	1	
FP6002	VJS2958B006	CONNECTOR (FEMALE) 6P	1	
FP6006	VJS3930B021	CONNECTOR (FEMALE) 21P	1	
IC200	AN1358S	IC	1	
IC201	TC6186-2	IC	1	
IC202	MN31121SA	IC	1	
IC203	TC7SU04F	IC	1	
IC204	M52947FP	IC	1	
IC206	T74VHC04FS	IC	1	
IC301	F436003APBW	IC	1	
IC302	ZA4035H	IC	1	
IC303	MN1866405M9Y	IC	1	
IC304	M62366GP	IC	1	
IC305	AK6480HF	IC	1	
IC306	TA75S393F	IC	1	
IC307	TC4S584F	IC	1	
IC308	MN1166XFF	IC	1	
IC309	TC7SH32FU	IC	1	
IC310	TC7WH74FU	IC	1	
IC701, 02	TB6526F	IC	2	
IC706	NJM2115VA	IC	1	
IC711	TA75W01FU	IC	1	
IC1001	BA9706K	IC	1	
IC2001	TB6518F	IC	1	
IC2002, 03	UN224	TRANSISTOR-RESISTOR	2	
IC3001	HA118403F	IC	1	
IC4001	BA7758FS	IC	1	
IC5001	AN3355FHP	IC	1	
IC5501	MSM7470-73MS	IC	1	
IC6001	MN675556G3K	IC	1	
IC6002	S3510AEFJ	IC	1	

Ref. No.	Part No.	Part Name & Description	Pcs	Remarks
IC6003	UPD6462GS619	IC	1	
IC6004	RH5RE38AA	IC	1	
IC6005	BA6289F	IC	1	
IC6006	TA75W393FU	IC	1	
IC6007	S2900AUP	IC	1	
IC6008	TC7W04F	IC	1	
IC6009	PST9133NR	IC	1	
IC6010	BU4066BCFV	IC	1	
IC6011	XC62AP3502PR	IC	1	
L203	VLQ0426J330	COIL 33UH	1	
L210	VLQ0319K470	COIL 47UH	1	
L303	VLQ0426J5R6	COIL 5.6UH	1	
L306	VLQ0464K100	COIL 10UH	1	
L308	VLQ0426J330	COIL 33UH	1	
L310	VLQ0426J470	COIL 47UH	1	
L311	VLQ0426J100	COIL 10UH	1	
L314	VLQ0426J100	COIL 10UH	1	
L317	VLQ0780K100	COIL 10UH	1	
L703, 04	VLQ0319K100	COIL 10UH	2	
L1001	VLQ0759	COIL	1	
L1002	VLQ0760	COIL	1	
L1003	VLQ0763	COIL	1	
L1004	VLQ0319K100	COIL 10UH	1	
L1007	VLQ0770	COIL	1	
L1008	VLQ0763	COIL	1	
L1010	VLQ0319K100	COIL 10UH	1	
L1011	VLQ0319K101	COIL 10UH	1	
L1014	VLQ0319K100	COIL 10UH	1	
L1062	VLQ0762	COIL	1	
L2001	VLQ0319M1R0	COIL 1UH	1	
L3002	VLQ0319K100	COIL 10UH	1	
L3003	VLQ0163J820	COIL 82UH	1	
L4005, 06	VLQ0319K101	COIL 10UH	2	
L5001-04	VLQ0319K470	COIL 47UH	4	
L5501	VLQ0319K100	COIL 10UH	1	
L5502	VLQ0163J100	COIL 10UH	1	
L5503	VLQ0426J120	COIL 12UH	1	
L5504	VLQ0163J390	COIL 39UH	1	
L5505	VLQ0163J150	COIL 15UH	1	
L5506	VLQ0319K470	COIL 47UH	1	
L5508	VLQ0163J471	COIL 47UH	1	
L6001	VLQ0163J330	COIL 33UH	1	
LB201, 02	VLP0175	COIL	2	
LB203, 04	VLP0153	COIL	2	
LB213	VLP0154	COIL	1	
LB218, 19	VLP0154	COIL	2	
LB301	VLP0323A102	COIL	1	
LB302	VLP0175	COIL	1	
LB304, 05	VLP0146	COIL	2	
PP201	VJP3358C012	CONNECTOR (MALE) 12P	1	
PP302	VJP2962C024	CONNECTOR (MALE) 24P	1	
PP3001	VJP3358C016	CONNECTOR (MALE) 16P	1	
PST001	VJS2961C024	CONNECTOR (FEMALE) 24P	1	
Q201	2SD2216	TRANSISTOR	1	
Q301	XP4601	TRANSISTOR-TRANSISTOR	1	
Q302	2SD2216	TRANSISTOR	1	
Q303	XP4601	TRANSISTOR-TRANSISTOR	1	
Q304	XP4501	TRANSISTOR-TRANSISTOR	1	
Q305	MRN2111	TRANSISTOR-RESISTOR	1	
Q309	2SD1030	TRANSISTOR	1	
Q701	2SD601A	TRANSISTOR	1	
Q703-06	XN4404	TRANSISTOR	4	
Q1001	2SA1731-R	TRANSISTOR	1	
Q1002	2SB798	TRANSISTOR	1	
Q1003	MPL1	TRANSISTOR	1	
Q1004	2SD2210	TRANSISTOR	1	
Q1005	2SB1073	TRANSISTOR	1	
Q1009	2SD2216	TRANSISTOR	1	
Q1010	2SB1462-R	TRANSISTOR	1	
Q1062	MPL1	TRANSISTOR	1	

Ref. No.	Part No.	Part Name & Description	Pcs	Remarks	Ref. No.	Part No.	Part Name & Description	Pcs	Remarks
Q3001	XP4501	TRANSISTOR-TRANSISTOR	1		R242	ERJ3GEYJ104	M. RESISTOR CH 1/16W 100K	1	
Q3002	XP4401	TRANSISTOR	1		R243	ERJ3GEYJ102	M. RESISTOR CH 1/16W 1K	1	
Q3010	XP1501	TRANSISTOR-RESISTOR	1		R244	ERJ3GEYJ472	M. RESISTOR CH 1/16W 4.7K	1	
Q4002	2SD602-R	TRANSISTOR	1		R246	ERJ3GEYJ393	M. RESISTOR CH 1/16W 39K	1	
Q4003	2SB1219	TRANSISTOR	1		R248	ERJ3GEYJ472	M. RESISTOR CH 1/16W 4.7K	1	
Q4005	XP4501	TRANSISTOR-TRANSISTOR	1		R249	ERJ2RHD153	M. RESISTOR CH 1/16W 15K	1	
Q4006	2SD2216	TRANSISTOR	1		R250	ERJ3GEYJ123	M. RESISTOR CH 1/16W 12K	1	
Q4009	2SD2216	TRANSISTOR	1		R251	ERJ3GEYJ472	M. RESISTOR CH 1/16W 4.7K	1	
Q5001. 02	XN4504	TRANSISTOR	2		R255	ERJ3GEYJ472	M. RESISTOR CH 1/16W 4.7K	1	
Q5003	2SA812	TRANSISTOR	1		R268	ERJ3GEYJ152	M. RESISTOR CH 1/16W 1.5K	1	
Q5501	2SD2216	TRANSISTOR	1		R270	ERJ3GEYJ472	M. RESISTOR CH 1/16W 4.7K	1	
Q5502	2SB1462-R	TRANSISTOR	1		R272	ERJ3GEYJ472	M. RESISTOR CH 1/16W 4.7K	1	
Q6001. 02	2SD2216	TRANSISTOR	2		R273	ERJ3GEYJ154	M. RESISTOR CH 1/16W 150K	1	
Q6003	2SB970X	TRANSISTOR	1		R274	ERJ3GEYJ122	M. RESISTOR CH 1/16W 1.2K	1	
Q6004	2SD2216	TRANSISTOR	1		R275	ERJ3GEYJ105	M. RESISTOR CH 1/16W 1M	1	
Q6005	XP6501	TRANSISTOR	1		R277	ERJ3GEYJ272	M. RESISTOR CH 1/16W 2.7K	1	
Q6201	2SB1462-R	TRANSISTOR	1		R285	ERJ3GEYJ221	M. RESISTOR CH 1/16W 220	1	
QR201	UN5212	TRANSISTOR-RESISTOR	1		R301	ERJ3GEYJ271	M. RESISTOR CH 1/16W 270	1	
QR301	NRN1103	TRANSISTOR-RESISTOR	1		R302	ERJ3GEYJ561	M. RESISTOR CH 1/16W 56K	1	
QR302	NRN1102	TRANSISTOR-RESISTOR	1		R303	ERJ3GEYJ152	M. RESISTOR CH 1/16W 1.5K	1	
QR303	XP1213	TRANSISTOR-RESISTOR	1		R304	ERJ3GEYJ102	M. RESISTOR CH 1/16W 1K	1	
QR305	XP4115	TRANSISTOR-RESISTOR	1		R305	ERJ3GEYJ122	M. RESISTOR CH 1/16W 1.2K	1	
QR701	NRN1102	TRANSISTOR-RESISTOR	1		R306	ERJ3GEYJ223	M. RESISTOR CH 1/16W 22K	1	
QR1001	NRN2102	TRANSISTOR-RESISTOR	1		R307	ERJ3GEYJ683	M. RESISTOR CH 1/16W 68K	1	
QR1005	UN9217	TRANSISTOR-RESISTOR	1		R308	ERJ3GEYJ563	M. RESISTOR CH 1/16W 56K	1	
QR1012	UN9217	TRANSISTOR-RESISTOR	1		R310	ERJ3GEYJ562	M. RESISTOR CH 1/16W 5.6K	1	
QR1061	NRN2111	TRANSISTOR-RESISTOR	1		R311	ERJ3GEYJ103	M. RESISTOR CH 1/16W 10K	1	
QR2002	NRN1111	TRANSISTOR-RESISTOR	1		R312	ERJ3GEYJ823	M. RESISTOR CH 1/16W 82K	1	
QR3001	NRN1104	TRANSISTOR-RESISTOR	1		R313	ERJ3GEYJ472	M. RESISTOR CH 1/16W 4.7K	1	
QR4001	NRN1103	TRANSISTOR-RESISTOR	1		R314	ERJ3GEYJ473	M. RESISTOR CH 1/16W 47K	1	
QR4002	NRN2103	TRANSISTOR-RESISTOR	1		R315	ERJ3GEYJ472	M. RESISTOR CH 1/16W 4.7K	1	
QR5501	NRN1104	TRANSISTOR-RESISTOR	1		R316	ERJ3GEYJ223	M. RESISTOR CH 1/16W 22K	1	
QR5502	NRN1103	TRANSISTOR-RESISTOR	1		R317	ERJ3GEYJ473	M. RESISTOR CH 1/16W 47K	1	
QR6001	NRN2104	TRANSISTOR-RESISTOR	1		R318	ERJ3GEYJ102	M. RESISTOR CH 1/16W 1K	1	
QR6002	NRN2111	TRANSISTOR-RESISTOR	1		R319, 20	ERJ3GEYJ103	M. RESISTOR CH 1/16W 10K	2	
QR6003	NRN2103	TRANSISTOR-RESISTOR	1		R321	ERJ3GEYJ911	M. RESISTOR CH 1/16W 710K	1	
QR6004	XP4115	TRANSISTOR-RESISTOR	1		R323, 24	ERJ3GEYJ821	M. RESISTOR CH 1/16W 82K	2	
QR6005	UN9216	TRANSISTOR-RESISTOR	1		R325	ERJ3GEYJ102	M. RESISTOR CH 1/16W 1K	1	
QR6006	NRN1104	TRANSISTOR-RESISTOR	1		R326	ERJ3GEYJ222	M. RESISTOR CH 1/16W 2.2K	1	
QR6007	NRN1102	TRANSISTOR-RESISTOR	1		R327	ERJ3GEYJ911	M. RESISTOR CH 1/16W 710K	1	
QR6008	UN9110	TRANSISTOR-RESISTOR	1		R330	ERJ3GEYJ333	M. RESISTOR CH 1/16W 33K	1	
QR6010	XP1213	TRANSISTOR-RESISTOR	1		R331	ERJ3GEYJ104	M. RESISTOR CH 1/16W 100K	1	
QR6012	NRN1103	TRANSISTOR-RESISTOR	1		R332	ERJ3GEYJ335	M. RESISTOR CH 1/16W 3.3K	1	
QR6014	UN9210	TRANSISTOR-RESISTOR	1		R333, 34	ERJ3GEYJ472	M. RESISTOR CH 1/16W 4.7K	2	
QR6015	NRN1111	TRANSISTOR-RESISTOR	1		R335	ERJ3GEYJ473	M. RESISTOR CH 1/16W 47K	1	
QR6050	XP1211	TRANSISTOR-RESISTOR	1		R336	ERJ3GEYJ563	M. RESISTOR CH 1/16W 56K	1	
R201	ERJ3GEYJ105	M. RESISTOR CH 1/16W 1M	1		R337	ERJ3GEYJ103	M. RESISTOR CH 1/16W 10K	1	
R202	ERJ3GEYJ221	M. RESISTOR CH 1/16W 220	1		R338	ERJ3GEYJ153	M. RESISTOR CH 1/16W 15K	1	
R203	ERJ3GEYJ271	M. RESISTOR CH 1/16W 270	1		R339	ERJ3GEYJ152	M. RESISTOR CH 1/16W 1.5K	1	
R204	ERJ3GEYJ102	M. RESISTOR CH 1/16W 1K	1		R340	ERJ3GEYJ102	M. RESISTOR CH 1/16W 1K	1	
R205	ERJ3GEYJ101	M. RESISTOR CH 1/16W 100	1		R341	ERJ3GEYJ222	M. RESISTOR CH 1/16W 2.2K	1	
R206	ERJ3GEYOR00	M. RESISTOR CH 1/16W 0	1		R342, 43	ERJ3GEYJ105	M. RESISTOR CH 1/16W 1M	2	
R207	ERJ3GEYJ221	M. RESISTOR CH 1/16W 220	1		R344	ERJ3GEYJ331	M. RESISTOR CH 1/16W 33K	1	
R208	ERJ3GEYJ104	M. RESISTOR CH 1/16W 100K	1		R345	ERJ3GEYJ102	M. RESISTOR CH 1/16W 1K	1	
R209	ERJ3GEYJ102	M. RESISTOR CH 1/16W 1K	1		R346	ERJ3GEYJ911	M. RESISTOR CH 1/16W 710K	1	
R210	ERJ3GEYOR00	M. RESISTOR CH 1/16W 0	1		R347, 48	ERJ3GEYJ331	M. RESISTOR CH 1/16W 33K	2	
R212	ERJ3GEYJ222	M. RESISTOR CH 1/16W 2.2K	1		R349	ERJ3GEYJ273	M. RESISTOR CH 1/16W 27K	1	
R214	ERJ3GEYJ222	M. RESISTOR CH 1/16W 2.2K	1		R350	ERJ3GEYJ113	M. RESISTOR CH 1/16W 11K	1	
R215, 16	ERJ3GEYJ102	M. RESISTOR CH 1/16W 1K	2		R351	ERJ3GEYJ183	M. RESISTOR CH 1/16W 18K	1	
R217	ERJ3GEYJ104	M. RESISTOR CH 1/16W 100K	1		R352	ERJ3GEYJ101	M. RESISTOR CH 1/16W 100	1	
R220-22	ERJ3GEYJ104	M. RESISTOR CH 1/16W 100K	3		R353	ERJ3GEYJ333	M. RESISTOR CH 1/16W 33K	1	
R223	ERJ3GEYOR00	M. RESISTOR CH 1/16W 0	1		R354-57	ERJ3GEYOR00	M. RESISTOR CH 1/16W 0	4	
R224	ERJ3GEYJ822	M. RESISTOR CH 1/16W 8.2K	1		R358	ERJ3GEYJ271	M. RESISTOR CH 1/16W 270	1	
R225	ERJ3GEYJ104	M. RESISTOR CH 1/16W 100K	1		R359	ERJ3GEYJ563	M. RESISTOR CH 1/16W 56K	1	
R226	ERJ3GEYJ221	M. RESISTOR CH 1/16W 220	1		R360	ERJ3GEYJ333	M. RESISTOR CH 1/16W 33K	1	
R228	ERJ3GEYJ103	M. RESISTOR CH 1/16W 10K	1		R361-63	ERJ3GEYJ101	M. RESISTOR CH 1/16W 100	3	
R229	ERJ2RHD913	M. RESISTOR CH 1/16W 91K	1		R364, 65	ERJ3GEYJ102	M. RESISTOR CH 1/16W 1K	2	
R233	ERJ3GEYJ221	M. RESISTOR CH 1/16W 220	1		R701, 02	ERJ3GEYJ3R3	M. RESISTOR CH 1/16W 3.3	2	
R234, 35	ERJ3GEYJ103	M. RESISTOR CH 1/16W 10K	2		R703	ERJ3GEYJ101	M. RESISTOR CH 1/16W 100	1	
R236	ERJ3GEYJ682	M. RESISTOR CH 1/16W 6.8K	1		R705, 06	ERJ3GEYJ2R2	M. RESISTOR CH 1/16W 2.2	2	
R237	ERJ3GEYJ103	M. RESISTOR CH 1/16W 10K	1		R707	ERJ3GEYJ101	M. RESISTOR CH 1/16W 100	1	
R238, 39	ERJ3GEYJ473	M. RESISTOR CH 1/16W 47K	2		R708, 09	ERJ3GEYJ473	M. RESISTOR CH 1/16W 47K	2	
R241	ERJ3GEYJ393	M. RESISTOR CH 1/16W 39K	1		R716	ERJ3GEYJ472	M. RESISTOR CH 1/16W 4.7K	1	
					R718	ERJ3GEYJ223	M. RESISTOR CH 1/16W 22K	1	
					R722	ERJ3GEYJ104	M. RESISTOR CH 1/16W 100K	1	

Ref. No.	Part No.	Part Name & Description	Pcs	Remarks
R723	ERJ3GEYJ103	M. RESISTOR CH 1/16W 10K	1	
R726	ERJ3GEYG471	M. RESISTOR CH 1/16W 470	1	
R727	ERJ3GEYJ183	M. RESISTOR CH 1/16W 18K	1	
R728	ERJ3GEYG682	M. RESISTOR CH 1/16W 6.8K	1	
R729	ERJ3GEYJ153	M. RESISTOR CH 1/16W 15K	1	
R730	ERJ3GEYJ103	M. RESISTOR CH 1/16W 10K	1	
R732	ERJ3GEYJ333	M. RESISTOR CH 1/16W 33K	1	
R733	ERJ3GEYJ684	M. RESISTOR CH 1/16W 680K	1	
R734, 35	ERJ3GEYJ123	M. RESISTOR CH 1/16W 12K	2	
R736	ERJ3GEYJ474	M. RESISTOR CH 1/16W 470K	1	
R737	ERJ3GEYJ221	M. RESISTOR CH 1/16W 220	1	
R738	ERJ3GEYJ124	M. RESISTOR CH 1/16W 120K	1	
R740	ERJ3GEYJ333	M. RESISTOR CH 1/16W 33K	1	
R741	ERJ3GEYJ684	M. RESISTOR CH 1/16W 680K	1	
R761	ERJ3GEYJ272	M. RESISTOR CH 1/16W 2.7K	1	
R776	ERJ3GEYOR00	M. RESISTOR CH 1/16W 0	1	
R1001	ERJ6RBD822	M. RESISTOR CH 1/10W 8.2K	1	
R1002	ERJ6RBD272	M. RESISTOR CH 1/10W 2.7K	1	
R1003	ERJ3GEYG102	M. RESISTOR CH 1/16W 1K	1	
R1004	ERJ3GEYJ391	M. RESISTOR CH 1/16W 390	1	
R1005	ERJ6RBD472	M. RESISTOR CH 1/10W 4.7K	1	
R1006	ERJ6RBD272	M. RESISTOR CH 1/10W 2.7K	1	
R1007	ERJ8GEYJ330	M. RESISTOR CH 1/8W 33	1	
R1008	ERJ3RBD223	M. RESISTOR CH 1/16W 22K	1	
R1009	ERJ3RBD152	M. RESISTOR CH 1/16W 1.5K	1	
R1012	ERJ6RHD1872	M. RESISTOR CH 1/10W 18.7K	1	
R1013	ERJ6RBD473	M. RESISTOR CH 1/10W 47K	1	
R1014, 15	ERJ6RBD182	M. RESISTOR CH 1/10W 1.8K	2	
R1016	ERJ3RBD153	M. RESISTOR CH 1/16W 15K	1	
R1017	ERJ6GEYG102	M. RESISTOR CH 1/10W 1K	1	
R1018	ERJ3GEYJ151	M. RESISTOR CH 1/16W 150	1	
R1019	ERJ6GEYG102	M. RESISTOR CH 1/10W 1K	1	
R1020	ERJ3GEYJ151	M. RESISTOR CH 1/16W 150	1	
R1021	ERJ3GEYJ330	M. RESISTOR CH 1/16W 33	1	
R1022	ERJ3GEYJ150	M. RESISTOR CH 1/16W 15	1	
R1023	ERJ3GEYJ182	M. RESISTOR CH 1/16W 1.8K	1	
R1024	ERJ3GEYJ470	M. RESISTOR CH 1/16W 47	1	
R1025	ERJ6GEYG102	M. RESISTOR CH 1/10W 1K	1	
R1026	ERJ3GEYG102	M. RESISTOR CH 1/16W 1K	1	
R1027	ERJ3GEYJ151	M. RESISTOR CH 1/16W 150	1	
R1035	ERJ3GEYJ470	M. RESISTOR CH 1/16W 47	1	
R1038	ERJ3RED620	M. RESISTOR CH 1/16W 62	1	
R1039	ERJ3RBD241	M. RESISTOR CH 1/16W 240	1	
R1040	ERJ3RBD121	M. RESISTOR CH 1/16W 120	1	
R1051	ERJ3RBD273	M. RESISTOR CH 1/16W 27K	1	
R1052	ERJ3RBD473	M. RESISTOR CH 1/16W 47K	1	
R1057	ERJ3GEYJ182	M. RESISTOR CH 1/16W 1.8K	1	
R1060	ERJ3GEYJ392	M. RESISTOR CH 1/16W 3.9K	1	
R1061	ERJ3GEYJ473	M. RESISTOR CH 1/16W 47K	1	
R1063	ERJ3GEYJ103	M. RESISTOR CH 1/16W 10K	1	
R1065	ERJ3GEYJ122	M. RESISTOR CH 1/16W 1.2K	1	
R1066	ERJ3GEYJ392	M. RESISTOR CH 1/16W 3.9K	1	
R1067	ERJ3GEYJ223	M. RESISTOR CH 1/16W 22K	1	
R1068	ERJ3GEYJ392	M. RESISTOR CH 1/16W 3.9K	1	
R1069	ERJ3GEYJ104	M. RESISTOR CH 1/16W 100K	1	
R1071	ERJ3GEYG102	M. RESISTOR CH 1/16W 1K	1	
R1072	ERJ3GEYJ104	M. RESISTOR CH 1/16W 100K	1	
R1073	ERJ3GEYJ101	M. RESISTOR CH 1/16W 100	1	
R1080	ERJ8GEYOR00	M. RESISTOR CH 1/8W 0	1	
R1085, 86	ERJ3GEYG102	M. RESISTOR CH 1/16W 1K	2	
R1091	ERJ6GEYG181	M. RESISTOR CH 1/10W 180	1	
R2001	ERJ3GEYG102	M. RESISTOR CH 1/16W 1K	1	
R2002	ERJ3GEYJ224	M. RESISTOR CH 1/16W 220K	1	
R2003	ERJ3GEYJ222	M. RESISTOR CH 1/16W 2.2K	1	
R2004	ERJ3GEYJ154	M. RESISTOR CH 1/16W 150K	1	
R2005	ERJ3GEYJ392	M. RESISTOR CH 1/16W 3.9K	1	
R2006	ERJ3GEYJ474	M. RESISTOR CH 1/16W 470K	1	
R2007	ERJ8GEYJR47	M. RESISTOR CH 1/8W 0.47	1	
R2008	ERJ8GEYJR33	M. RESISTOR CH 1/8W 0.33	1	
R2009	ERJ3GEYJ561	M. RESISTOR CH 1/16W 560	1	
R2010	ERJ3GEYJ103	M. RESISTOR CH 1/16W 10K	1	
R2011	ERJ6GEYOR00	M. RESISTOR CH 1/10W 0	1	
R2012	ERJ3GEYJ684	M. RESISTOR CH 1/16W 680K	1	
R2015	ERJ3GEYJ473	M. RESISTOR CH 1/16W 47K	1	
R2016	ERJ3GEYJ222	M. RESISTOR CH 1/16W 2.2K	1	

Ref. No.	Part No.	Part Name & Description	Pcs	Remarks
R2017	ERJ3GEYG102	M. RESISTOR CH 1/16W 1K	1	
R2018	ERJ3GEYG472	M. RESISTOR CH 1/16W 4.7K	1	
R2019, 20	ERJ3GEYG471	M. RESISTOR CH 1/16W 470	2	
R2021	ERJ6GEYG101	M. RESISTOR CH 1/10W 100	1	
R2022	ERJ8GEYJR33	M. RESISTOR CH 1/8W 0.33	1	
R2024	ERJ3GEYJ101	M. RESISTOR CH 1/16W 100	1	
R2040-42	ERJ3GEYJ331	M. RESISTOR CH 1/16W 330	3	
R3001	ERJ2RHD122	M. RESISTOR CH 1/16W 1.2K	1	
R3004	ERJ2RHD122	M. RESISTOR CH 1/16W 1.2K	1	
R3005	ERJ3GEYJ273	M. RESISTOR CH 1/16W 27K	1	
R3006	ERJ2RHD682	M. RESISTOR CH 1/16W 6.8K	1	
R3007	ERJ2RHD222	M. RESISTOR CH 1/16W 2.2K	1	
R3008	ERJ3GEYOR00	M. RESISTOR CH 1/16W 0	1	
R3009	ERJ3GEYJ393	M. RESISTOR CH 1/16W 39K	1	
R3010	ERJ3GEYJ273	M. RESISTOR CH 1/16W 27K	1	
R3013	ERJ2RHD113	M. RESISTOR CH 1/16W 11K	1	
R3015	ERJ2RHD222	M. RESISTOR CH 1/16W 2.2K	1	
R3018	ERJ3GEYJ225	M. RESISTOR CH 1/16W 2.2M	1	
R3020	ERJ3GEYJ223	M. RESISTOR CH 1/16W 22K	1	
R3022	ERJ3GEYJ223	M. RESISTOR CH 1/16W 22K	1	
R3023	ERJ3GEYJ273	M. RESISTOR CH 1/16W 27K	1	
R3025	ERJ3GEYJ123	M. RESISTOR CH 1/16W 12K	1	
R3026	ERJ3GEYJ393	M. RESISTOR CH 1/16W 39K	1	
R3034	ERJ3GEYG102	M. RESISTOR CH 1/16W 1K	1	
R3057	ERJ3GEYJ103	M. RESISTOR CH 1/16W 10K	1	
R3058	ERJ3GEYJ182	M. RESISTOR CH 1/16W 1.8K	1	
R3059	ERJ3GEYJ821	M. RESISTOR CH 1/16W 820	1	
R3060	ERJ2RKD620	M. RESISTOR CH 1/16W 62	1	
R4001	ERJ3GEYJ100	M. RESISTOR CH 1/16W 10	1	
R4002	ERJ3GEYJ105	M. RESISTOR CH 1/16W 1M	1	
R4003	ERJ3GEYJ331	M. RESISTOR CH 1/16W 330	1	
R4004	ERJ3GEYJ222	M. RESISTOR CH 1/16W 2.2K	1	
R4006	ERJ3GEYJ561	M. RESISTOR CH 1/16W 560	1	
R4007	ERJ3GEYJ223	M. RESISTOR CH 1/16W 22K	1	
R4008	ERJ3GEYJ183	M. RESISTOR CH 1/16W 18K	1	
R4009	ERJ3GEYJ681	M. RESISTOR CH 1/16W 680	1	
R4010	ERJ3GEYJ183	M. RESISTOR CH 1/16W 18K	1	
R4011	ERJ3GEYJ223	M. RESISTOR CH 1/16W 22K	1	
R4012	ERJ3GEYG472	M. RESISTOR CH 1/16W 4.7K	1	
R4013	ERJ3GEYJ680	M. RESISTOR CH 1/16W 68	1	
R4014	ERJ3RBD153	M. RESISTOR CH 1/16W 15K	1	
R4016, 17	ERJ3GEYG472	M. RESISTOR CH 1/16W 4.7K	2	
R4018	ERJ3GEYJ333	M. RESISTOR CH 1/16W 33K	1	
R4019	ERJ3GEYJ334	M. RESISTOR CH 1/16W 330K	1	
R4020	ERJ2RHD431	M. RESISTOR CH 1/16W 430	1	
R4021	ERJ2RHD562	M. RESISTOR CH 1/16W 5.6K	1	
R4022	ERJ3GEYJ392	M. RESISTOR CH 1/16W 3.9K	1	
R4023	ERJ3GEYJ183	M. RESISTOR CH 1/16W 18K	1	
R4025	ERJ3GEYJ222	M. RESISTOR CH 1/16W 2.2K	1	
R4026	ERJ3GEYJ181	M. RESISTOR CH 1/16W 180	1	
R4027, 28	ERJ3GEYJ103	M. RESISTOR CH 1/16W 10K	2	
R4029	ERJ3GEYJ562	M. RESISTOR CH 1/16W 5.6K	1	
R4030, 31	ERJ3GEYJ183	M. RESISTOR CH 1/16W 18K	2	
R4032	ERJ2RHD272	M. RESISTOR CH 1/16W 2.7K	1	
R4033	ERJ2RHD152	M. RESISTOR CH 1/16W 1.5K	1	
R4034, 35	ERJ3GEYJ223	M. RESISTOR CH 1/16W 22K	2	
R4036, 37	ERJ3GEYJ222	M. RESISTOR CH 1/16W 2.2K	2	
R4038	ERJ3GEYJ680	M. RESISTOR CH 1/16W 68	1	
R4040	ERJ3GEYG102	M. RESISTOR CH 1/16W 1K	1	
R4042	ERJ3GEYJ473	M. RESISTOR CH 1/16W 47K	1	
R4048	ERJ3GEYJ392	M. RESISTOR CH 1/16W 3.9K	1	
R4049	ERJ3GEYJ101	M. RESISTOR CH 1/16W 100	1	
R4091	ERJ3GEYJ473	M. RESISTOR CH 1/16W 47K	1	
R4092	ERJ3GEYJ334	M. RESISTOR CH 1/16W 330K	1	
R4093	ERJ3GEYJ562	M. RESISTOR CH 1/16W 5.6K	1	
R5001	ERJ3GEYJ100	M. RESISTOR CH 1/16W 10	1	
R5002, 03	ERJ3GEYJ680	M. RESISTOR CH 1/16W 68	2	
R5004	ERJ3GEYG332	M. RESISTOR CH 1/16W 3.3K	1	
R5005	ERJ3GEYG113	M. RESISTOR CH 1/16W 11K	1	
R5006	ERJ3GEYG102	M. RESISTOR CH 1/16W 1K	1	
R5007	ERJ3GEYJ561	M. RESISTOR CH 1/16W 560	1	
R5008	ERJ6GEYJ477	M. RESISTOR CH 1/10W 4.7	1	
R5009	ERJ3GEYG102	M. RESISTOR CH 1/16W 1K	1	
R5500	ERJ3GEYG102	M. RESISTOR CH 1/16W 1K	1	
R5501	ERJ3GEYJ563	M. RESISTOR CH 1/16W 56K	1	

Ref. No.	Part No.	Part Name & Description	Pcs	Remarks
R5504	ERJ3GEYJ273	M. RESISTOR CH 1/16W 27K	1	
R5505	ERJ3GEYJ222	M. RESISTOR CH 1/16W 2.2K	1	
R5506	ERJ3GEYG102	M. RESISTOR CH 1/16W 1K	1	
R5508	ERJ2RHD102	M. RESISTOR CH 1/16W 1K	1	
R5510	ERJ2RHD102	M. RESISTOR CH 1/16W 1K	1	
R5513	ERJ3GEYJ225	M. RESISTOR CH 1/16W 2.2M	1	
R5514	ERJ3GEYG102	M. RESISTOR CH 1/16W 1K	1	
R5516	ERJ3GEYJ103	M. RESISTOR CH 1/16W 10K	1	
R5517	ERJ3GEYJ222	M. RESISTOR CH 1/16W 2.2K	1	
R5523	ERJ3GEYG471	M. RESISTOR CH 1/16W 470	1	
R6001	ERJ3GEYJ821	M. RESISTOR CH 1/16W 820	1	
R6002	ERJ3GEYJ473	M. RESISTOR CH 1/16W 47K	1	
R6003	ERJ3GEYJ274	M. RESISTOR CH 1/16W 270K	1	
R6004	ERJ3GEYJ273	M. RESISTOR CH 1/16W 27K	1	
R6005	ERJ3GEYJ223	M. RESISTOR CH 1/16W 22K	1	
R6006	ERJ3GEYG102	M. RESISTOR CH 1/16W 1K	1	
R6007	ERJ3GEYJ562	M. RESISTOR CH 1/16W 5.6K	1	
R6008	ERJ3GEYJ474	M. RESISTOR CH 1/16W 470K	1	
R6009	ERJ3GEYJ473	M. RESISTOR CH 1/16W 47K	1	
R6010	ERJ3GEYJ104	M. RESISTOR CH 1/16W 100K	1	
R6011-13	ERJ3GEYG102	M. RESISTOR CH 1/16W 1K	3	
R6014	ERJ3GEYJ105	M. RESISTOR CH 1/16W 1M	1	
R6015	ERJ3GEYJ103	M. RESISTOR CH 1/16W 10K	1	
R6016	ERJ3GEYG472	M. RESISTOR CH 1/16W 4.7K	1	
R6017	ERJ3GEYG102	M. RESISTOR CH 1/16W 1K	1	
R6018, 19	ERJ3GEYJ474	M. RESISTOR CH 1/16W 470K	2	
R6020	ERJ3GEYG102	M. RESISTOR CH 1/16W 1K	1	
R6021	ERJ3GEYJ120	M. RESISTOR CH 1/8W 12	1	
R6022	ERJ3GEYJ223	M. RESISTOR CH 1/16W 22K	1	
R6023	ERJ3GEYOR00	M. RESISTOR CH 1/16W 0	1	
R6024	ERJ3GEYJ474	M. RESISTOR CH 1/16W 470K	1	
R6025	ERJ3GEYG102	M. RESISTOR CH 1/16W 1K	1	
R6026	ERJ3GEYOR00	M. RESISTOR CH 1/16W 0	1	
R6027	ERJ68EY221	M. RESISTOR CH 1/10W 220	1	
R6028	ERJ3GEYG102	M. RESISTOR CH 1/16W 1K	1	
R6030	ERJ3GEYJ222	M. RESISTOR CH 1/16W 2.2K	1	
R6031	ERJ3GEYG472	M. RESISTOR CH 1/16W 4.7K	1	
R6032	ERJ3GEYJ223	M. RESISTOR CH 1/16W 22K	1	
R6037	ERJ3GEYJ222	M. RESISTOR CH 1/16W 2.2K	1	
R6038	ERJ3GEYG332	M. RESISTOR CH 1/16W 3.3K	1	
R6039	ERJ8GEYJ2R2	M. RESISTOR CH 1/8W 2.2	1	
R6040	ERJ3GEYJ473	M. RESISTOR CH 1/16W 47K	1	
R6042	ERJ3GEYJ123	M. RESISTOR CH 1/16W 12K	1	
R6043	ERJ3GEYJ104	M. RESISTOR CH 1/16W 100K	1	
R6044	ERJ3RBD273	M. RESISTOR CH 1/16W 27K	1	
R6045	ERJ3RBD393	M. RESISTOR CH 1/16W 39K	1	
R6048	ERJ3GEYJ473	M. RESISTOR CH 1/16W 47K	1	
R6055	ERJ3GEYJ104	M. RESISTOR CH 1/16W 100K	1	
R6056	ERJ3GEYJ683	M. RESISTOR CH 1/16W 68K	1	
R6058	ERJ3GEYJ683	M. RESISTOR CH 1/16W 68K	1	
R6059	ERJ3GEYG102	M. RESISTOR CH 1/16W 1K	1	
R6065	ERJ3GEYJ333	M. RESISTOR CH 1/16W 33K	1	
R6066	ERJ3GEYJ683	M. RESISTOR CH 1/16W 68K	1	
R6067	ERJ3GEYJ124	M. RESISTOR CH 1/16W 120K	1	
R6068	ERJ3GEYJ474	M. RESISTOR CH 1/16W 470K	1	
R6069	ERJ3GEYJ334	M. RESISTOR CH 1/16W 330K	1	
R6071	ERJ3GEYJ222	M. RESISTOR CH 1/16W 2.2K	1	
R6072	ERJ3GEYJ683	M. RESISTOR CH 1/16W 68K	1	
R6073	ERJ3GEYJ222	M. RESISTOR CH 1/16W 2.2K	1	
R6074	ERJ3GEYJ103	M. RESISTOR CH 1/16W 10K	1	
R6080	ERJ3GEYJ473	M. RESISTOR CH 1/16W 47K	1	
R6087	ERJ3GEYJ683	M. RESISTOR CH 1/16W 68K	1	
R6088	ERJ3GEYG102	M. RESISTOR CH 1/16W 1K	1	
R6089	ERJ3GEYJ122	M. RESISTOR CH 1/16W 1.2K	1	
R6091	ERJ3GEYJ121	M. RESISTOR CH 1/16W 120	1	
R6092	ERJ3GEYJ393	M. RESISTOR CH 1/16W 39K	1	
R6093	ERJ3GEYG102	M. RESISTOR CH 1/16W 1K	1	
R6095	ERJ3GEYJ151	M. RESISTOR CH 1/16W 150	1	
R6098	ERJ3GEYJ223	M. RESISTOR CH 1/16W 22K	1	
R6099	ERJ3GEYJ393	M. RESISTOR CH 1/16W 39K	1	
R6102	ERJ3GEYOR00	M. RESISTOR CH 1/16W 0	1	
R6106	ERJ3GEYJ104	M. RESISTOR CH 1/16W 100K	1	
R6108, 09	ERJ3GEYJ683	M. RESISTOR CH 1/16W 68K	2	
R6112	ERJ3GEYOR00	M. RESISTOR CH 1/16W 0	1	
R6115	ERJ3GEYG102	M. RESISTOR CH 1/16W 1K	1	

Ref. No.	Part No.	Part Name & Description	Pcs	Remarks
R6116	ERJ3GEYOR00	M. RESISTOR CH 1/16W 0	1	
R6144	ERJ3GEY6102	M. RESISTOR CH 1/16W 1K	1	
R6145	ERJ3GEYJ392	M. RESISTOR CH 1/16W 3.9K	1	
R6154	ERJ3GEYJ104	M. RESISTOR CH 1/16W 100K	1	
R6202	ERJ8GEYJ2R2	M. RESISTOR CH 1/8W 2.2	1	
R6203	ERJ3GEYJ101	M. RESISTOR CH 1/16W 100	1	
R6204	ERJ3GEYJ103	M. RESISTOR CH 1/16W 10K	1	
R6205	ERJ3GEYJ222	M. RESISTOR CH 1/16W 2.2K	1	
R6206-08	ERJ3GEYJ104	M. RESISTOR CH 1/16W 100K	3	
R6210	ERJ3GEYJ224	M. RESISTOR CH 1/16W 220K	1	
R6211	ERJ3GEYJ474	M. RESISTOR CH 1/16W 470K	1	
RA301, 02	EXBV8V472J	RESISTOR-RESISTOR	2	
RA304, 05	EXBV8V472J	RESISTOR-RESISTOR	2	
RA306	EXBV8V473J	RESISTOR-RESISTOR	1	
RA308	EXBV4V473J	RESISTOR-RESISTOR	1	
RA311-13	EXBV8V473J	RESISTOR-RESISTOR	3	
RA314	EXBV8V472J	RESISTOR-RESISTOR	1	
RA701	EXBV4V103J	RESISTOR-RESISTOR	1	
RA6001	EXBV8V102J	RESISTOR-RESISTOR	1	
RA6002	EXBV8V683J	RESISTOR-RESISTOR	1	
RA6003, 04	EXBV8V102J	RESISTOR-RESISTOR	2	
RA6005	EXBV4V102J	RESISTOR-RESISTOR	1	
RA6006	EXBV8V683J	RESISTOR-RESISTOR	1	
RA6007	EXBV8V102J	RESISTOR-RESISTOR	1	
RA6008	EXBV8V683J	RESISTOR-RESISTOR	1	
RA6009	EXBV4V272J	RESISTOR-RESISTOR	1	
RA6010	EXBV4V102J	RESISTOR-RESISTOR	1	
RA6011	EXBV4V104J	RESISTOR-RESISTOR	1	
RA6012	EXBV4V223J	RESISTOR-RESISTOR	1	
RA6013	EXBV4V101J	RESISTOR-RESISTOR	1	
RA6014	EXBV4V332J	RESISTOR-RESISTOR	1	
RA6015	EXBV4V103J	RESISTOR-RESISTOR	1	
RA6016	EXBV4V473J	RESISTOR-RESISTOR	1	
T1001	ELL04T061R	CHOKE COIL	1	
T1002	VTP0357	CRYSTAL OSCILLATOR	1	
T4001	E1Q6QB008	TRANSFORMER	1	
VC201	ECRJA020E11	TRIMMER 2P	1	
W203	ERJ3GEYOR00	M. RESISTOR CH 1/16W 0	1	
W205	ERJ3GEYOR00	M. RESISTOR CH 1/16W 0	1	
W301	ERJ3GEYOR00	M. RESISTOR CH 1/16W 0	1	
W303, 04	ERJ3GEYOR00	M. RESISTOR CH 1/16W 0	2	
W307	ERJ3GEYOR00	M. RESISTOR CH 1/16W 0	1	
W701	ERJ3GEYOR00	M. RESISTOR CH 1/16W 0	1	
X201	VSX0880	CRYSTAL OSCILLATOR	1	
X301	VSX0806	CRYSTAL OSCILLATOR	1	
X5501	VSX0794	CRYSTAL OSCILLATOR	1	
X6001	VSX0654	CRYSTAL OSCILLATOR	1	
X6003	VSX0601	CRYSTAL OSCILLATOR	1	
		MISCELLANEOUS		
	VSC4419	POWER SHIELD COVER (TOP)	1	
	VSC4420	POWER SHIELD COVER (BOT)	1	
	VSC4582	CAMERA SHIELD COVER (TOP)	1	
	VEP28227C	E V F (A) C.B.A		(RTL)
C801	ECEV1CA470FP	E. CAPACITOR CH 16V 47U	1	
C802	ECUX1C104ZV	C. CAPACITOR CH 16V 0.1U	1	
C803	ECYX1H821JCV	C. CAPACITOR CH 50V 820P	1	
C804	ECUX1C473KBV	C. CAPACITOR CH 16V 0.047U	1	
C805	ECST0JY106Z	T. CAPACITOR CH 6.3V 10U	1	
C806	ECUX1H332KBV	C. CAPACITOR CH 50V 3300P	1	
C810	ECEV1CA470FP	E. CAPACITOR CH 16V 47U	1	
C811	ECUM1G105MBW	C. CAPACITOR CH 16V 1U	1	
C812	ECEV1CA100	E. CAPACITOR CH 16V 10U	1	
C813	ECUX1C104ZV	C. CAPACITOR CH 16V 0.1U	1	
C814	ECEV1CA100	E. CAPACITOR CH 16V 10U	1	
C820-25	ECUX1H103ZV	C. CAPACITOR CH 50V 0.01U	6	
C827-33	ECUX1H103ZV	C. CAPACITOR CH 50V 0.01U	7	

Ref. No.	Part No.	Part Name & Description	Pcs	Remarks
G835	ECUM1G105MBM	G. CAPACITOR CH 16V 1U	1	
G836	ECSTOJY335Z	T. CAPACITOR CH 6.3V 3.3U	1	
G837	ECUX1H332KBV	G. CAPACITOR CH 50V 3300P	1	
G838	ECUX1H100CGV	G. CAPACITOR CH 50V 10P	1	
G839	ECUX1H221JCV	G. CAPACITOR CH 50V 220P	1	
G840	ECUX1H270JCV	G. CAPACITOR CH 50V 27P	1	
G841	ECUX1H103ZV	G. CAPACITOR CH 50V 0.01U	1	
G842	ECUX1H150JCV	G. CAPACITOR CH 50V 15P	1	
G843	ECUM1G105MBM	G. CAPACITOR CH 16V 1U	1	
G844	ECSTOJX156Z	T. CAPACITOR CH 6.3V 15U	1	
G845	ECUX1G104ZV	G. CAPACITOR CH 16V 0.1U	1	
G846-48	EGST1G475Z	T. CAPACITOR CH 16V 4.7U	3	
G849	ECUX1G104ZV	G. CAPACITOR CH 16V 0.1U	1	
G850	EGEV1CA470FP	E. CAPACITOR CH 16V 47U	1	
G851	ECSTOJY106Z	T. CAPACITOR CH 6.3V 10U	1	
G852	ECUX1G104ZV	G. CAPACITOR CH 16V 0.1U	1	
G853	ECUM1G105ZFN	G. CAPACITOR CH 16V 1U	1	
G879	ECUM1G105MBM	G. CAPACITOR CH 16V 1U	1	
G880-82	EGST1G475Z	T. CAPACITOR CH 16V 4.7U	3	
G883-85	ECUX1H102KBV	G. CAPACITOR CH 50V 1000P	3	
G892	ECUM1G105ZFN	G. CAPACITOR CH 16V 1U	1	
G1603	ECEV1CA220	E. CAPACITOR CH 16V 22U	1	
D801, 02	1SS355	DIODE	2	
D804	MA338	DIODE	1	
D1601	MA8130W	DIODE	1	
D1603	MA8130W	DIODE	1	
FP801	VJS3319B022	CONNECTOR (FEMALE)	22P	1
IC801	FA7610N	IC	1	
IC802	CXA1854AR	IC	1	
IC891	PQ20VZ1U	IC	1	
J1601	VEK7724	RFU	1	
L801	VLQ0319K470	COIL 47UH	1	
L802	VLQ0319F150	COIL 15UH	1	
L803	VLQ0163J470	COIL 47UH	1	
L804	VLQ0319K331	COIL 330UH	1	
L805	VLQ0163J470	COIL 47UH	1	
L806	ELJFA120JB	COIL	1	
L1601, 02	VLP0307	COIL	2	
PP1601	VJP3126B024	CONNECTOR (MALE)	24P	1
Q801	2SD1328-S	TRANSISTOR	1	
Q802	2SB1218	TRANSISTOR	1	
Q803	XN4601	TRANSISTOR-TRANSISTOR	1	
R801	ERJ3GEYJ684	M. RESISTOR CH 1/16W 680K	1	
R802	ERJ3GEYJ333	M. RESISTOR CH 1/16W 33K	1	
R803	ERJ3GEYJ184	M. RESISTOR CH 1/16W 180K	1	
R804	ERJ3GEYJ154	M. RESISTOR CH 1/16W 150K	1	
R805	ERJ3GEYG332	M. RESISTOR CH 1/16W 3.3K	1	
R806	ERJ3GEYJ563	M. RESISTOR CH 1/16W 56K	1	
R807	ERJ3GEYJ222	M. RESISTOR CH 1/16W 2.2K	1	
R808	ERJ3GEYJ101	M. RESISTOR CH 1/16W 100	1	
R810	ERJ3GEYG102	M. RESISTOR CH 1/16W 1K	1	
R812, 13	ERJ3GEYOR00	M. RESISTOR CH 1/16W 0	2	
R820-25	ERJ3GEYJ333	M. RESISTOR CH 1/16W 33K	6	
R826	ERJ3GEYOR00	M. RESISTOR CH 1/16W 0	1	
R827	ERJ3GEYJ333	M. RESISTOR CH 1/16W 33K	1	
R828	ERJ3GEYOR00	M. RESISTOR CH 1/16W 0	1	
R829	ERJ3GEY0472	M. RESISTOR CH 1/16W 4.7K	1	
R830-32	ERJ3GEYJ333	M. RESISTOR CH 1/16W 33K	3	
R833	ERJ3GEYJ153	M. RESISTOR CH 1/16W 15K	1	
R834, 35	ERJ3GEYJ183	M. RESISTOR CH 1/16W 18K	2	
R836	ERJ3GEYJ123	M. RESISTOR CH 1/16W 12K	1	
R837	ERJ3GEYJ273	M. RESISTOR CH 1/16W 27K	1	
R838	ERJ3GEYJ223	M. RESISTOR CH 1/16W 22K	1	
R839	ERJ3GEYJ333	M. RESISTOR CH 1/16W 33K	1	
R841	ERJ3GEYG682	M. RESISTOR CH 1/16W 6.8K	1	
R842	ERJ3GEYJ223	M. RESISTOR CH 1/16W 22K	1	
R843	ERJ3GEYOR00	M. RESISTOR CH 1/16W 0	1	

Ref. No.	Part No.	Part Name & Description	Pcs	Remarks
R844-47	ERJ3GEYJ333	M. RESISTOR CH 1/16W 33K	4	
R848	ERJ3GEYG102	M. RESISTOR CH 1/16W 1K	1	
R849	ERJ3GEYJ391	M. RESISTOR CH 1/16W 390	1	
R850	ERJ3GEYJ103	M. RESISTOR CH 1/16W 10K	1	
R851	ERJ3GEYOR00	M. RESISTOR CH 1/16W 0	1	
R853	ERJ3GEYJ103	M. RESISTOR CH 1/16W 10K	1	
R855	ERJ3GEYG102	M. RESISTOR CH 1/16W 1K	1	
R856	ERJ3GEYJ333	M. RESISTOR CH 1/16W 33K	1	
R857	ERJ3GEYOR00	M. RESISTOR CH 1/16W 0	1	
R858-60	ERJ3GEYJ103	M. RESISTOR CH 1/16W 10K	3	
R861-63	ERJ3GEYJ334	M. RESISTOR CH 1/16W 330K	3	
R864	ERJ3RHD1692	M. RESISTOR CH 1/16W 16.9K	1	
R865	ERJ3RBD153	M. RESISTOR CH 1/16W 15K	1	
R866	ERJ3GEYJ103	M. RESISTOR CH 1/16W 10K	1	
R890	ERJ3GEYG102	M. RESISTOR CH 1/16W 1K	1	
R892	ERJ3RBD222	M. RESISTOR CH 1/16W 2.2K	1	
R893	ERJ3GEYOR00	M. RESISTOR CH 1/16W 0	1	
R894	ERJ3RBD102	M. RESISTOR CH 1/16W 1K	1	
△ R1601	VSF0226D25T	FUSE	1	
R1602	ERJ3GEYJ474	M. RESISTOR CH 1/16W 470K	1	
R1603	ERJ3GEYJ564	M. RESISTOR CH 1/16W 560K	1	
R1690	ERJ3GEYJ683	M. RESISTOR CH 1/16W 68K	1	
R1726, 27	ERJ3GEYJ122	M. RESISTOR CH 1/16W 1.2K	2	
SW1695	VSQ0851	SWITCH	1	
SW1696	VSS0392	SWITCH	1	
T801	ELL7SRD007	CHOKE COIL	1	
VR802-06	EVM7JGA00B24	V. RESISTOR 20K	5	
VR808	EVM7JGA00B24	V. RESISTOR 20K	1	
VR809	EVM7JGA00B52	V. RESISTOR 500	1	
VR810	EVM7JGA00B24	V. RESISTOR 20K	1	
X801	VSX0672	CRYSTAL OSCILLATOR	1	
		MISCELLANEOUS		
	VSC4457	EVF SHIELD COVER (TOP)	1	
	VSC4458	EVF SHIELD COVER (BOTTOM)	1	
	VMP4952	DC JACK EARTH ANGLE	1	
■ VEP28228C		E. V. F. (B) C. B. A.		(RTL)
G893	VCEZOJAU156Z	E. CAPACITOR 6.3V	1	
FP802	VJS3319B022	CONNECTOR (FEMALE)	22P	1
FP803	VJS3452A016	CONNECTOR (FEMALE)	16P	1
L891	VLQ0770	COIL	1	
PP801	VJP3172D003	CONNECTOR (MALE)	3P	1
R889	ERJ3GEYJ181	M. RESISTOR CH 1/16W 180	1	
Z801	VL2020/1HF	LITHIUM BATTERY	1	
■ VEP28230A		E. V. F. (C) C. B. A.		(RTL)
BL891	VLL0192	BACK LIGHT	1	
Q891	2SK1299-3S	TRANSISTOR	1	
R891	ERJ3GEYJ473	M. RESISTOR CH 1/16W 47K	1	
△ T891	ETJ09K14AM	TRANSFORMER	1	
		MISCELLANEOUS		
	VGQ4177	BACK LIGHT HOLDER	1	
	VEE9796	WIRE CABLE	1	
■ VEP22140B		CGD FLEX. CARD C. B. A.		(RTL)

Ref. No.	Part No.	Part Name & Description	Pcs	Remarks
B291	VJS3500C012	CONNECTOR (FEMALE) 12P	1	
C292	EGST1VX225Z	T. CAPACITOR CH 35V 2.2U	1	
C294	ECUM1H473KBN	G. CAPACITOR CH 50V 0.047U	1	
C295	ECUM1E104ZFN	G. CAPACITOR CH 25V 0.1U	1	
D291	MA153	DIODE	1	
Q291	2SG2295	TRANSISTOR	1	
R291	ERJ66YG560	M. RESISTOR CH 1/10W 56	1	
R292	ERJ66EYF472	M. RESISTOR CH 1/10W 4.7K	1	
R293	ERJ66EYOR00	M. RESISTOR CH 1/10W 0	1	
		MISCELLANEOUS		
	VJB22140	FLEX CARD	1	
	■ VEK8084	LENS FLEX. CARD C.B.A		(RTL)
		MISCELLANEOUS		
	ON1004-R	PHOTO INTERRUPTER	1	
	■ VEK8170	MIC UNIT		(RTL)
C4801	ECUX1C683KBV	G. CAPACITOR CH 16V 0.068U	1	
C4803_04	ECUX1E223KBV	G. CAPACITOR CH 25V 0.022U	2	
C4806	ECUX1H472KBV	G. CAPACITOR CH 50V 4700P	1	
C4807	ECST1GY105Z	T. CAPACITOR CH 16V 1U	1	
C4808	ECUX1H103KBV	G. CAPACITOR CH 50V 0.01U	1	
C4809	ECEAOJKS470	E. CAPACITOR 6.3V 47U	1	
C4810	ECUM1H102KBN	G. CAPACITOR CH 50V 1000P	1	
C4811	ECUX1H822KBV	G. CAPACITOR CH 50V 8200P	1	
C4813	ECUX1H103KBV	G. CAPACITOR CH 50V 0.01U	1	
C6801	ECSTOJY106Z	T. CAPACITOR CH 6.3V 10U	1	
C6802	ECUX1H103KBV	G. CAPACITOR CH 50V 0.01U	1	
D6801	BR2202S-20B1	DIODE	1	
D6802	PH310	DIODE	1	
FP4801	VJS3623A014W	CONNECTOR (FEMALE) 14P	1	
IC6801	RPM6937-L	IC	1	
J4801	VJJ0289	MIC JACK	1	
PP4802	VJP3331B004	CONNECTOR (MALE) 4P	1	
Q4801-05	2SD601A	TRANSISTOR	5	
R4801	ERJ66EYG102	M. RESISTOR CH 1/10W 1K	1	
R4802	ERJ66EYG222	M. RESISTOR CH 1/10W 2.2K	1	
R4803_04	ERJ66EYG683	M. RESISTOR CH 1/10W 68K	2	
R4805	ERJ66EYF123	M. RESISTOR CH 1/10W 12K	1	
R4806	ERJ66EYG182	M. RESISTOR CH 1/10W 1.8K	1	
R4807	ERJ66EYG102	M. RESISTOR CH 1/10W 1K	1	
R4808	ERJ66EYJ471	M. RESISTOR CH 1/10W 470	1	
R4809	ERJ66EYF124	M. RESISTOR CH 1/10W 120K	1	
R4810	ERJ66EYG184	M. RESISTOR CH 1/10W 180K	1	
R4811	ERJ66EYF822	M. RESISTOR CH 1/10W 8.2K	1	
R4812	ERJ66EYF561	M. RESISTOR CH 1/10W 560	1	
R4813	ERJ66EYG332	M. RESISTOR CH 1/10W 3.3K	1	
R4814	ERJ66EYG103	M. RESISTOR CH 1/10W 10K	1	
R6801	ERJ86EYJ330	M. RESISTOR CH 1/8W 33	1	
R6802	ERJ66EYG181	M. RESISTOR CH 1/10W 180	1	
R6803_04	ERJ36EYG102	M. RESISTOR CH 1/16W 1K	2	
S6802_03	EVQ6QF02K	SWITCH	2	
W4801	VWJ0121	FLAT CARD CABLE	1	
		MISCELLANEOUS		
	VGQ4407	PCB HOLDER	1	

Ref. No.	Part No.	Part Name & Description	Pcs	Remarks
	■ VEP23442A	DIGITAL FLEX. CARD C.B.A		(RTL)
D390-92	LN1251CAL	DIODE	3	
SW391_92	EVQPA601K	SWITCH	2	
	■ VEPO0Y39A	AV JACK C.B.A		(RTL)
C1501	ECUX1H102KBV	G. CAPACITOR CH 50V 1000P	1	
C1502	ECUX1H222KBV	G. CAPACITOR CH 50V 2200P	1	
C1503	ECUX1H103KBV	G. CAPACITOR CH 50V 0.01U	1	
C1504	ECYX1H821JCV	G. CAPACITOR CH 50V 820P	1	
C1505	EGUX1H103KBV	G. CAPACITOR CH 50V 0.01U	1	
C1510	ECUX1H103KBV	G. CAPACITOR CH 50V 0.01U	1	
D1501	MA153	DIODE	1	
FP1501	VJS2582B009	CONNECTOR (FEMALE) 9P	1	
J1501	VEJ1376	AV JACK PLATE	1	
R1501	ERJ66EYG331	M. RESISTOR CH 1/10W 330	1	
W1501	ERJ66EYOR00	M. RESISTOR CH 1/10W 0	1	
W1505-07	ERJ66EYGR00	M. RESISTOR CH 1/10W 0	3	
		MISCELLANEOUS		
	VMP5124	AV EARTH ANGLE	1	
	VEE0808	WIRE CABLE	1	
	■ VXP1828	MF RING UNIT		(RTL)
PG710_11	SG-211S	PHOTO INTERRUPTER	2	
		MISCELLANEOUS		
	XON16+CJ5FZ	SCREW	4	

Memo

INTERNAL REFERENCE CODES

NOTE: This chart is only for internal reference.
Do not order any parts according to these codes.

C.B.A.	FILM CODE
AV JACK	HOYT01-00Y39
CAMERA/MAIN	HOYT01-23434
MF SENSOR	HOYT01-00Y08
CCD FLEXIBLE CARD	HOYT00-22140
MIC/FRONT	HOYT00-00Y31
EVF (A)	HOYT00-28227
EVF (B)	HOYT00-28228
EVF (C)	HOYT00-28230

1030

Panasonic
MATSUSHITA ELECTRIC